



**MORE POWER  
LESS SPACE™**

# unigy II®

*Tomorrow's energy systems...today*

**AVR45**



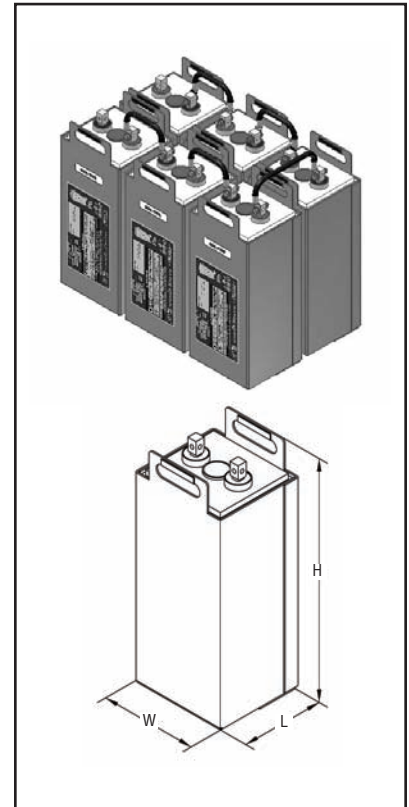
## Features and Benefits

- **Container and Cover:**  
Impact-resistant polypropylene 28% L.O.I. (Optional)
- **Separators:** Microporous glass mat
- **Plates formed with IPF™** technology to assure consistent cell to cell performance
- **Shipped at 100% Capacity**
- **Cycle Life:** 2400 cycles @ 20% DOD
- **Modules coated and protected with a thick layer of powdered epoxy**
- **Terminals:** Lead plated solid copper

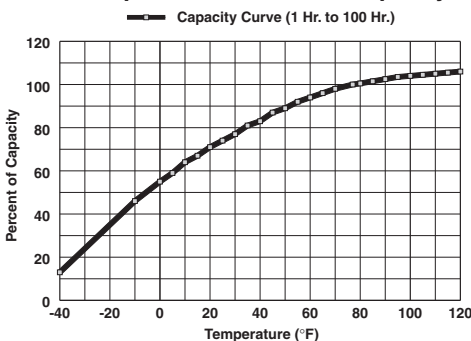


CELL TYPE	AMP HR.	Ratings in Amperes at 77°F (25°C) to											
		1.75 v.p.c.				1.78 v.p.c.				1.81 v.p.c.			
		8 HR.	10 HR.	24 HR.	100 HR.	8 HR.	10 HR.	24 HR.	100 HR.	8 HR.	10 HR.	24 HR.	100 HR.
AVR45-5	91	11.4	9.60	4.58	1.21	11.3	9.49	4.52	1.21	11.2	9.34	4.49	1.20
AVR45-7	137	17.1	14.4	6.88	1.81	17.0	14.2	6.79	1.81	16.8	14.0	6.73	1.80
AVR45-9	183	22.9	19.2	9.17	2.42	22.6	19.0	9.05	2.41	22.4	18.7	8.98	2.39
AVR45-11	229	28.6	24.0	11.5	3.02	28.3	23.7	11.3	3.01	27.9	23.4	11.2	2.99
AVR45-13	274	34.3	28.8	13.8	3.63	34.0	28.5	13.6	3.62	33.5	28.0	13.5	3.59
AVR45-15	320	40.0	33.6	16.0	4.23	39.6	33.2	15.8	4.22	39.1	32.7	15.7	4.19
AVR45-17	366	45.7	38.4	18.3	4.84	45.3	37.9	18.1	4.82	44.7	37.4	18.0	4.79
AVR45-19	411	51.4	43.2	20.6	5.44	50.9	42.7	20.4	5.42	50.3	42.0	20.2	5.39
AVR45-21	457	57.1	48.0	22.9	6.05	56.6	47.4	22.6	6.03	55.9	46.7	22.4	5.99
AVR45-23	503	62.9	52.8	25.2	6.65	62.3	52.2	24.9	6.63	61.5	51.4	24.7	6.58
AVR45-25	549	68.6	57.6	27.5	7.26	67.9	56.9	27.1	7.23	67.1	56.1	26.9	7.18
AVR45-27	594	74.3	62.4	29.8	7.86	73.6	61.7	29.4	7.84	72.7	60.7	29.2	7.78
AVR45-29	640	80.0	67.2	32.1	8.47	79.2	66.4	31.7	8.44	78.2	65.4	31.4	8.38
AVR45-31	686	85.7	72.0	34.4	9.07	84.9	71.1	33.9	9.04	83.8	70.1	33.7	8.98
AVR45-33	731	91.4	76.8	36.7	9.68	90.6	75.9	36.2	9.64	89.4	74.7	35.9	9.58

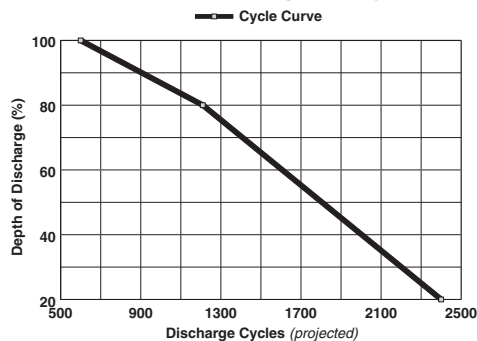
CELL TYPE	AVR45 Single Cell Can Dimensions							
	Length		Width		Height		Weight	
	in.	mm.	in.	mm.	in.	mm.	lb.	kg.
AVR45-5	2.25	57.2	6.70	170.1	16.11	409.1	26	12
AVR45-7	3.00	76.1	6.70	170.1	16.11	409.1	34	15
AVR45-9	3.75	95.1	6.70	170.1	16.11	409.1	42	19
AVR45-11	4.50	114.2	6.70	170.1	16.11	409.1	50	23
AVR45-13	5.25	133.2	6.70	170.1	16.11	409.1	58	26
AVR45-15	6.00	152.3	6.70	170.1	16.11	409.1	66	30
AVR45-17	6.75	171.3	6.70	170.1	16.11	409.1	74	34
AVR45-19	7.50	190.4	6.70	170.1	16.11	409.1	82	37
AVR45-21	8.25	209.4	6.70	170.1	16.11	409.1	90	41
AVR45-23	9.00	228.5	6.70	170.1	16.11	409.1	98	44
AVR45-25	9.75	247.5	6.70	170.1	16.11	409.1	106	48
AVR45-27	10.50	266.6	6.70	170.1	16.11	409.1	114	52
AVR45-29	11.25	285.6	6.70	170.1	16.11	409.1	122	56
AVR45-31	12.00	304.7	6.70	170.1	16.11	409.1	130	59
AVR45-33	12.75	323.7	6.70	170.1	16.11	409.1	138	63



### Temperature Effects on Capacity



### Depth of Discharge vs. Cycles



QUALITY SYSTEM  
CERTIFIED TO  
**ISO 9001**  
**ISO/TS 16949**  
**ISO 14001**



**"POWERED FOR PERFORMANCE"®**

DISTRIBUTED BY:

**EAST PENN manufacturing co., inc.**

Lyon Station, PA 19536-0147 • Phone: 610-682-6361 • Fax: 610-682-4781

Order Department Hotline: 610-682-3263

www.eastpennunigy.com • e-mail: sales@eastpennunigy.com

E.P.M. Form No. 1359 4/10 © 2010 by EPM Printed in U.S.A.

All data subject to change without notice.  
No part of this document may be copied or reproduced, electronically  
or mechanically, without written permission from the company.