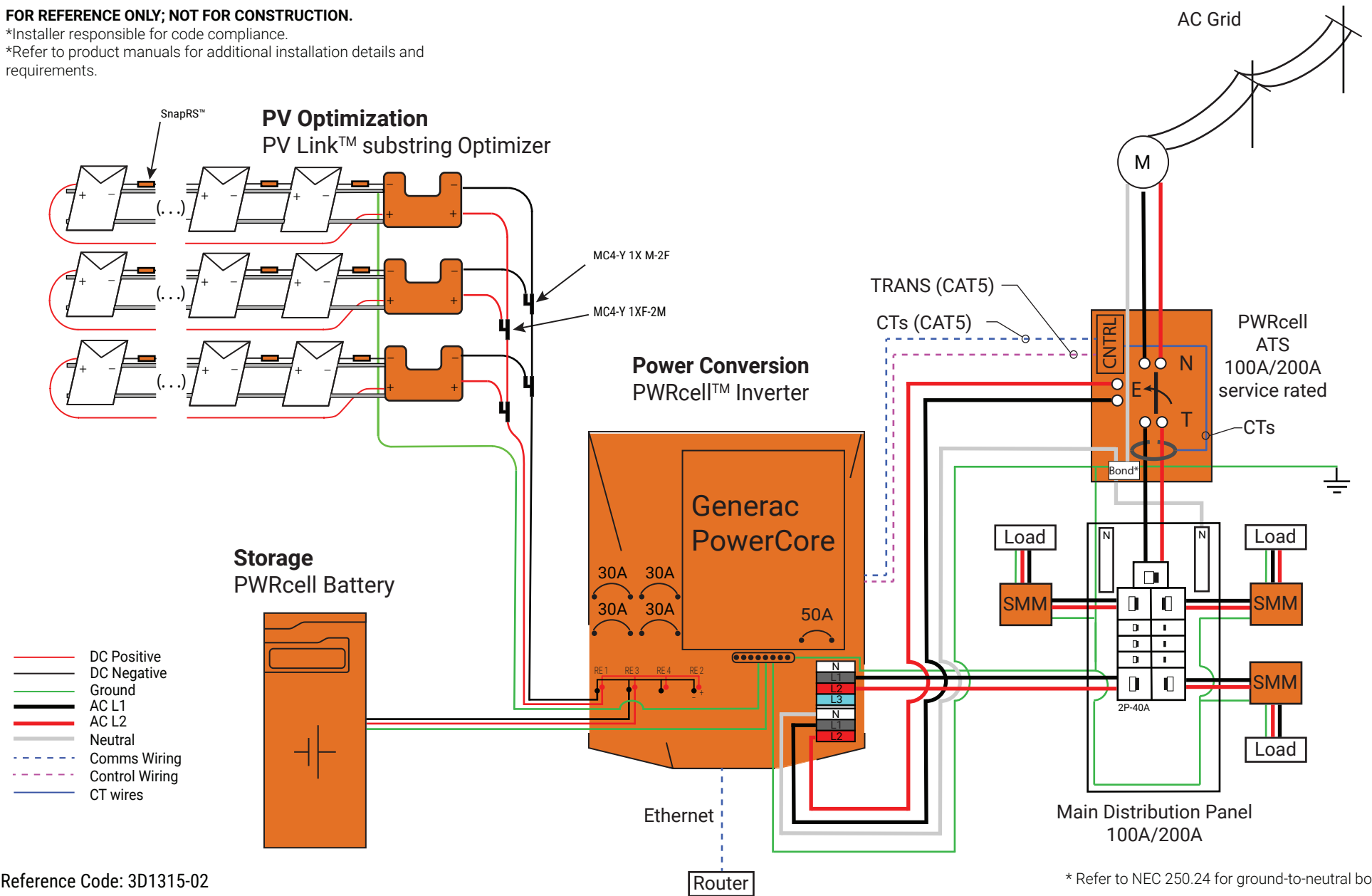


FOR REFERENCE ONLY; NOT FOR CONSTRUCTION.

*Installer responsible for code compliance.

*Refer to product manuals for additional installation details and requirements.



* Refer to NEC 250.24 for ground-to-neutral bonding.

This design shows the Generac PWRcell Whole Home Backup solution. This solution allows for load management capability using Generac SMMs to shed 240V loads as needed.

This configuration is acceptable with most 100A and 200A residential services.

Whole Home Backup

- 1 PWRcell Inverter
- N SnapRS™
- 3 PV Links
- 1 PWRcell Batteries
- 1 CT Kit (incl.)
- N PV Modules
- 1 PWRcell ATS
- 3 SMMs

