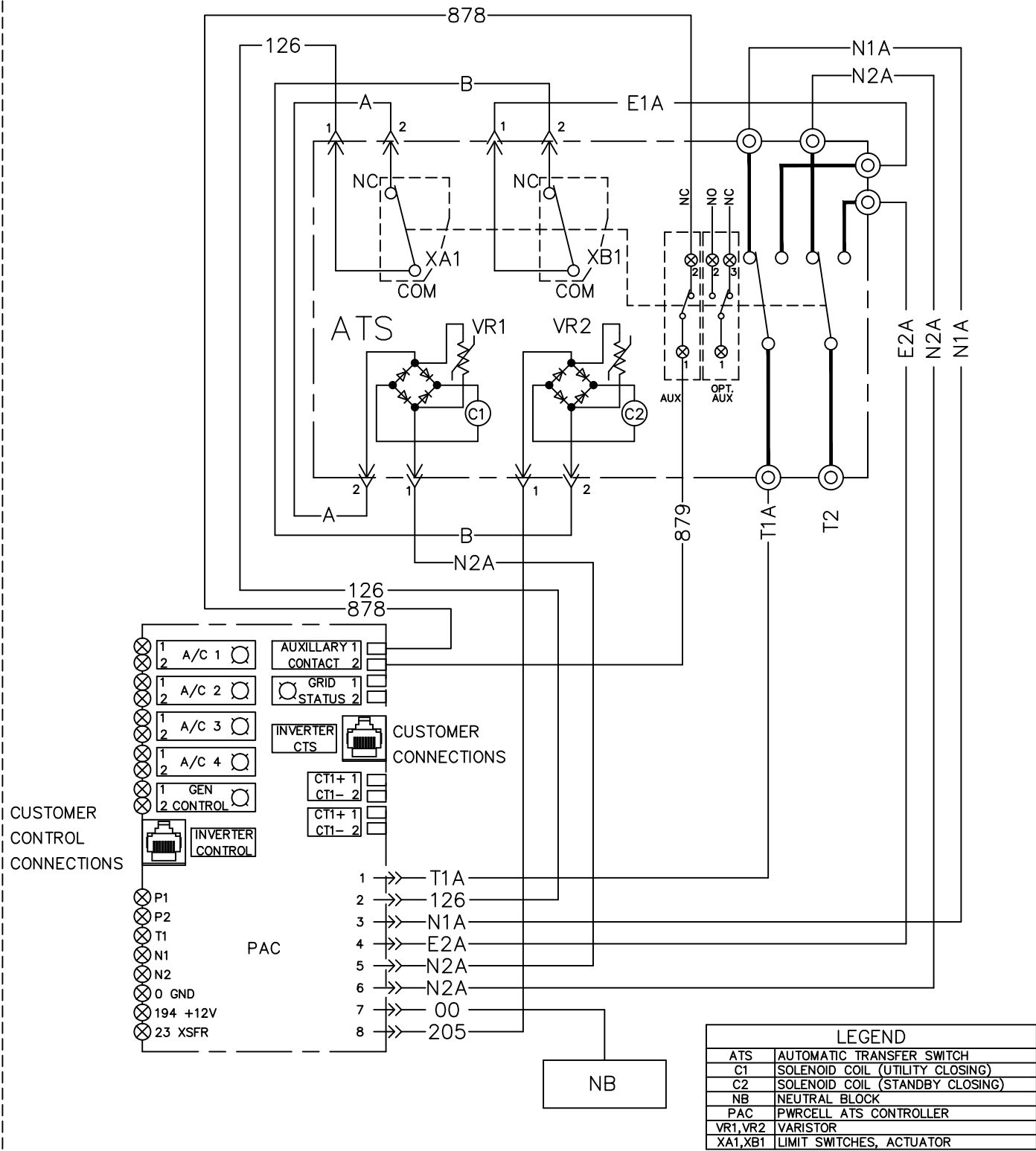


# GROUP G

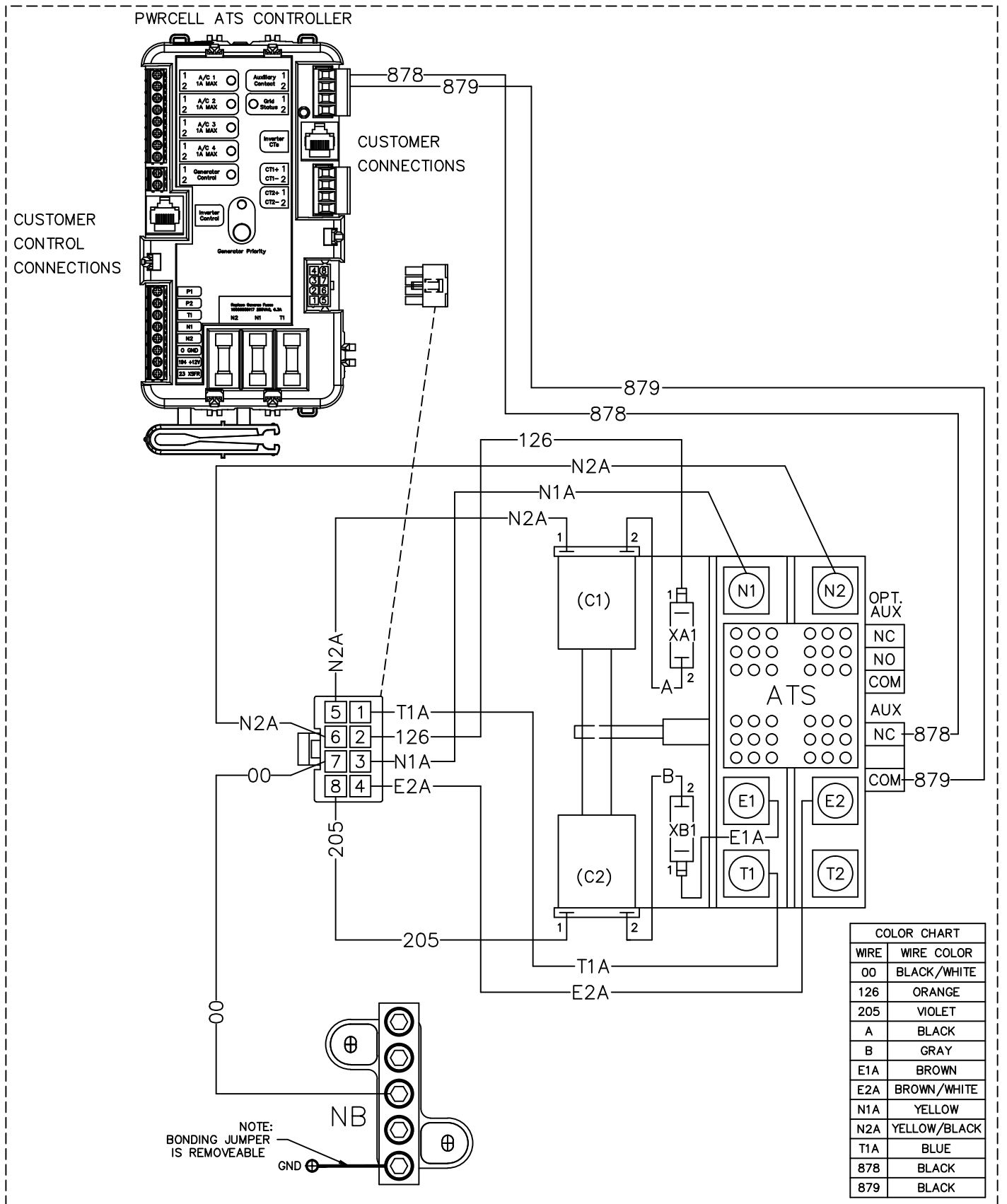
NOTE:  
ALL CONTACTS SHOWN WITH  
TRANSFER SWITCH IN UTILITY  
POSITION.



REVISION: -A-  
DATE: 6/23/20

SCHMATIC - DIAGRAM  
SD/WD PWRCELL NON SE XFER SW 100-200A  
DRAWING #: A0000677855

# GROUP G



REVISION: -A-  
DATE: 6/23/20

WIRING - DIAGRAM  
SD added PWRCELL NON SE XFER SW 100-200A  
DRAWING #: A0000677855