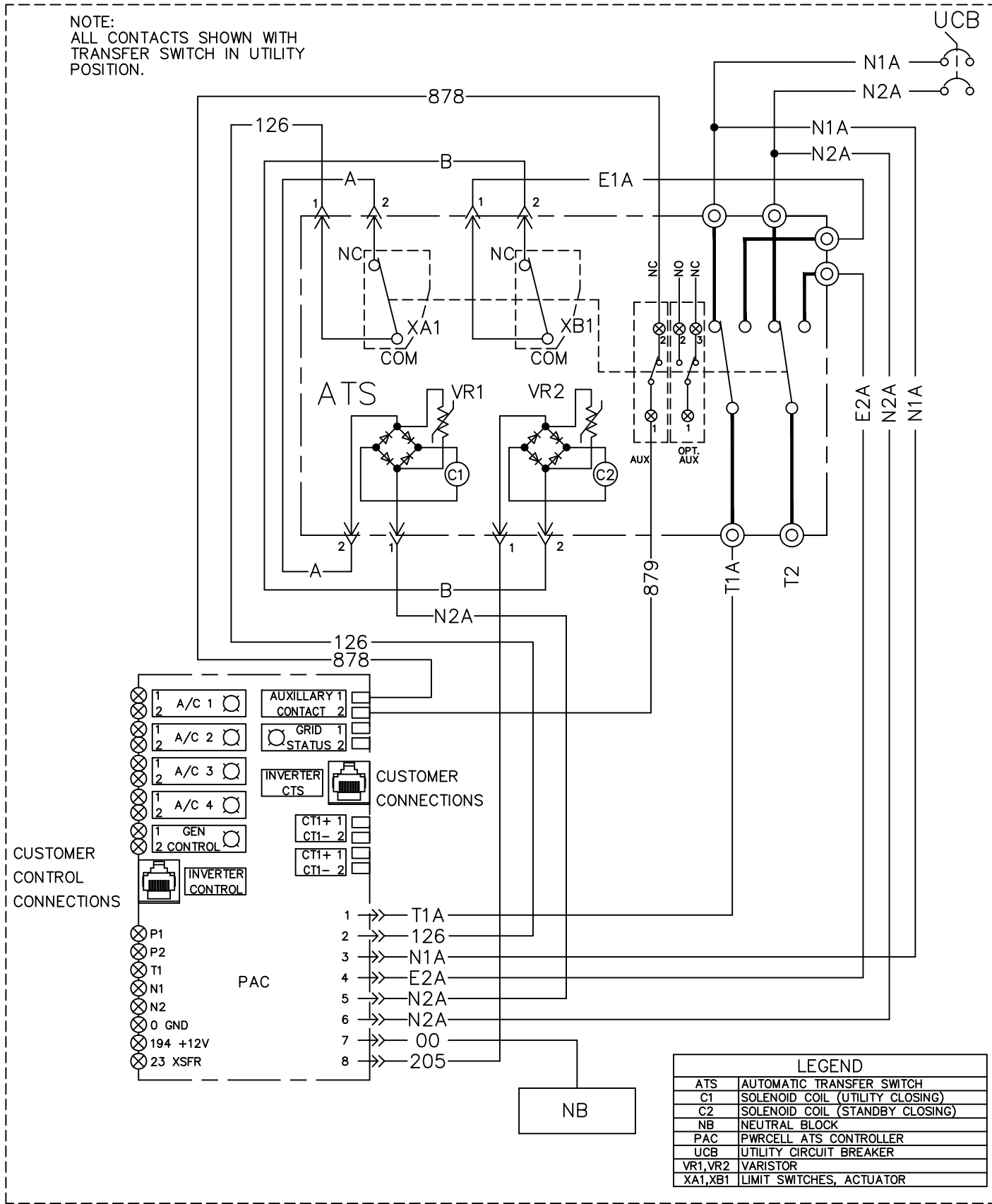


GROUP G

NOTE:
ALL CONTACTS SHOWN WITH
TRANSFER SWITCH IN UTILITY
POSITION.

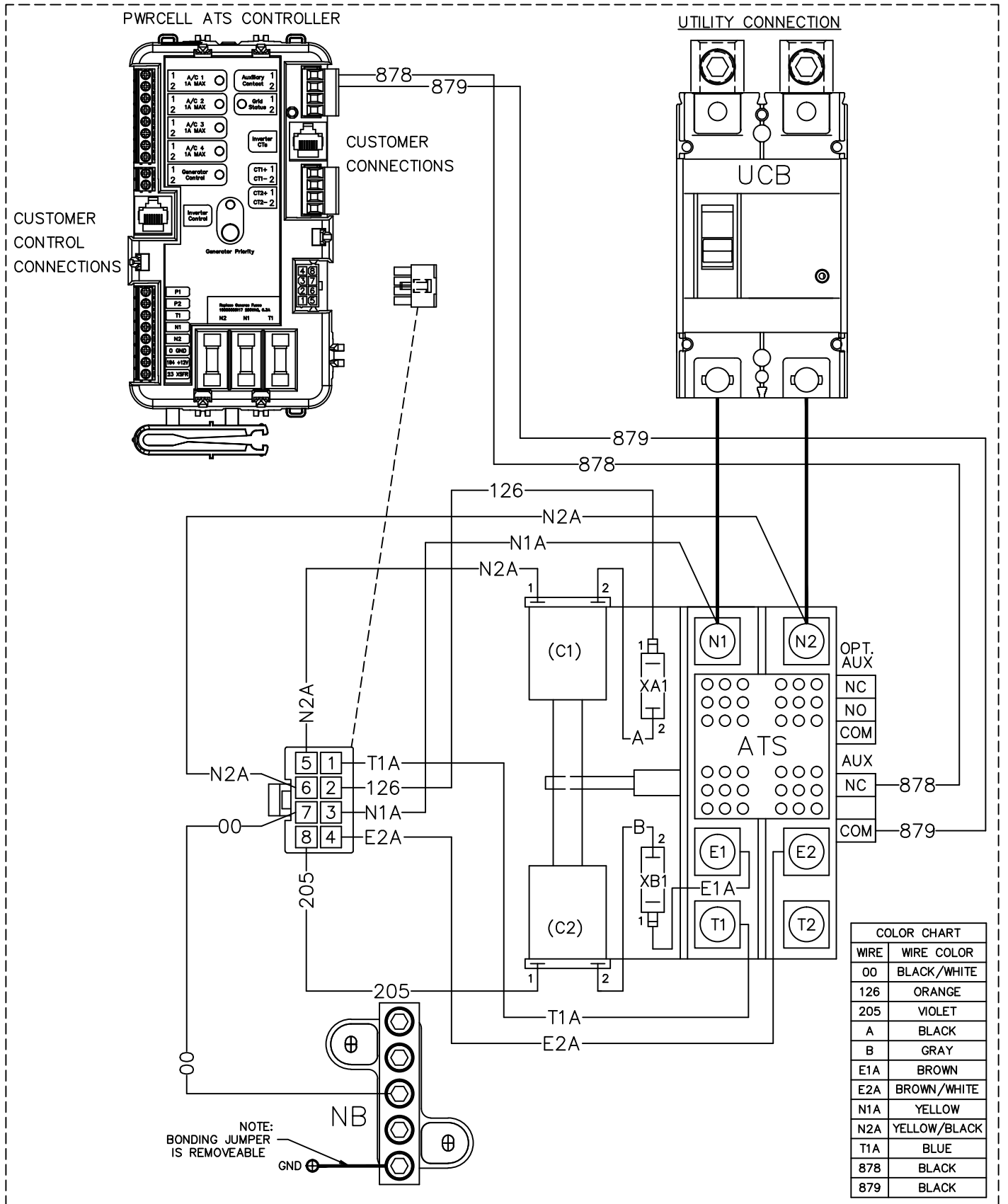


LEGEND	
ATS	AUTOMATIC TRANSFER SWITCH
C1	SOLENOID COIL (UTILITY CLOSING)
C2	SOLENOID COIL (STANDBY CLOSING)
NB	NEUTRAL BLOCK
PAC	PWRCELL ATS CONTROLLER
UCB	UTILITY CIRCUIT BREAKER
VR1,VR2	VARIATOR
XA1,XB1	LIMIT SWITCHES, ACTUATOR

REVISION: -A-
DATE: 6/23/20

SCHMATIC - DIAGRAM
SD/WD PWRCELL SE XFER SW 100-200A
DRAWING #: A0000647232

GROUP G



REVISION: -A-
DATE: 6/23/20

WIRING - DIAGRAM
SD/WD PWRCELL SE XFER SW 100-200A
DRAWING #: A0000647232