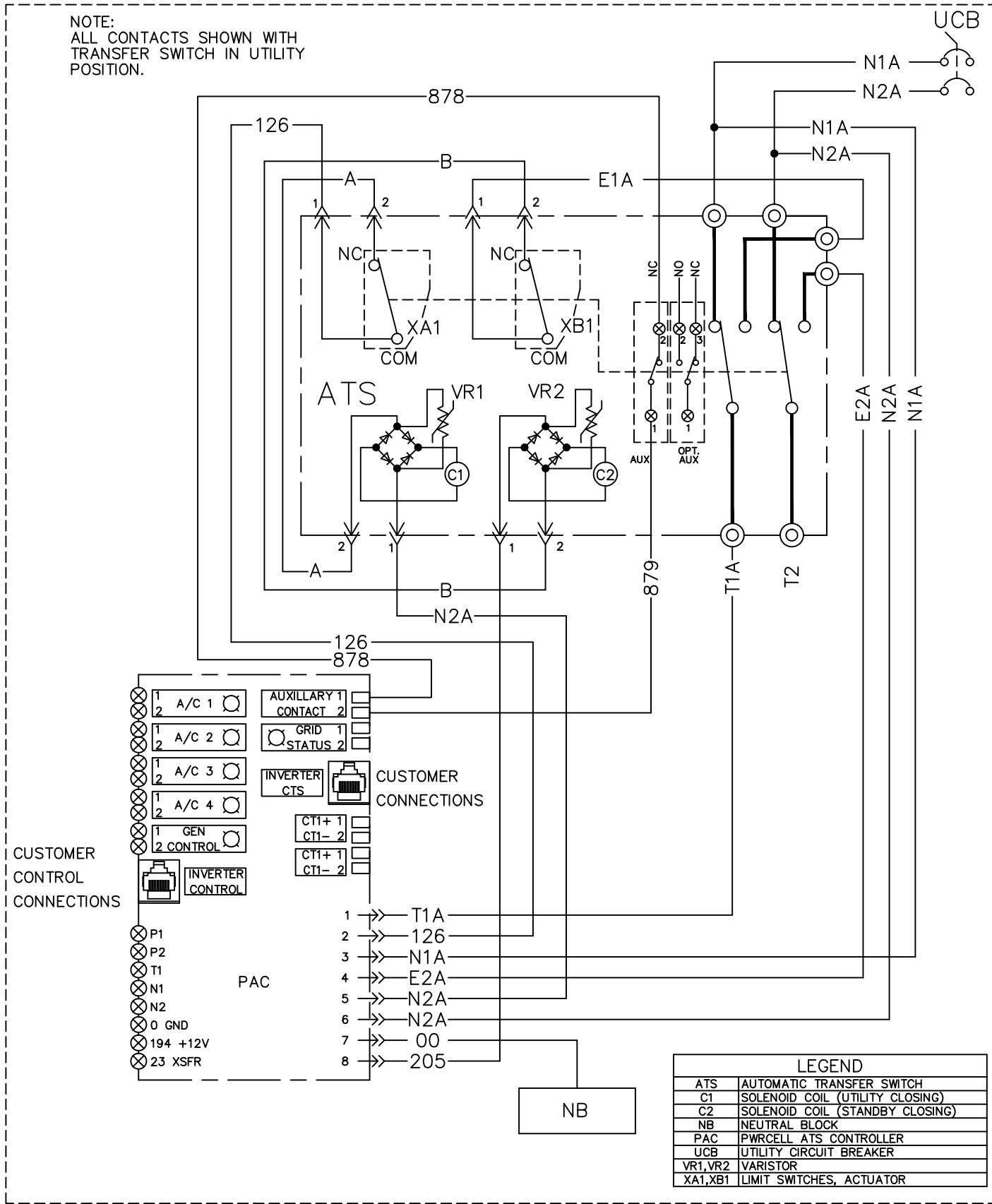


# GROUP G

NOTE:  
ALL CONTACTS SHOWN WITH  
TRANSFER SWITCH IN UTILITY  
POSITION.

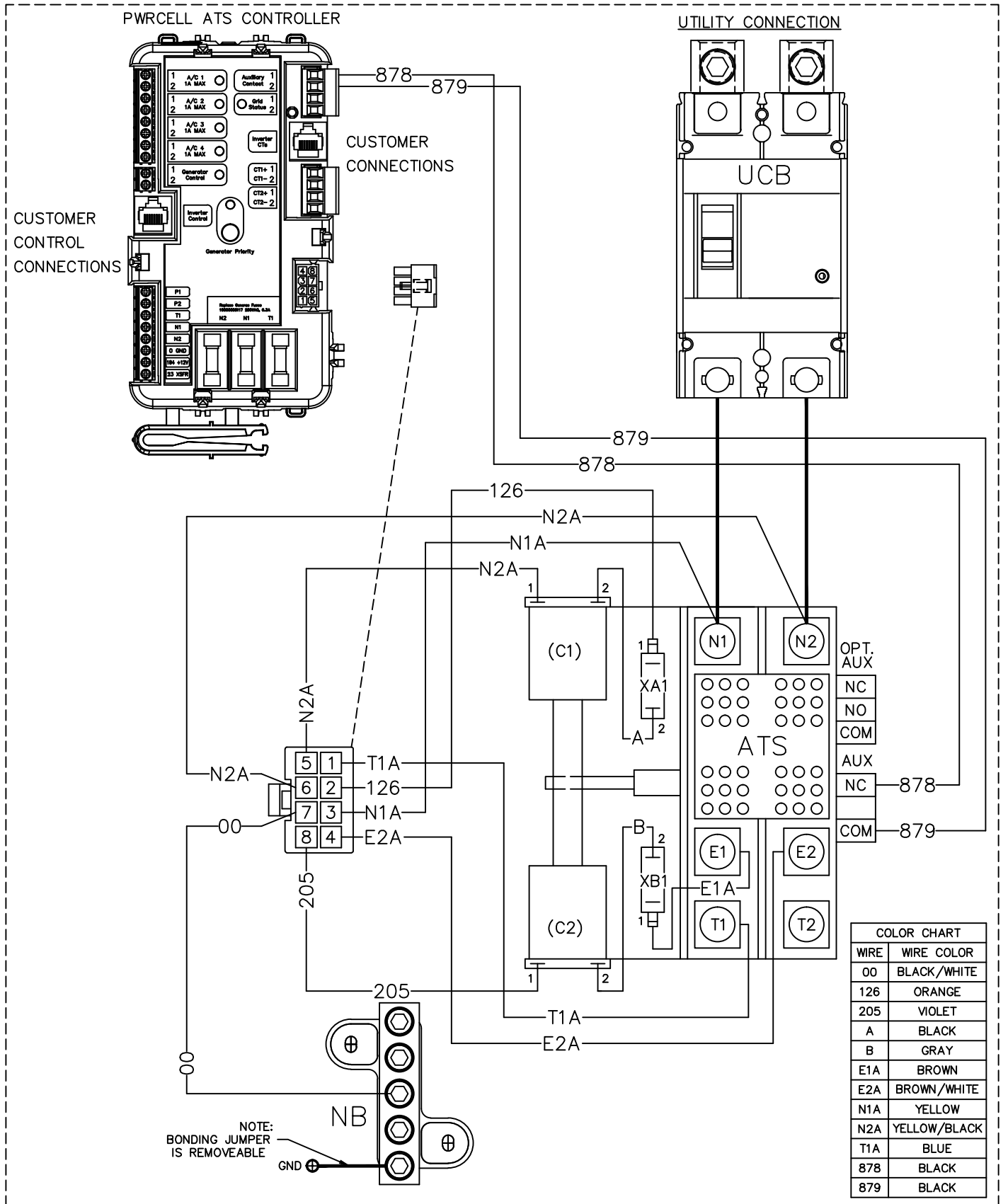


LEGEND	
ATS	AUTOMATIC TRANSFER SWITCH
C1	SOLENOID COIL (UTILITY CLOSING)
C2	SOLENOID COIL (STANDBY CLOSING)
NB	NEUTRAL BLOCK
PAC	PWRCELL ATS CONTROLLER
UCB	UTILITY CIRCUIT BREAKER
VR1,VR2	VARISTOR
XA1,XB1	LIMIT SWITCHES, ACTUATOR

REVISION: -A-  
DATE: 6/23/20

SCHMATIC - DIAGRAM  
SD/WD PWRCELL SE XFER SW 100-200A  
DRAWING #: A0000647232

# GROUP G



REVISION: -A-  
DATE: 6/23/20

WIRING - DIAGRAM  
SD added PWRCELL SE XFER SW 100-200A  
DRAWING #: A0000647232