

Connector Pin Assignment

System Overview

Connector Pin Assignment Table

4 Pin Connector*	Function
1	AC Voltage 1 - HOT
2	AC Voltage 1 - NEUTRAL
3	AC Voltage 2 - NEUTRAL
4	AC Voltage 2 - HOT
8 Pin Connector**	Function
1 Required Connection	DC Negative
2 Required Connection	DC Positive
3	Relay DC Out to Load
4	Relay DC +
5	AC 1 Current Transformer -
6	AC 1 Current Transformer +
7	AC 2 Current Transformer -
8	AC 2 Current Transformer +
USB	Micro USB Port

*The 4 pin high voltage connector supports wire sizes from 12-24 AWG
 **The 8 pin low voltage connector supports wire sizes from 16-26 AWG

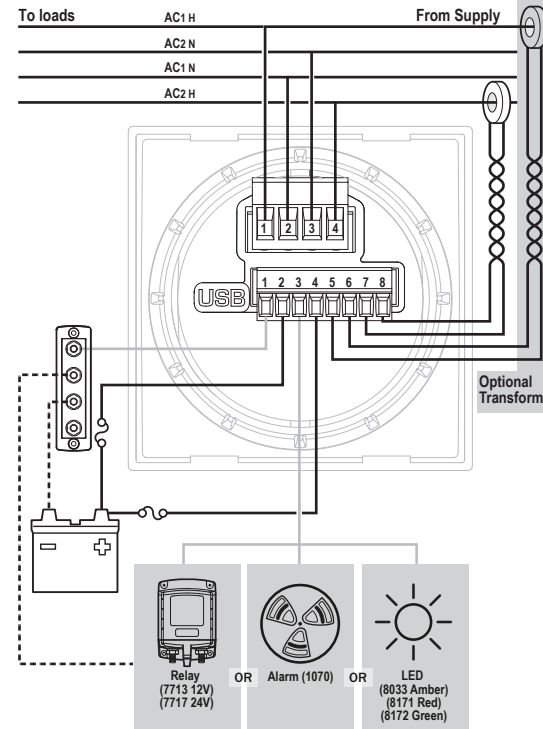
M2 Meter Navigation

Screen Menu Functions

Press any button to bring up the menu.

1. After start-up, press any button to access the menu.
2. Press the UP or DOWN arrow buttons to scroll through menu windows.
3. Press the NEXT button to scroll right.
4. To set alarms and for more detailed information, see the online manual at www.blueseas.com/products/1838

1838 AC Multimeter Connections



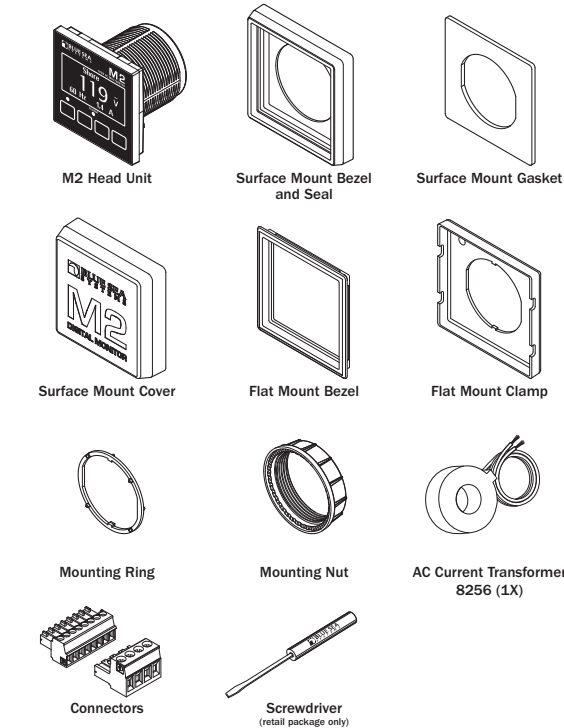
For the online manual that includes other configurations, go to www.blueseas.com/products/1838

M2 OLED Digital Monitor

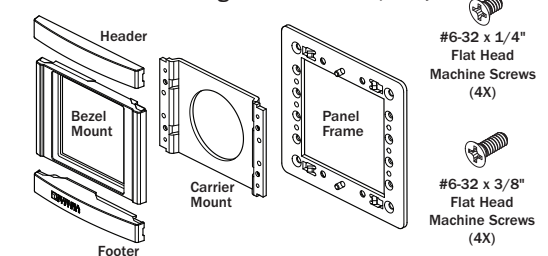
QuickStart Installation Guide

1838 AC Multimeter

Components Included



360 Panel Mounting Kit PN 1525 sold separately



www.blueseas.com/products/1838

WARNING

The WARNING symbol refers to possible injury to the user or significant damage to the monitor if the user does not follow the procedures.

CAUTION

The CAUTION symbol refers to restrictions and rules with regard to preventing damage.

WARNING

- ✓ If you are not knowledgeable about electrical systems, have an electrical professional install this unit. The diagrams in these instructions pertain to the installation of the unit and not to the overall wiring of the vessel.
- ✓ Verify that all AC sources are disconnected before connecting or disconnecting the Current Transformer (CT). Failure to do so will generate lethal voltages on the CT.
- ✓ If an inverter is installed on the vessel, its power leads must be disconnected at the battery before the unit is installed. Many inverters have a "sleep mode" in which their voltage potential may not be detectable with measuring equipment.
- ✓ If an AC generator is installed on the vessel, it must be stopped and rendered inoperable before the unit is installed.
- ✓ Verify that no other DC or AC sources are connected to the vessel's wiring before installing the unit.
- ✓ If the unit must be removed, connect the CT leads together before restoring power to the AC system.

CAUTION

- ✓ The back of the unit is not waterproof. Do not install where the back of the monitor is exposed to water.

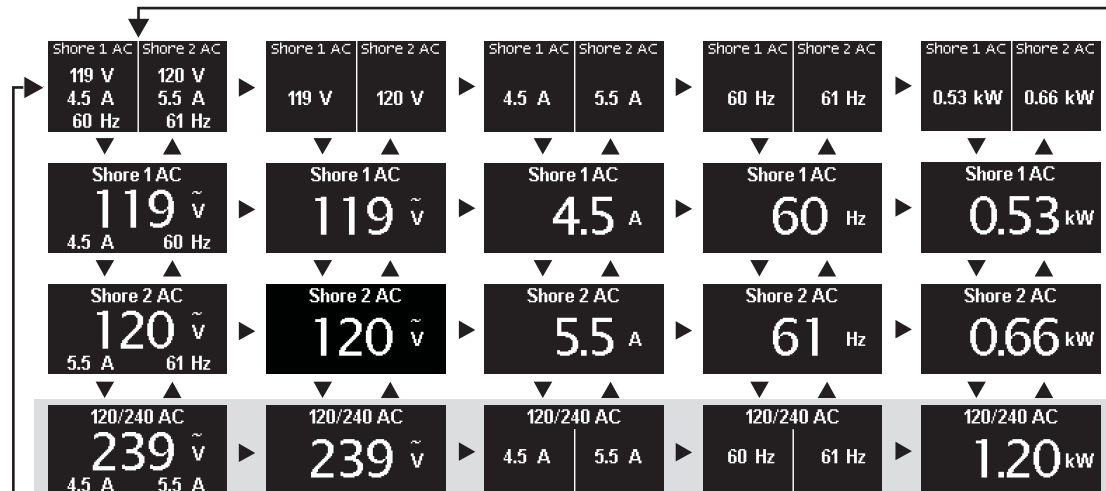
Warranty

The M2 OLED Digital Meters come with a 5 year manufacturer's warranty. This means the meter is warranted to be free from defects in materials or workmanship for 5 years from the date of first purchase. The warranty is limited solely to the cost of repair or replacement of the M2 Meter product. Costs associated with labor or shipping of the defective parts are not covered. Blue Sea Systems cannot accept liability for damage due to the misuse of the M2 Meter.



425 Sequoia Drive
 Bellingham, WA 98226 USA
www.blueseas.com
 p 360.738.8230
conductor@blueseas.com

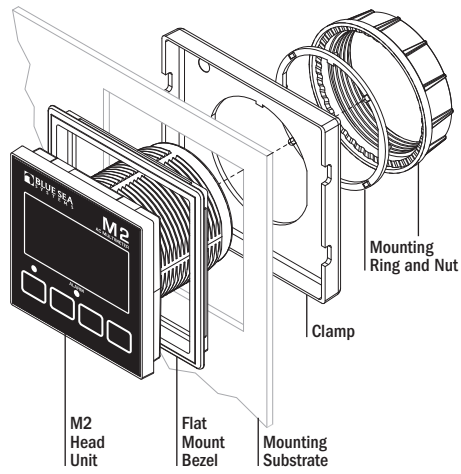
980019960 Rev.002



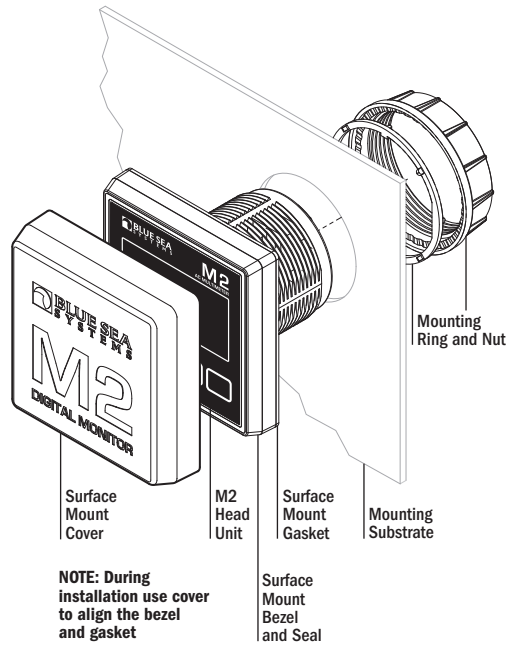
NOTE: The 1838 comes with the 120/240 AC screen disabled. This display can be enabled by pressing:
 Menu → Setup → 120/240 Setup → Enable

Mounting Options

Flat Mount

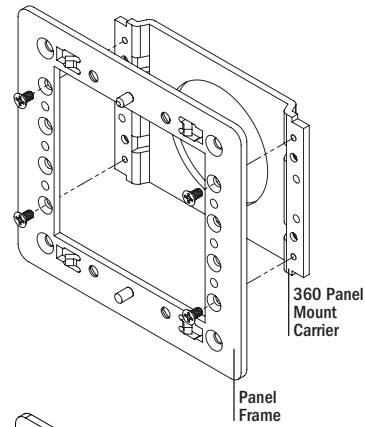


Surface Mount

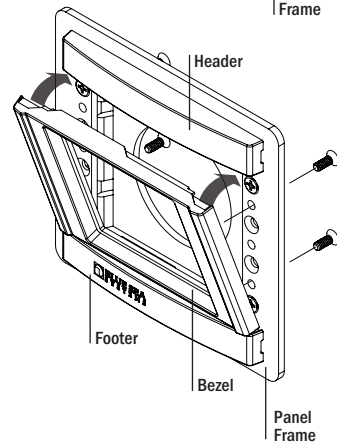


360 Panel Mount PN 1525 (If retrofit to existing panel)

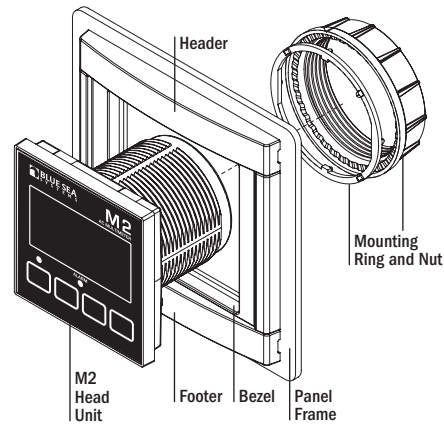
STEP 1
Use 1/4" Mounting Screws



STEP 2
Snap header and footer into mounting clips and post. Snap the mounting bezel into place with the flat edge up.



STEP 3



Mounting Templates

