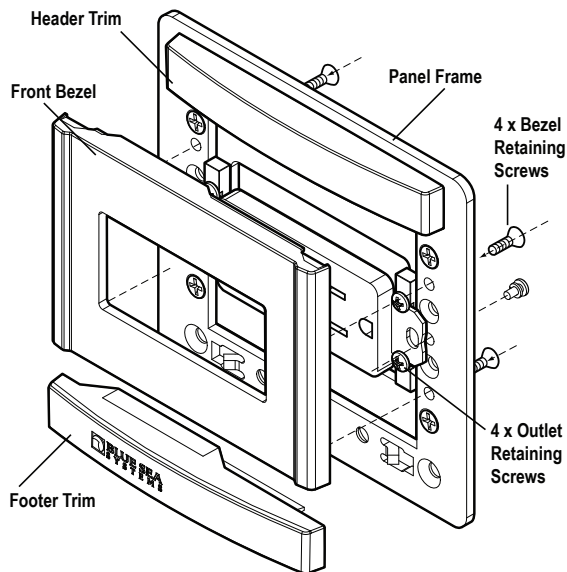


## AC Dual Outlet 360 Panel Blank

(outlet not included)  
PN 1479100



**GUARANTEE:** Blue Sea Systems stands behind its products for as long as you own them. Find detailed information at [www.blueseasystems.com/about](http://www.blueseasystems.com/about). For customer service, call 800.222.7617.

Blue Sea Systems, Inc.  
425 Sequoia Drive  
Bellingham, WA 98226 USA

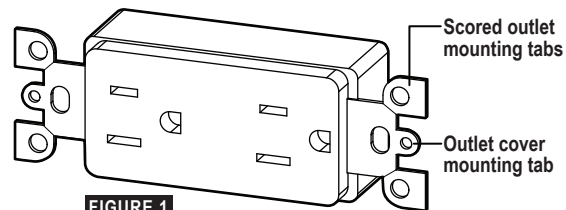
p 360.738.8230  
f 360.734.4195  
conductor@blueseasystems.com  
[www.blueseasystems.com](http://www.blueseasystems.com)

980014050 Rev. 001

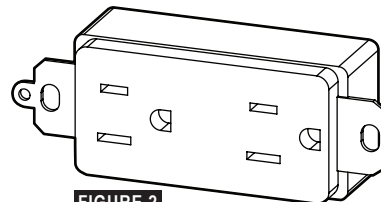
## Installation

### Install outlet.

1. Disconnect all AC and DC power.
2. Remove outlet mounting screws and screw retainers.
3. Snap off the four scored outlet mounting tabs. (see illustration below)
4. Cut off one outlet cover mounting tab. This tab may interfere with the frame ground screw. (see illustration below)
5. Connect wiring as specified by outlet manufacturer and ABYC standards.
6. From front, place outlet and install four outlet retaining screws. Tighten to five inch-pounds. Do not over tighten.
7. Install front bezel.
8. From rear, install four bezel retaining screws.
9. Install insulating rear cover (optional 1331).
10. Reconnect power and test outlet.



**FIGURE 1**



**FIGURE 2**

Outlet is ready to install into the 360 Panel PN 1479100