

Xantrex BLE Module Quickstart Guide

PN: 808-0889 <http://www.xantrex.com>



⚡ DANGER

RISK OF ELECTRIC SHOCK AND EQUIPMENT DAMAGE

- Connect only to Safety Extra Low Voltage (SELV) circuits and power sources.
 - Do not expose the BLE Module to rain, snow, spray, or bilge water. For indoor use only.
 - Do not disassemble. No user serviceable parts inside.
 - Do not install and/or operate in compartments containing flammable materials or in locations that require ignition-protected equipment.
- Failure to follow these instructions will result in physical injury and/or equipment damage.**

Exclusion for Documentation

UNLESS SPECIFICALLY AGREED TO IN WRITING, SELLER (A) MAKES NO WARRANTY AS TO THE ACCURACY, SUFFICIENCY OR SUITABILITY OF ANY TECHNICAL OR OTHER INFORMATION PROVIDED IN ITS MANUALS OR OTHER DOCUMENTATION; (B) ASSUMES NO RESPONSIBILITY OR LIABILITY FOR LOSSES, DAMAGES, COSTS OR EXPENSES, WHETHER SPECIAL, DIRECT, INDIRECT, CONSEQUENTIAL OR INCIDENTAL, WHICH MIGHT ARISE OUT OF THE USE OF SUCH INFORMATION. THE USE OF ANY SUCH INFORMATION WILL BE ENTIRELY AT THE USER'S RISK; AND (C) REMINDS YOU THAT IF THIS MANUAL IS IN ANY LANGUAGE OTHER THAN ENGLISH, ALTHOUGH STEPS HAVE BEEN TAKEN TO MAINTAIN THE ACCURACY OF THE TRANSLATION, THE ACCURACY CANNOT BE GUARANTEED. APPROVED CONTENT IS CONTAINED WITH THE ENGLISH LANGUAGE VERSION WHICH IS POSTED AT [HTTP://WWW.XANTREX.COM](http://WWW.XANTREX.COM).

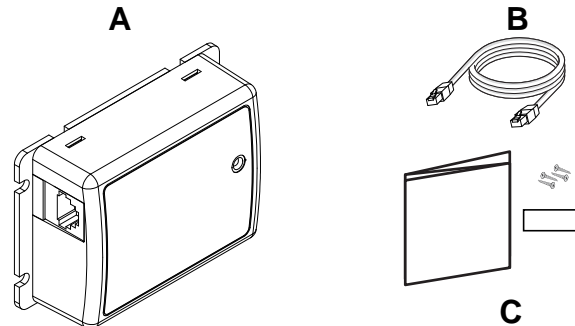
NOTE: Visit <http://www.xantrex.com>, select PRODUCTS, select a Product category, select a Product, select DOWNLOADS, and choose a document from the list that may provide a translation of the English guide, if available.

Contact Information

Telephone: +1-800-670-0707 / +1-408-987-6030
Email: customerservice@xantrex.com,
<http://www.xantrex.com/power-products-support/>
Web: <http://www.xantrex.com>

1 Introduction

The Xantrex BLE Module is a communications accessory from Xantrex that enables a Xantrex XPLORE charger to be monitored or controlled wirelessly using a smart device such as mobile phone.



A	Xantrex BLE Module	C	Quickstart Guide, mounting tape and four screws
B	25-ft RJ-12 6-conductor communication cable	NOTE:	If any of the items are missing, contact your Xantrex dealer.

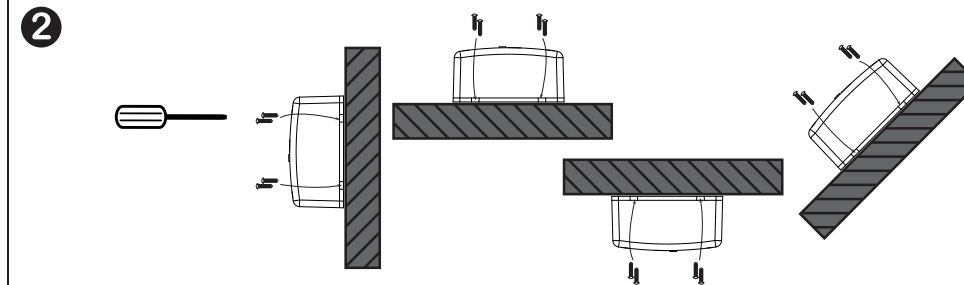
ISED Notice / Avis d'ISDE

This device contains license-exempt transmitter(s)/receiver(s) that comply with Innovation, Science and Economic Development's license-exempt RSS (s). Operation is subject to the following two conditions: (1) this device may not cause interference, and (2) this device must accept any interference, including interference that may cause undesired operation of the device.
 L'appareil contient un ou plusieurs émetteur(s) et/ou récepteur(s) exempts de licence contenu dans le présent appareil est conforme aux CNR d'Innovation, Sciences et Développement économique Canada applicables aux appareils radio exempts de licence. L'exploitation est autorisée aux deux conditions suivantes : (1) l'appareil ne doit pas produire de brouillage; (2) l'utilisateur de l'appareil doit accepter tout brouillage radioélectrique subi, même si le brouillage est susceptible d'en compromettre le fonctionnement.

RF Exposure

The device has been evaluated to meet general RF exposure requirement. The device can be used in portable exposure condition without restriction.
 L'appareil a été évalué pour répondre aux exigences générales d'exposition aux RF. Le dispositif peut être utilisé dans des conditions d'exposition portatives sans restriction.

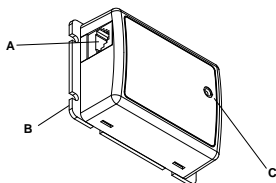
2 Mounting



FCC Notice

This Class B digital device complies with Part 15B of the FCC and ICES-003 of the ISED/Canada Rules. Operation is subject to the following two conditions:
 (1) This device may not cause harmful interference.
 (2) This device must accept any interference received, including interference that may cause undesired operation.
NOTE: This equipment has been tested and found to comply with the limits for a Class B digital device, pursuant to Part 15B of the FCC and ICES-003 of the ISED/Canada Rules. These limits are designed to provide reasonable protection against harmful interference in a residential installation. This equipment generates, uses, and can radiate radio frequency energy and, if not installed and used in accordance with the instructions, may cause harmful interference to radio communications. However, there is no guarantee that interference will not occur in a particular installation. If this equipment does cause harmful interference to radio or television reception, which can be determined by turning the equipment off and on, the user is encouraged to try to correct the interference by one or more of the following measures:
 • Reorient or relocate the receiving antenna.
 • Increase the separation between the equipment and receiver.
 • Connect the equipment into an outlet on a circuit different from that to which the receiver is connected.
 • Consult the dealer or an experienced radio/TV technician for help.
WARNING: Changes or modifications not expressly approved by the party responsible for compliance could void the user's authority to operate the equipment.
 CAN ICES-3(B)/NMB-3(B)
 FCC ID: 2A258-BLEMBT
 IC: 23407-XBLEMBT

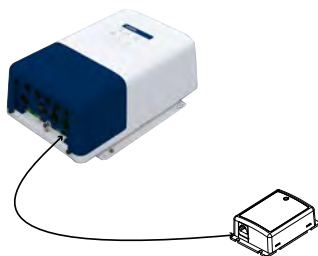
3 Port



A	communication port
B	flanges
C	LED

4 Typical Connection Diagram

⚠ Only one auxiliary device can be connected at any time. In this diagram, a Xantrex XPLORE charger is connected to the BLE Module.



FCC Radiation Exposure Statement

The device has been evaluated to meet general RF exposure requirement. The device can be used in mobile (min 20cm) exposure condition without restriction.

Radiation Exposure Statement:

This equipment complies with ISED radiation exposure limits set forth for an uncontrolled environment. This equipment should be installed and operated with minimum distance 20cm between the radiator and your body.

Déclaration d'exposition aux radiations :

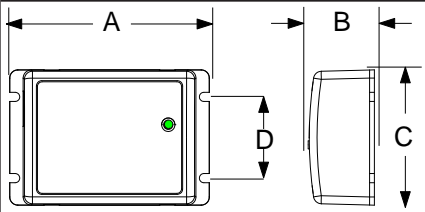
Cet équipement est conforme aux limites d'exposition aux rayonnements ISDE établies pour un environnement non contrôlé. Cet équipement doit être installé et utilisé avec un minimum de 20 cm de distance entre la source de rayonnement et votre corps.

5 Setting Up

How to...	Steps
Connect the BLE Module to the XPLORE charger	<ol style="list-style-type: none"> 1. Download the Xantrex App to the smart device. iOS: go to the App Store and search for "Xantrex App". Android device: go to the Google Play Store and search for "Xantrex App". 2. Connect the BLE Module to the XPLORE charger. The XPLORE charger is the BLE Module's power source. The LED will start to flash. 3. Switch to Settings on the smart device. 4. Look for Bluetooth settings. 5. Look for and add Xantrex BLE Module. 6. Open the Xantrex App from the smart device.
Upgrade the BLE Module's firmware.	<ol style="list-style-type: none"> 1. Obtain the firmware update file from your Xantrex dealer and unzip the compressed file into your computer's local hard drive. 2. Rename the firmware file exactly to REMOTE.bin. 3. Plug and format a USB drive to FAT32 (1GB or more) on the PC. 4. Create a new folder on the USB drive called NextGen_Firmware. 5. Move the REMOTE.bin file into the NextGen_Firmware folder. 6. Safely eject the USB drive from the PC. 7. Turn off all loads connected to the Xantrex XPLORE charger. 8. Insert the USB drive into the USB port of the XPLORE charger. 9. Observe during the update that the USB LED will flash yellow during the upgrade process. Once the process is complete, the flashing will stop then turn to either solid green or red for about 5 seconds and then off. Green means successful and red means the upgrade process was unsuccessful. 10. If the upgrade process was unsuccessful, consider starting over from step 1 and making sure to reformat the USB drive according to step 3. 11. If the upgrade process was successful, remove the USB drive from the USB port of the XPLORE charger.

6 Specifications

NOTE: Specifications are subject to change without prior notice.

Electrical Specifications	
Serial	RJ-12 port
Physical Specifications	
	<p>A - 2.95 in. (74.8 mm) with flanges, 2.78 in. (70.7 mm) with hole center</p> <p>B - 0.97 in. (24.8 mm)</p> <p>C - 1.98 in. (50.3 mm)</p> <p>D - 1.18 in. (30.2 mm)</p>
Weight	0.08 lb (35 g)
Housing / Mounting System	ABS Plastic, Wall-mount: 2x2-screw
IP rating / Mounting Location	IP 20, NEMA Type 1, Indoor only
Temperature	Operating: -4 to 122°F (-20 to 50°C) Storage: -40 to 185°F (-40 to 85°C)
Humidity	Operating: < 95%, non-condensing Storage: < 95%, non-condensing
Regulatory	
EMC emission	FCC Part 15B, Class B, ISED Canada ICES-003 Class B
Substances / environmental	FCC Part 15C and ISED Canada RF RSS standards compliance RoHS Directive 2011/65/EU compliance