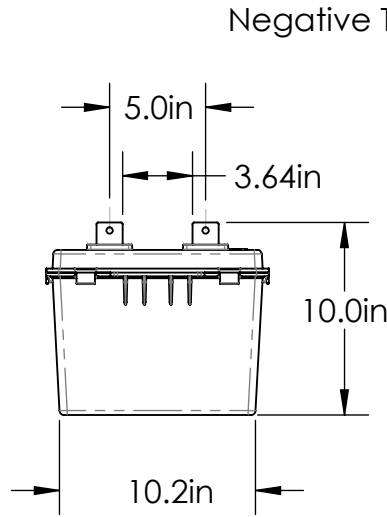
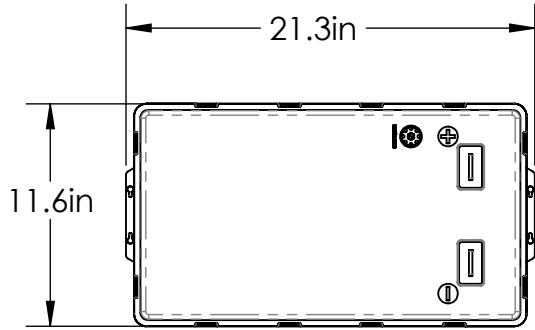


2

1

REVISIONS				
ZONE	REV.	DESCRIPTION	DATE	APPROVED
	A	Customer Dimensional Drawings	02/24/2021	

B

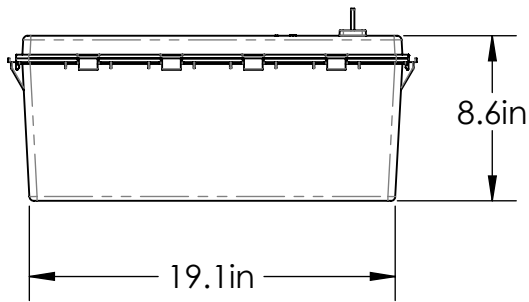


Negative Terminal

Postive Terminal

Heat Enable

B



A

A



PROPRIETARY AND CONFIDENTIAL
 THE INFORMATION CONTAINED IN THIS DRAWING IS THE SOLE PROPERTY OF DRAGONFLY ENERGY INC. ANY REPRODUCTION IN PART OR AS A WHOLE WITHOUT THE WRITTEN PERMISSION OF DRAGONFLY ENERGY INC IS PROHIBITED.

MATERIAL:

FINISH:

DIMENSIONS ARE IN: INCHES

TOLERANCES:

0.X: ±

0.XX: ±

0.XXX: ±

ANGULAR: ±°



DRAGONFLY ENERGY INC.

PART NUMBER: 8D

SIZE	DRAWN	CHECKED	DATE	REV
A			2/24/2021	A

SCALE: 1:10

SHEET 1 OF 1

2

1