

HD-Series Heavy Duty ON/OFF Battery Switch

PN 3000

Features

- Disconnects single battery bank in emergencies, or when vessel is not in use
- Up to 600 Amperes continuous rating for large diesel engines, high power output, and low heat generation

Tin-plated copper studs:

- M12-1.75 (1/2") provide maximum conductivity and corrosion resistance
- One-piece to reduce risk of overheating
- 7/8" (22.22mm) length to accept multiple cable terminals
- Two studs for load connections permit up to eight load cables to be connected

Case design:

- Allows surface mounting or rear panel mounting
- Accepts 4/0 AWG (120 mm²) battery cables

Specifications

Cranking Rating: 30 sec.	1,750A
Intermittent Rating: 5 min.	900A
Continuous Rating	600A
Voltage Max. Operating	32V DC
Terminal Stud, Tin-Plated Copper	M12-1.75 (1/2")
Torque	220 in-lb (24.86 N·m)
Cable Size to Meet Ratings*	4/0 AWG (120 mm ²)
Ignition Protected	
CE marked	

Agency Specifications

- Meets all American Boat and Yacht Council (ABYC) requirements for battery switches
- UL Listed - UL 1107 for electric power switches
- Meets UL 1500 and SAE J1171 external ignition protection requirements

Guarantee

Any Blue Sea Systems product with which a customer is not satisfied may be returned for a refund or replacement at any time.

For information about Blue Sea Systems Engine Starting Standard, go to www.blueseasystems.com.

* Reducing cable sizes will reduce current ratings

Blue Sea Systems Inc.

425 Sequoia Drive
Bellingham, WA 98226 USA
p .360.738.8230
www.blueseasystems.com

Caution

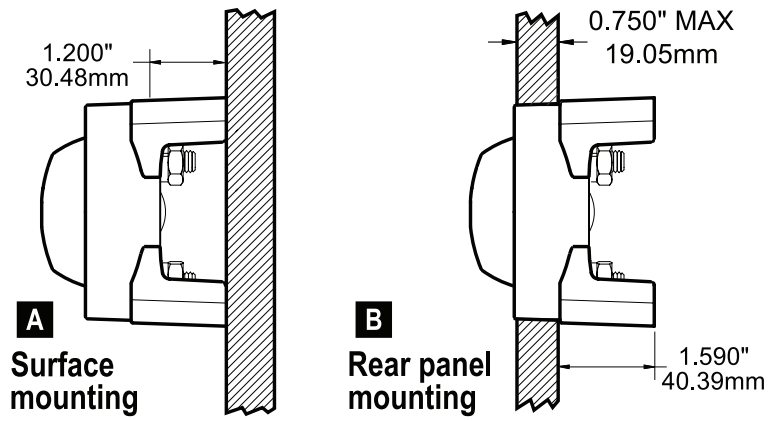
- Disconnect positive battery terminal before installing.
- Débranchez la cosse positive de la batterie avant de l'installer.
- Desconecte el terminal positivo de la batería antes de la instalación.
- Prima di eseguire l'installazione, disconnettere il terminale positivo della batteria.
- Consult marine electrical professional for proper wiring application.
- Consultez un professionnel de l'électricité marine pour installer le câblage correctement.
- Consulte a un electricista marino profesional para la aplicación de alambrado apropiada.
- Per assicurarsi che i cavi siano correttamente collegati, rivolgersi ad un elettricista specializzato in motori marini.

Installation

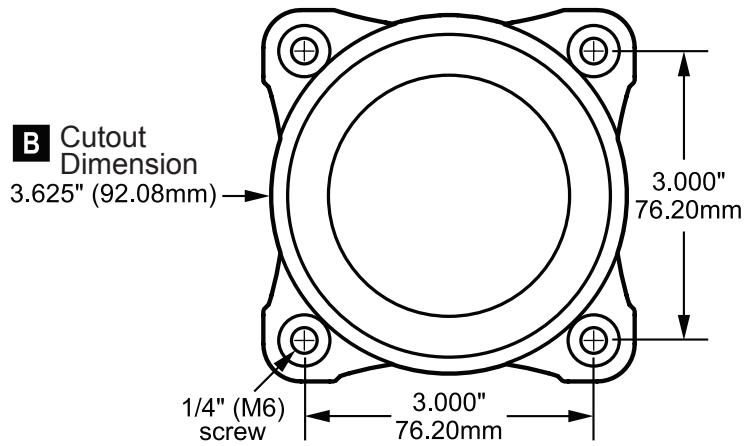
- Mount in an easily accessible location close to the batteries.
- Montez-le dans un endroit facilement accessible près des batteries.
- Monte en una ubicación fácilmente accesible cerca de la batería.
- Montare in un punto facilmente accessibile e vicino alle batterie.
- Attach two 4/0 cables to the battery terminal and a single 4/0 cable to each common terminal to meet rating.
- Relier deux câbles 120mm² à la borne de la batterie et un câble 120mm² à chaque borne commune pour respecter la valeur assignée.
- Conectar dos cables 120mm² al terminal de la batería y un cable sencillo 120mm² a cada terminal común para cumplir con el valor nominal.
- Collegare due cavi 120mm² al morsetto della batteria e un cavo singolo 120mm² a ciascun morsetto comune per garantire la conformità al valore nominale.
- Refer to the latest edition of NFPA 302 and/or ABYC E11 Standard for installation information.
- Battery cable terminals must be attached under nut. Torque 220 in-lb (24.86 N·m).
- Les cosses des câbles de batterie doivent être fixées sous la rondelle de sûreté et l'écrou – couple de serrage de 24,86 N·m (220 lb-po).
- Los terminales de los cables de batería deberán ser sujetados debajo de la tuerca y la arandela. Apriételes a una torsión de 24,86 N·m (220 lbs-pul).
- I terminali del cavo della batteria vanno attaccati con un dado e una rondella elastica: coppia di 24,86 N·m (220 lbs-in).

Operation

- Turn all appliances off before turning the battery switch to OFF.
- Éteignez tous les appareils électriques avant de mettre l'interrupteur de batterie sur ARRÊT.
- Apague todos los artefactos antes de girar el interruptor de batería a APAGADO (OFF).
- Spegner tutte le apparecchiature prima di muovere l'interruttore della batteria su OFF (spento).
- Do not switch to OFF while engine is running.
- Ne le mettez pas sur ARRÊT alors que le moteur tourne.
- No coloque el interruptor en APAGADO (OFF) mientras que el motor esté funcionando.
- Non muovere l'interruttore su OFF (spento) quando il motore è in moto.



Switch Mounting Options



HD-Series Battery Switch Dimensions

