

SERIES 100 UL STANDOFF KIT

SnapNrack Solar Mounting Solutions

The SnapNrack line of solar mounting solutions is designed to reduce total installation costs. The system's technical innovations have been proven to drive down costs and improve installation quality on more than 350 MW of solar installations.

Standoff Kit Simplified

The SnapNrack Series 100 Standoff Kit is an innovative solution for use on tile roofs or other thick roofing materials. Standoff Kits are engineered to ensure maximum standoff adjustability for a clean, level installation on the most irregular roof surfaces. Every roof attachment gets a full metal flashing to ensure worry-free waterproofing for the life of the system.

- 5.5", 7", 8.5", and 10" Standoff Shaft Lengths
- 1" spacers available to provide additional flexibility
- Recommended use with Series 100 Roof Rail for attachment to tile or built-up type roofs

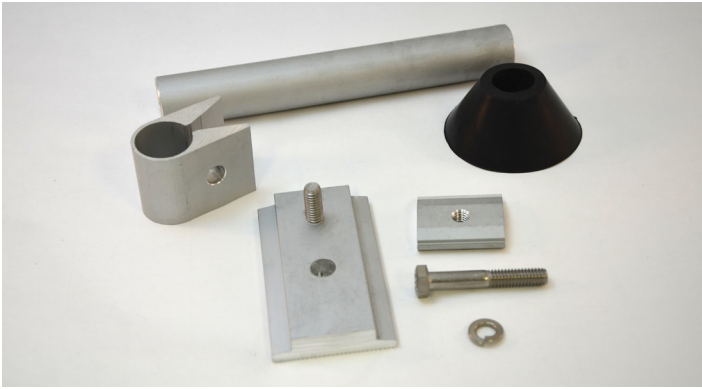


Standoff Kit in 4 Simple Steps:

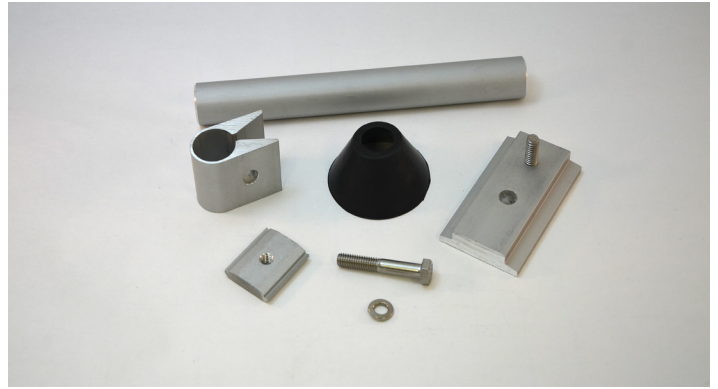
- 1) Remove tile and locate a rafter in the roof using a pilot drill
- 2) Install base to the roof sheathing
- 3) Set the flashing and replace tile after trimming/core drilling as necessary
- 4) Slide on the standoff clamp and proceed with rail installation and leveling

Place your order with your distributor
Purchase material for a single project or
order in bulk for additional savings.



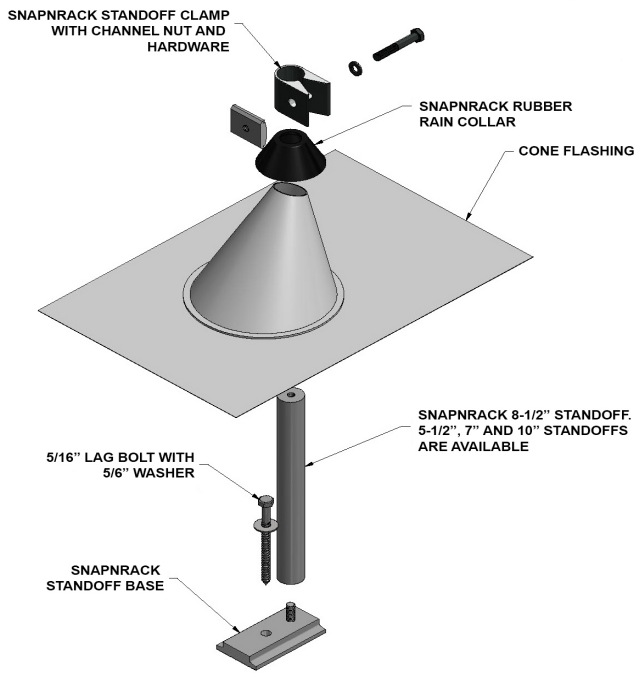


5.5" Standoff Kit w/1 Hole Base Parts

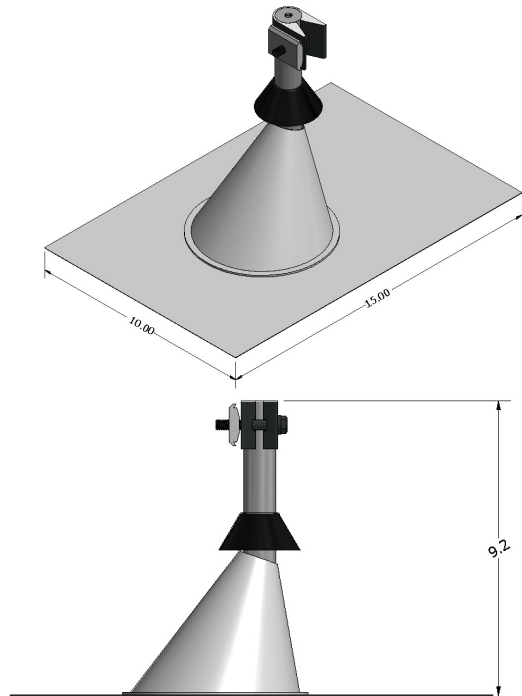


8" Standoff Kit w/1 Hole Base Parts

Standoff Kit Assembly



Standoff Kit Dimensions



SnapNrack Standoff Kit Technical Data <small>Patent Pending</small>	
Materials	<ul style="list-style-type: none"> 6000 Series Aluminum Components Stainless Steel Hardware
Material Finish	<ul style="list-style-type: none"> Clear anodized aluminum
Weight	<ul style="list-style-type: none"> 5.5" Shaft = 0.4 LBS 7" Shaft = 0.5 LBS 8.5" Shaft = 0.6 LBS
Design Uplift Load	<ul style="list-style-type: none"> 350 lbs Uplift
Design Ultimate Load	<ul style="list-style-type: none"> 1,000 lbs Uplift
Warranty	<ul style="list-style-type: none"> 10 Year material and workmanship



(877) 732-2860 www.SnapNrack.com

Printed on recycled paper using soy based inks.

© 2015 by SnapNrack PV Mounting System. All rights reserved.