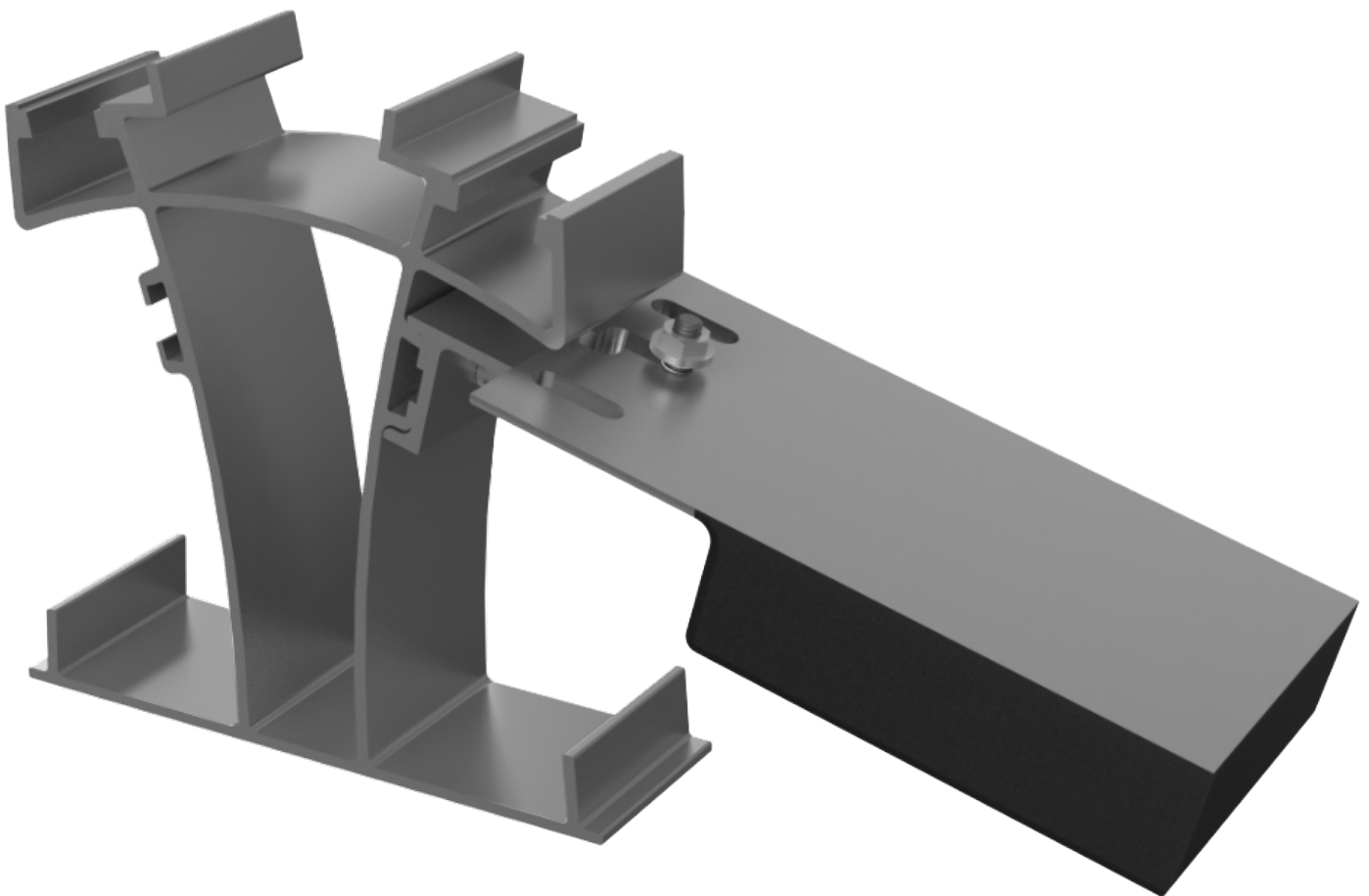


We support PV systems
Formerly Everest Solar Systems 

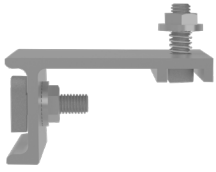


D-Dome R² Optimizer Mounting Kit

QUICK GUIDE



Components



Part Number	Description
4000646	Dome R2 Optimizer Mounting Bracket Kit

Tools overview



Torque wrench
▶ 10-50 ft-lbs



13 mm dep socket
▶ Torque 10 ft-lbs

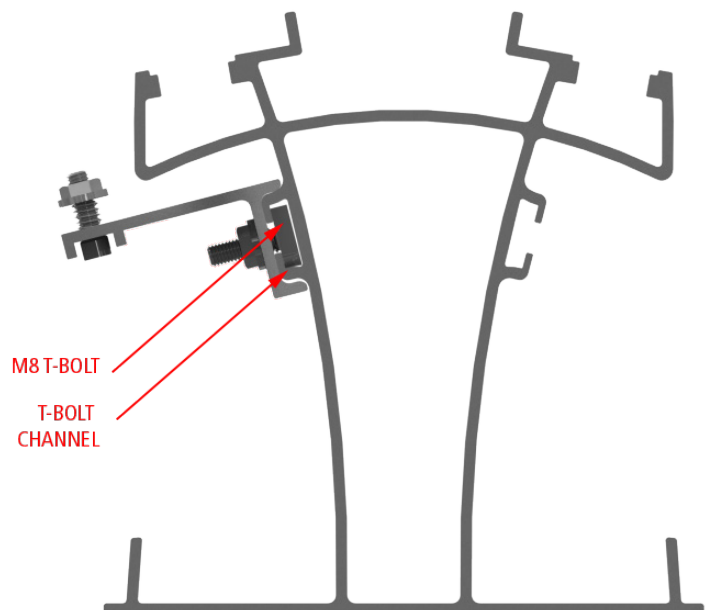
Assembly

1



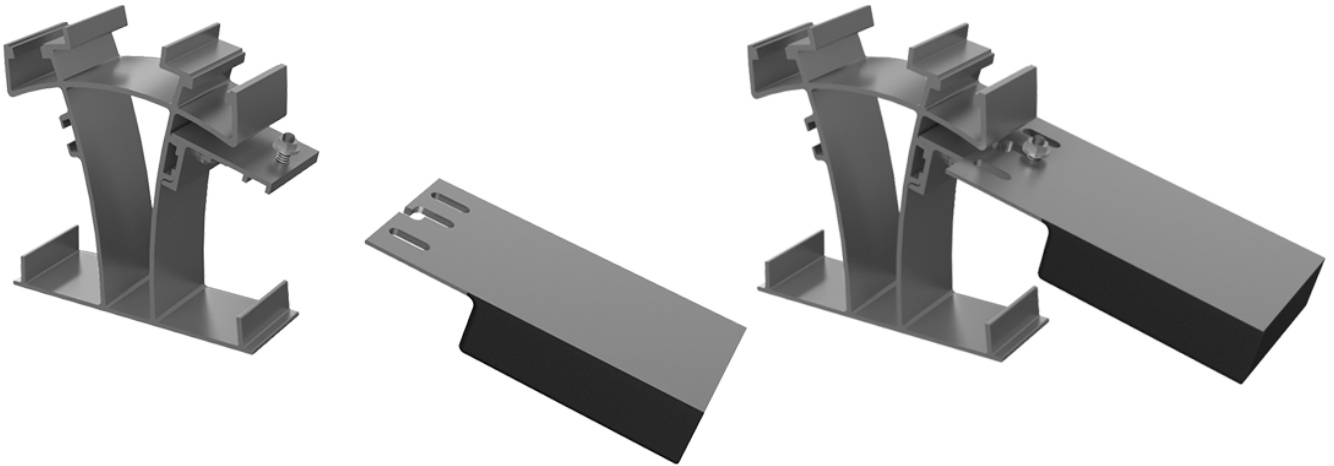
Slide the T-Bolt on mounting bracket assembly through T-Bolt channel on the Dome Peak piece, until the side of the bracket is flush with the side of the peak.

Torque: 10 - 15 ft-lbs



2

- ! Slide the slot on flange of micro-inverter or optimizer onto M8 T-Bolt.
Torque: 10 - 15 ft-lbs



3

- ! Repeat steps 1-2 on opposite side of Dome Peak for additional micro-inverter or optimizers.

