

L-Foot

TECHNICAL SHEET

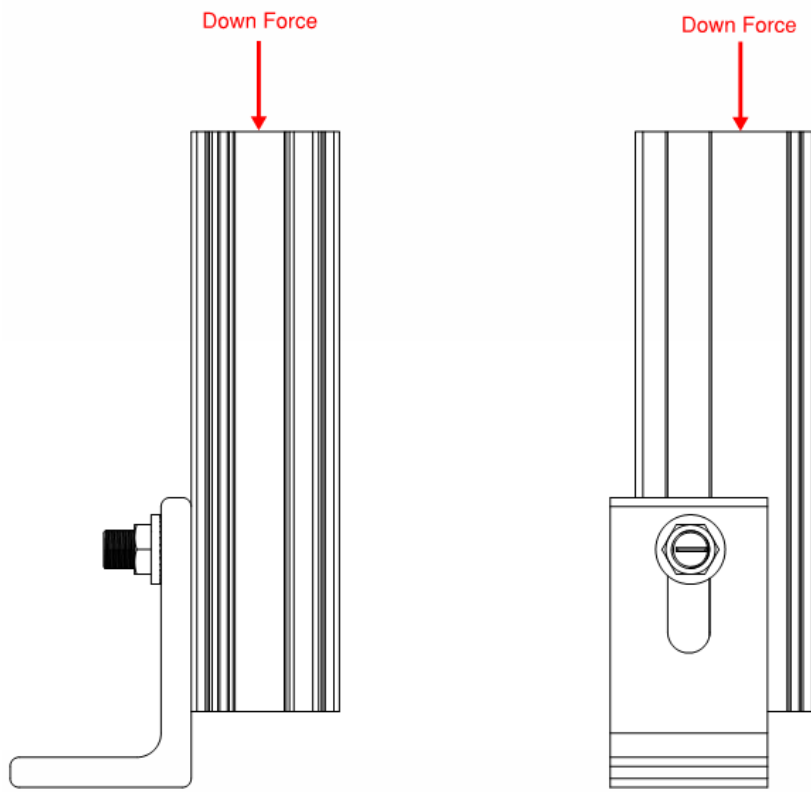
Technical Data

	L-Foot
Units	[mm] inches
Material	6000 series aluminum
Yield Strength	31.2 ksi

Note:

- ▶ All K2 L-Foot parts (eComp Kit, and Slotted L-Foot) have the same extrusion geometries. These components behave the same structurally.

Maximum allowable down force: 705 lbs



Maximum allowable uplift force: 715 lbs

