

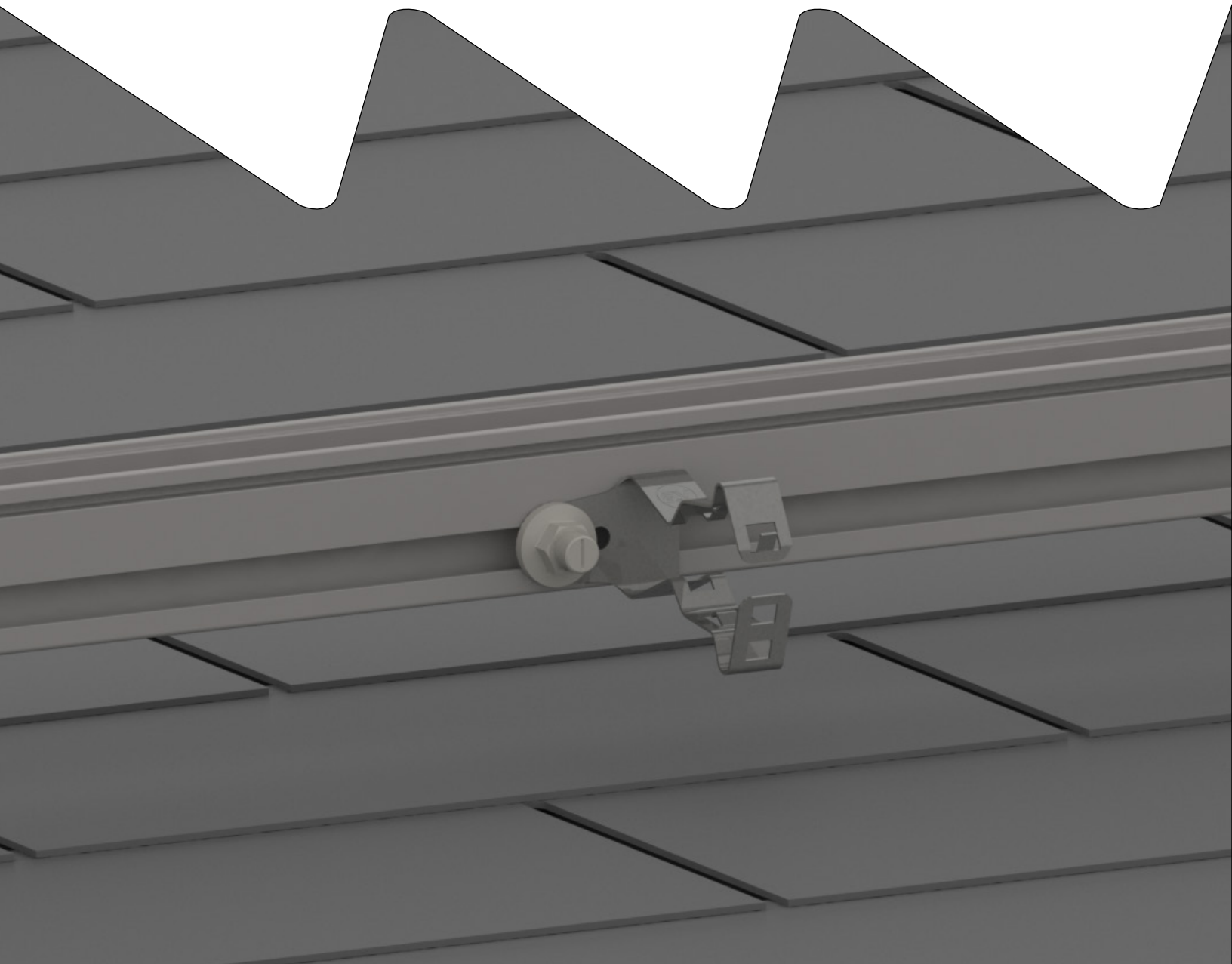


Connecting Strength

CR, K2 Conduit Clamp Kit



QUICK GUIDE



Kit

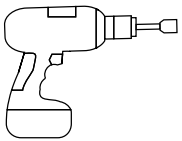


1 4000279



CR, K2 Conduit Clamp, Kit

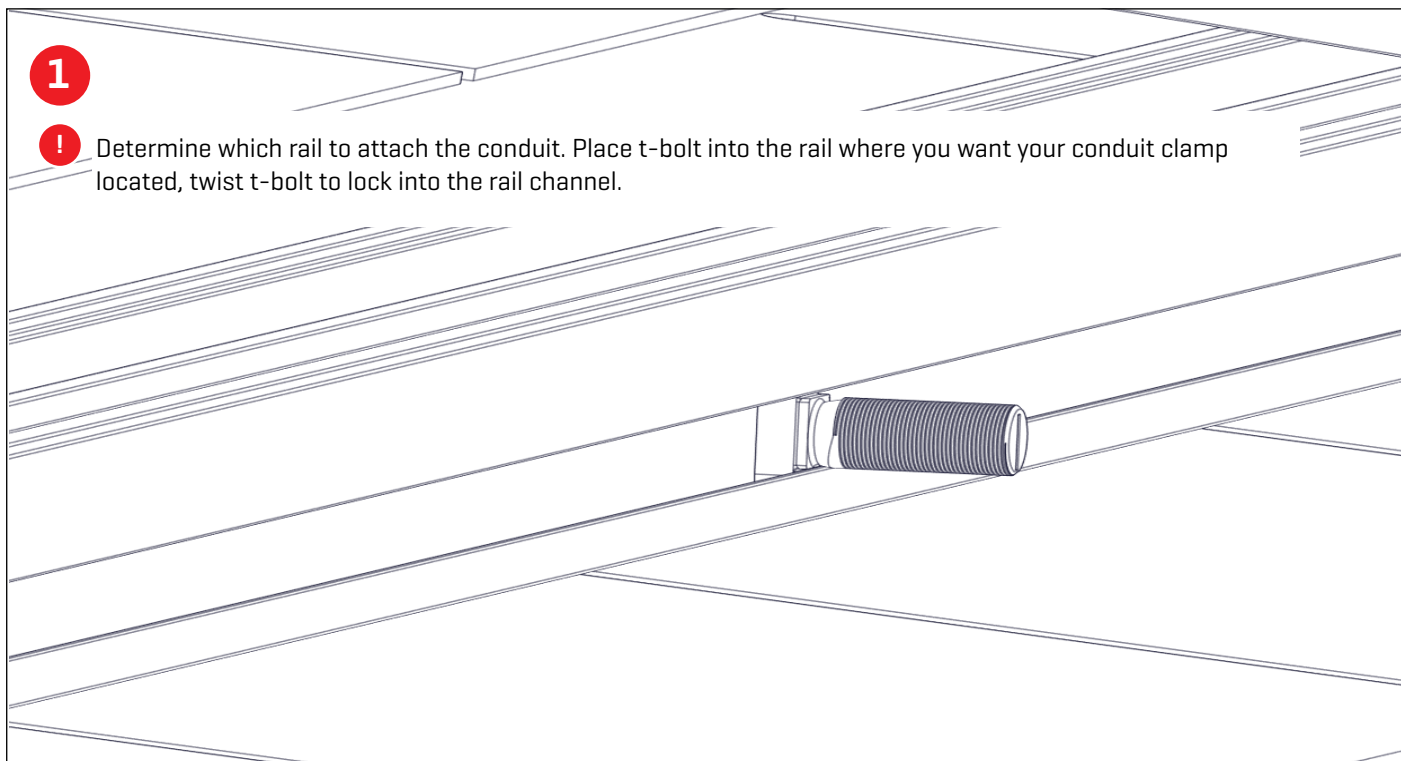
Tools



13 mm dep socket
▶ Torque 11.8 ft-lbs
[For t-bolt to rail
attachment]

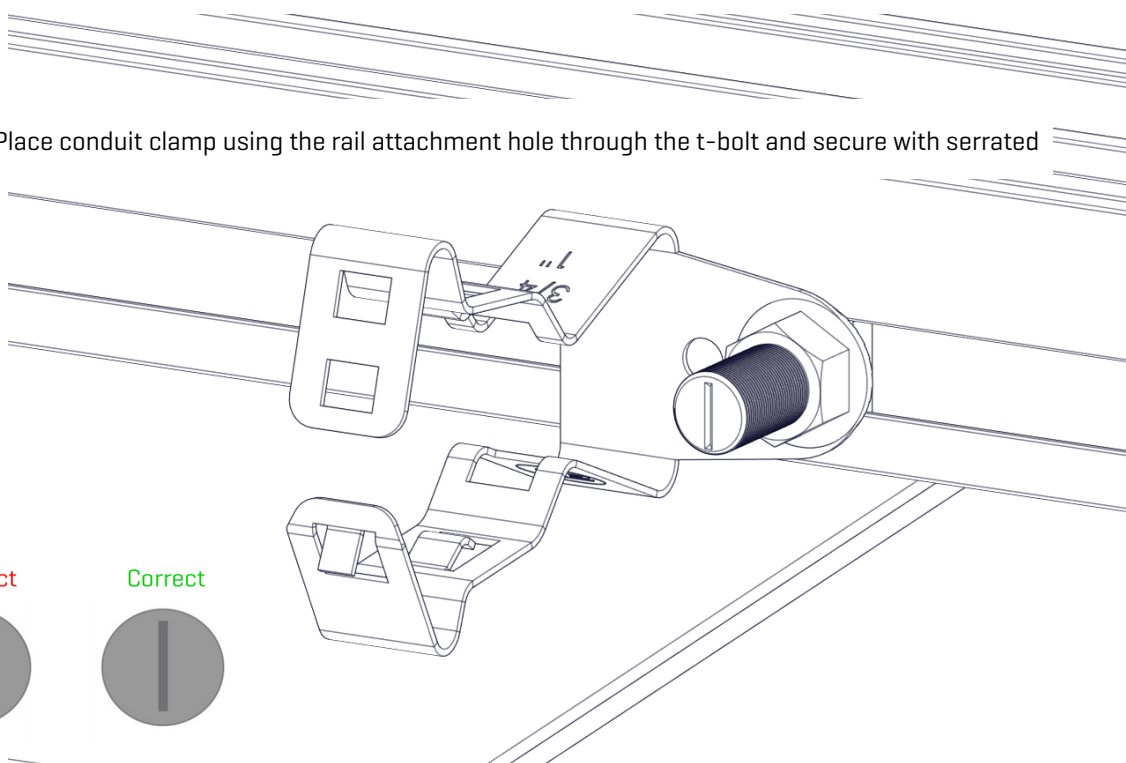
1

! Determine which rail to attach the conduit. Place t-bolt into the rail where you want your conduit clamp located, twist t-bolt to lock into the rail channel.



2

! Place conduit clamp using the rail attachment hole through the t-bolt and secure with serrated



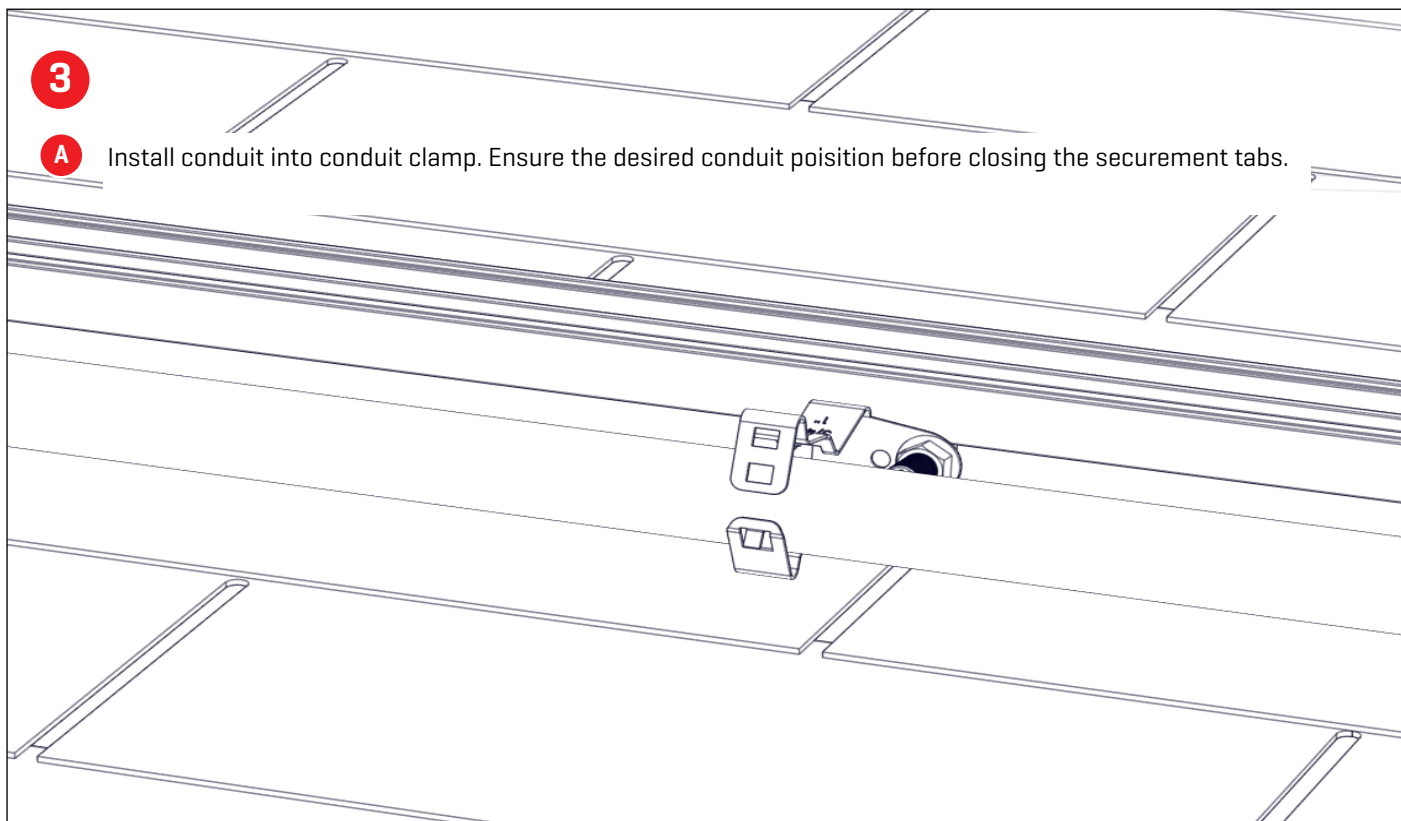
Incorrect

Correct



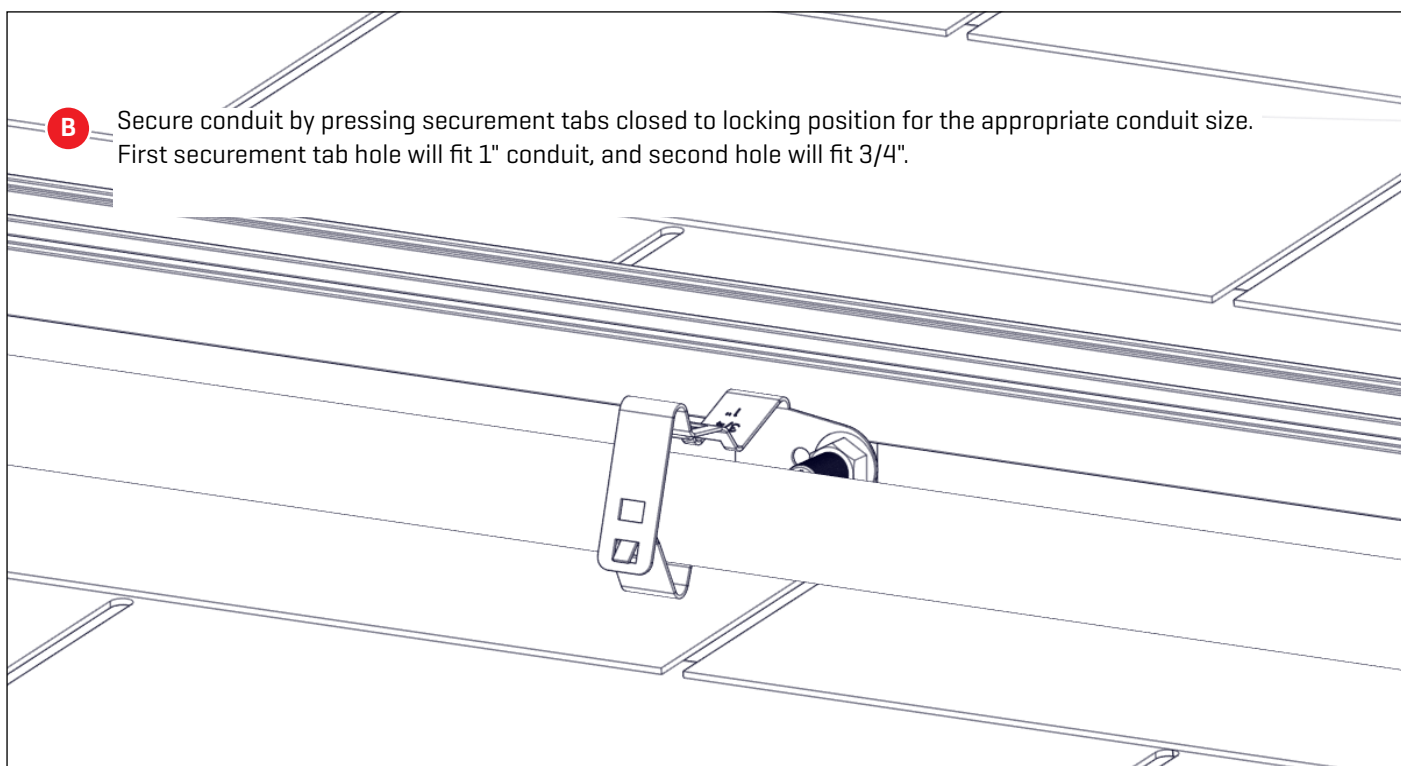
3

A Install conduit into conduit clamp. Ensure the desired conduit position before closing the securement tabs.



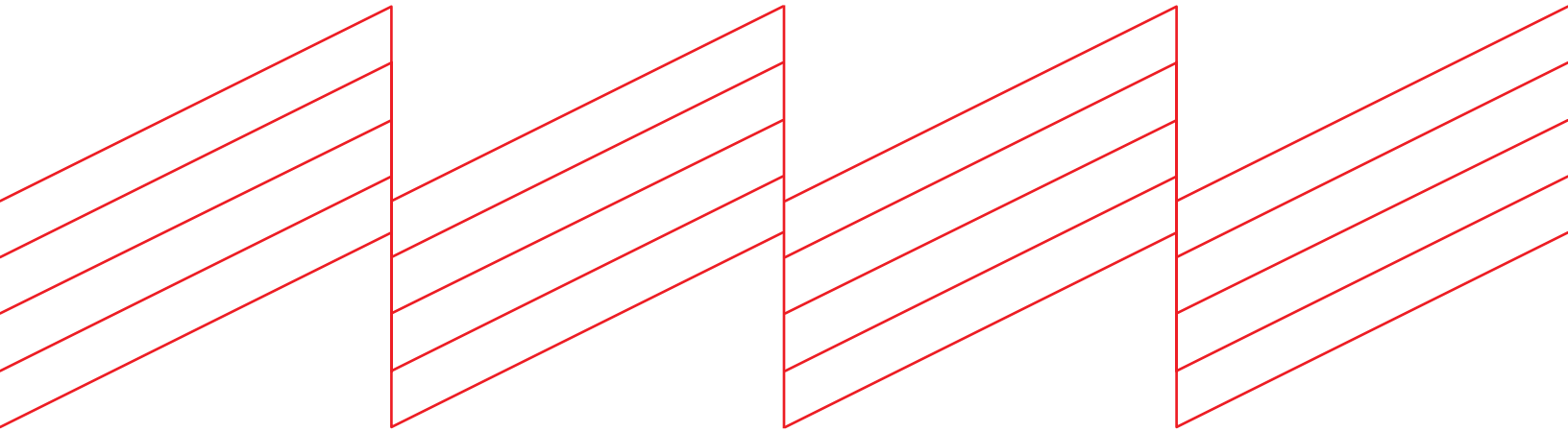
B

Secure conduit by pressing securement tabs closed to locking position for the appropriate conduit size. First securement tab hole will fit 1" conduit, and second hole will fit 3/4".





Connecting Strength



K2 Systems, LLC

4665 North Ave. Suite I • Oceanside, CA 92056 •
USA +1.760.301.5300 • infous@k2-systems.com
www.k2-systems.com

Cr, K2 Conduit Clamp, Kit Quick Guide V1 | 0423 • Subject to change
Product illustrations are exemplary and may differ from the original.