

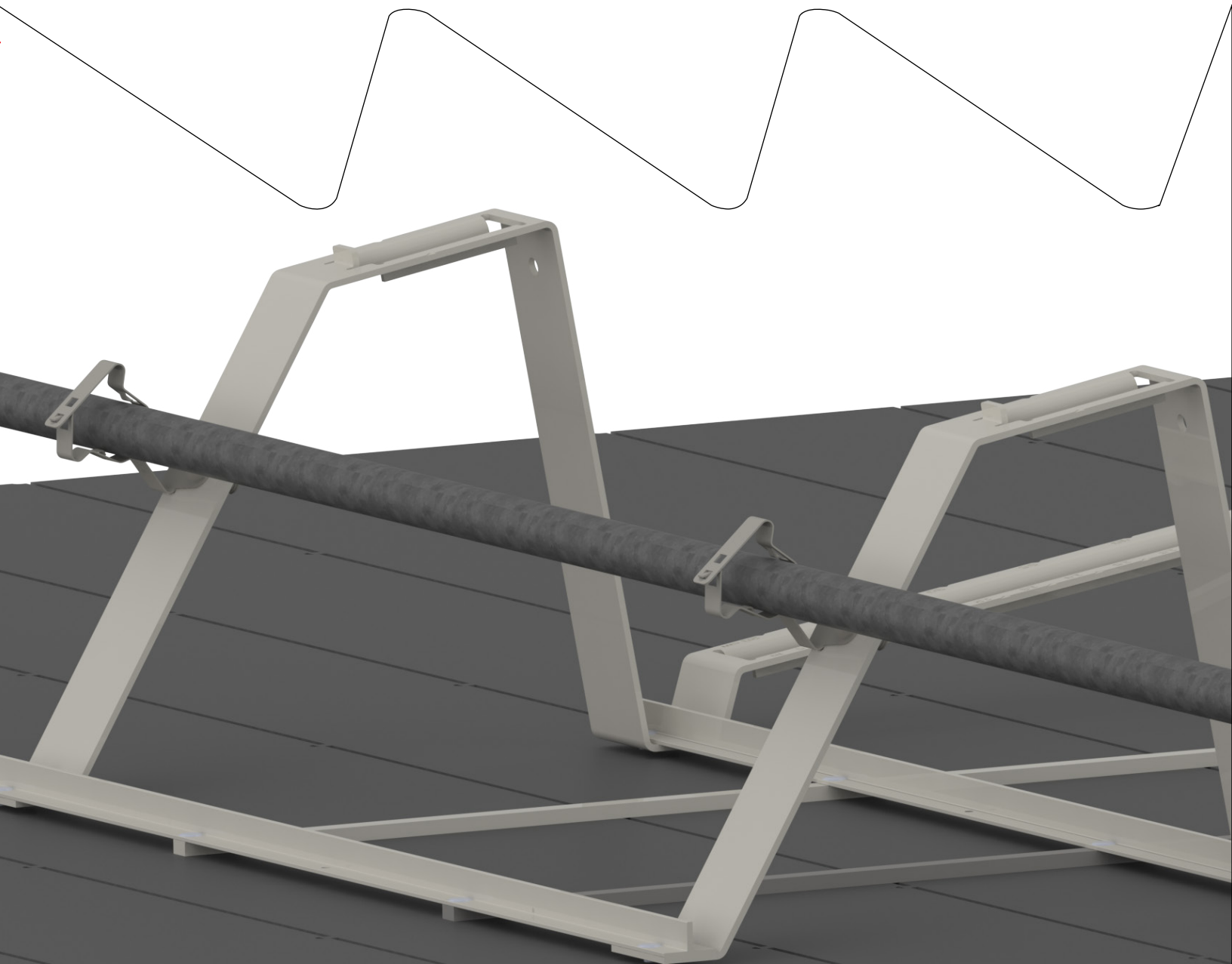


Connecting Strength

SF Conduit Clamp Kit



QUICK GUIDE

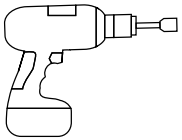


Kit



SF Conduit Clamp Kit

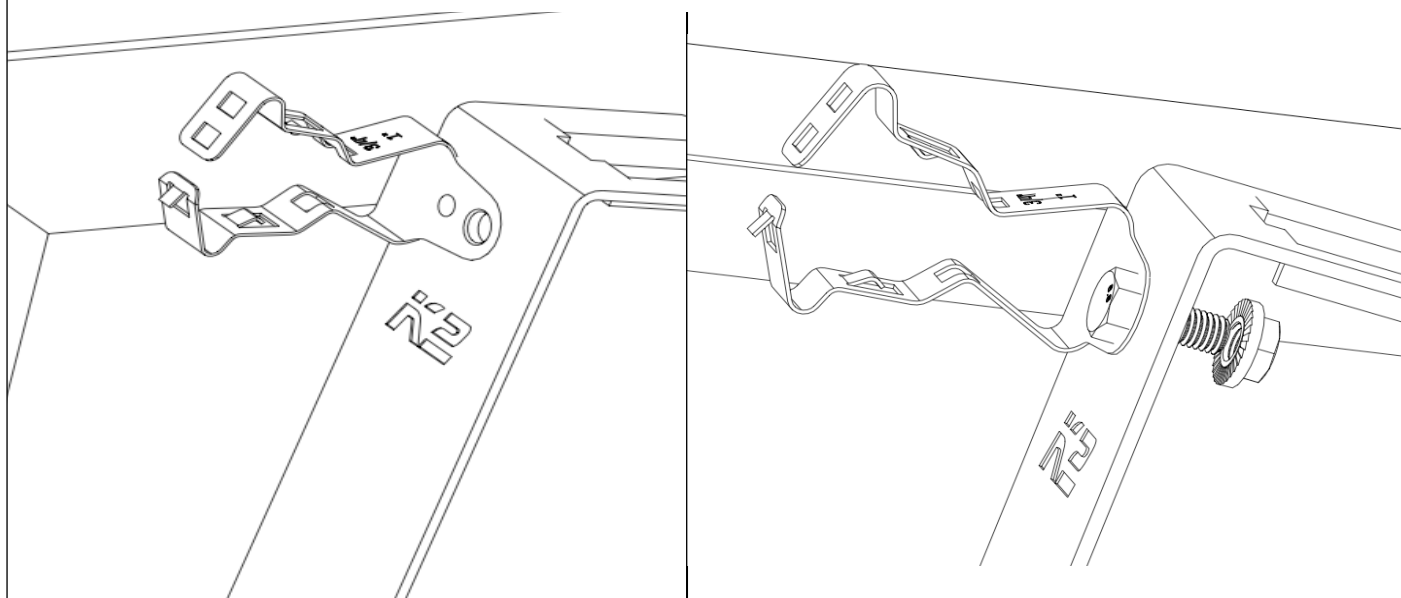
Tools



13 mm dep socket

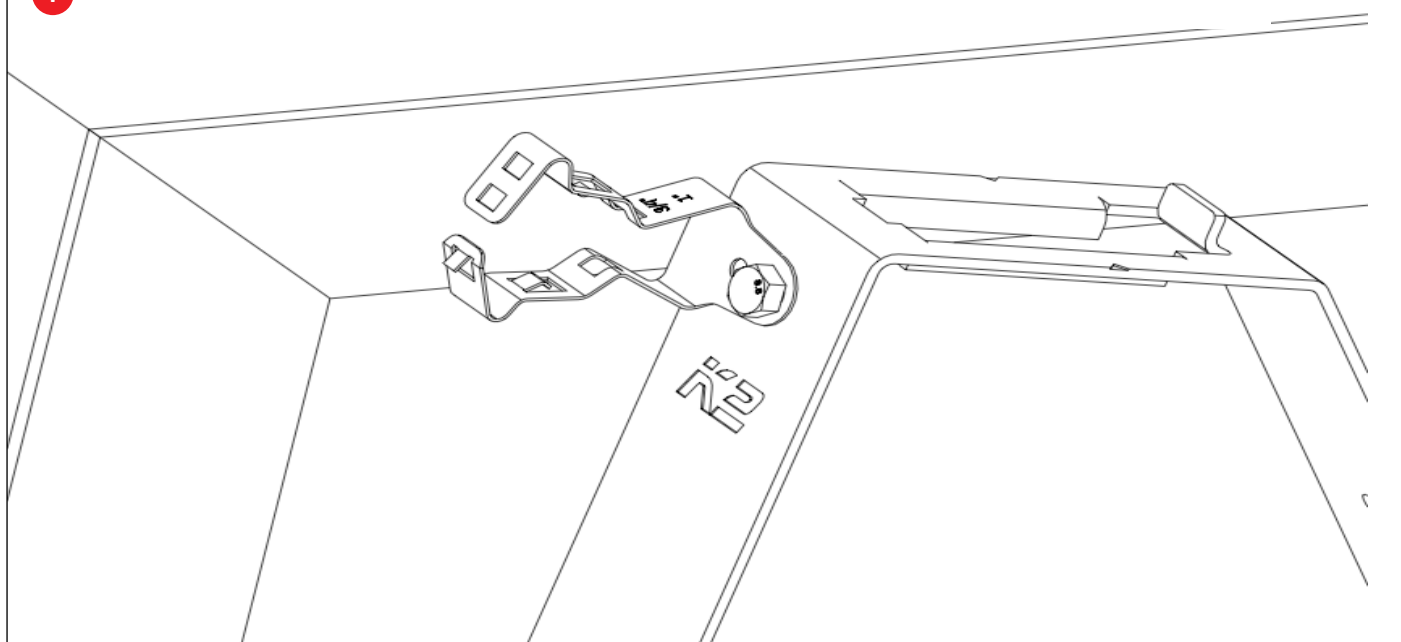
1

Determine which row of chassis to run East-West conduit based on string layout in project plan set. Place the provided bolt through the Conduit Clamp and mounting hole located on north side of the ridge chassis. Install the provided serrated flange nut.



2

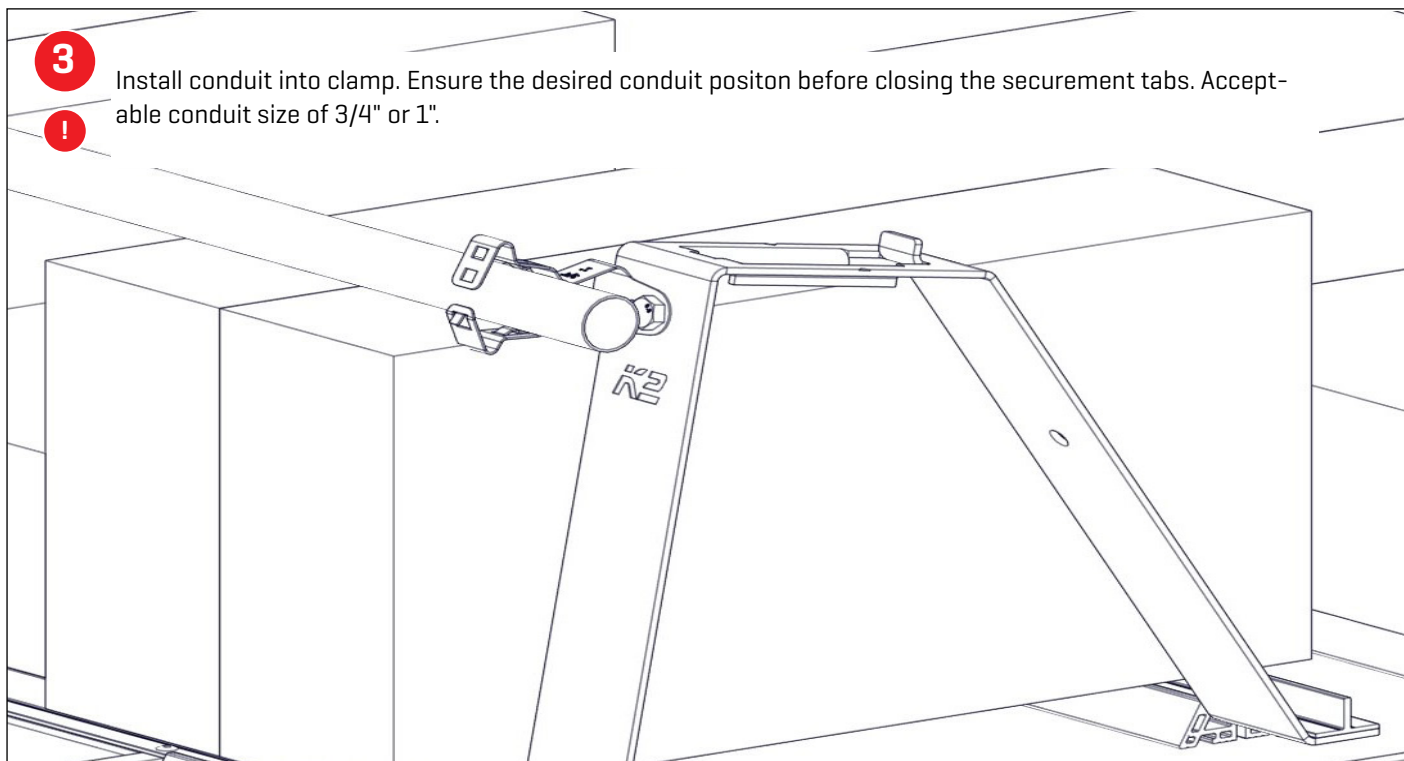
Hold Conduit Clamp in desired orientation while tightening the bolt and nut and torque to 9ft-lbs. Continue placing clamps along row of chassis, refer to local AHJ for maximum span between supports.



3

Install conduit into clamp. Ensure the desired conduit position before closing the securement tabs. Acceptable conduit size of 3/4" or 1".

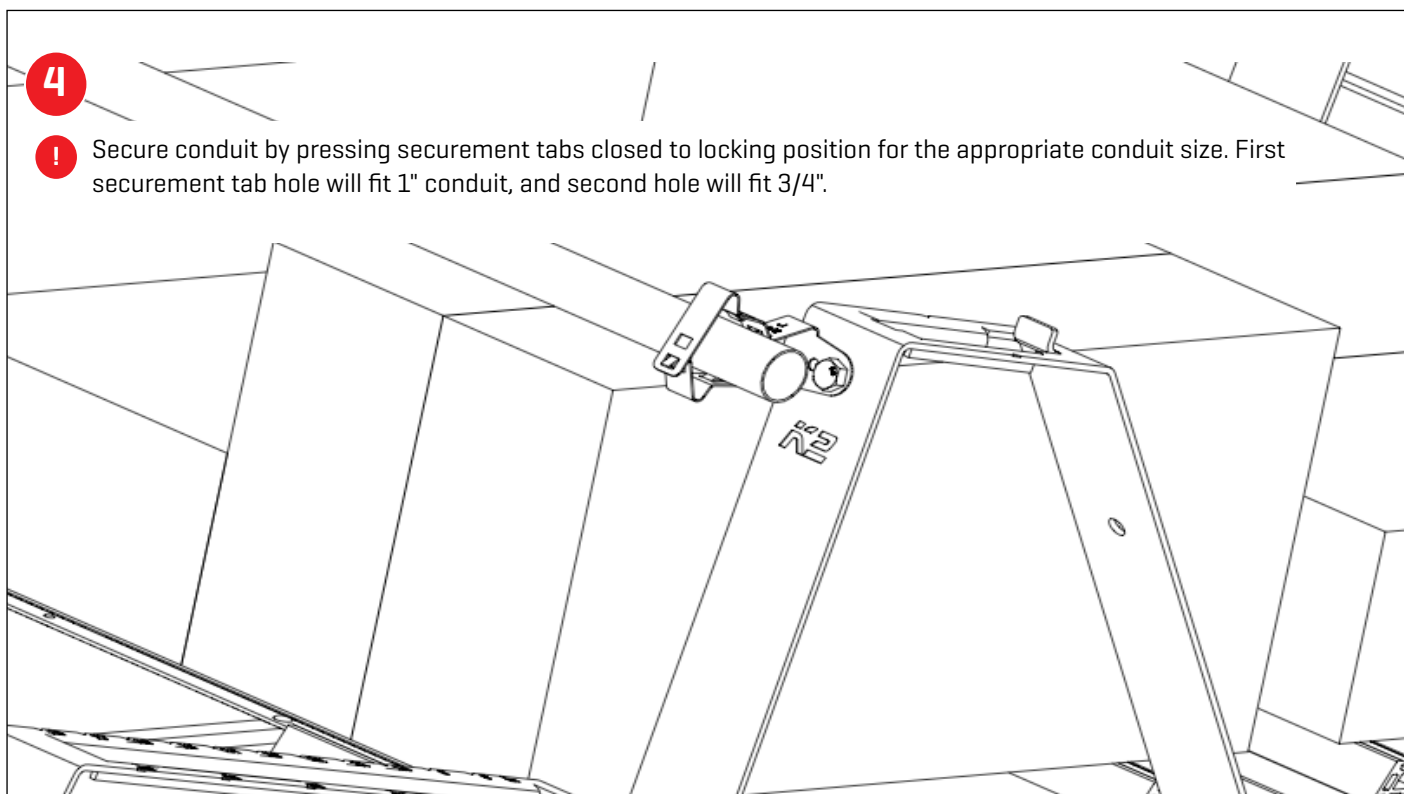
!

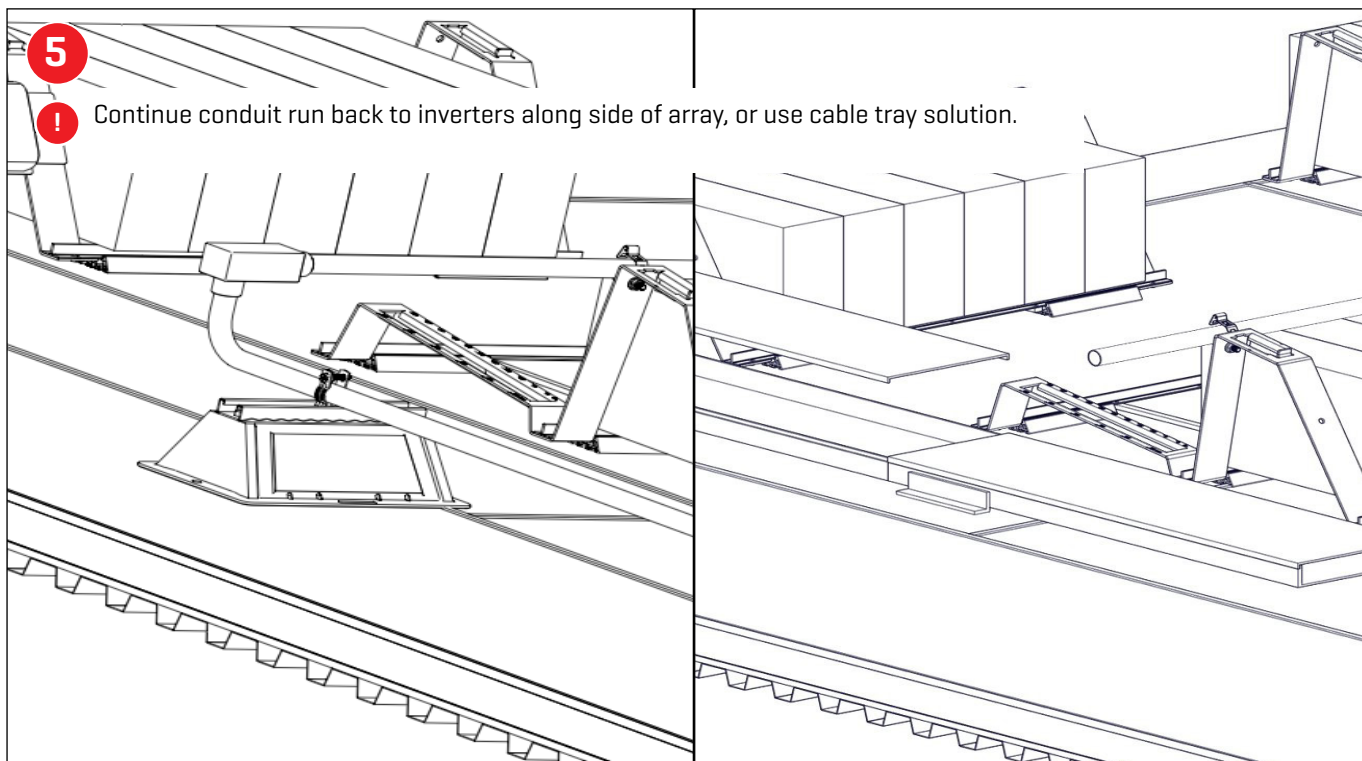


4

Secure conduit by pressing securement tabs closed to locking position for the appropriate conduit size. First securement tab hole will fit 1" conduit, and second hole will fit 3/4".

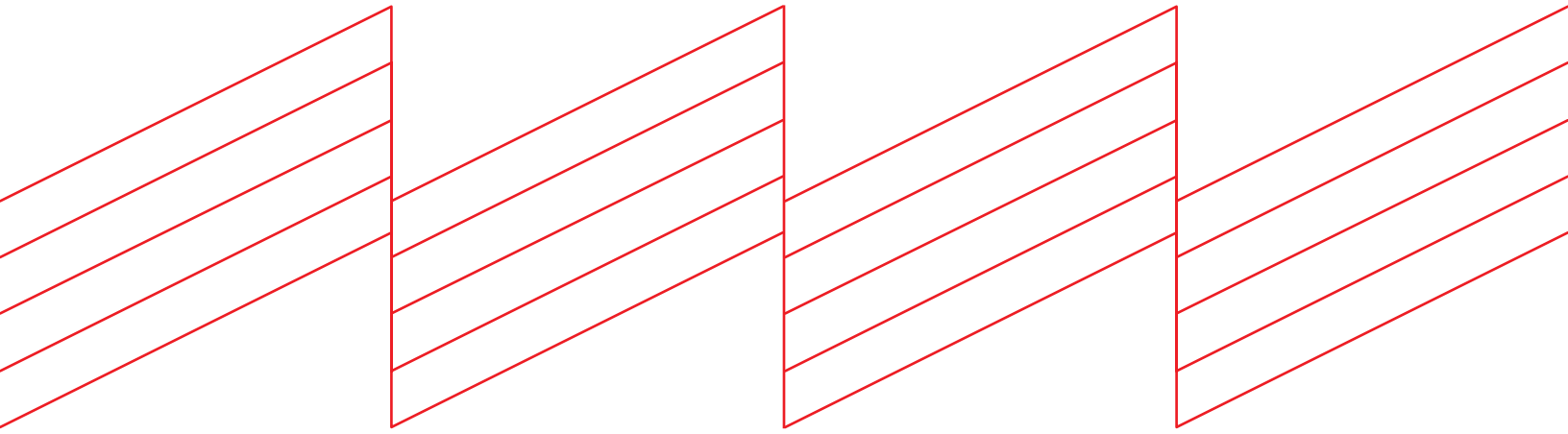
!







Connecting Strength



K2 Systems, LLC

4665 North Ave. Suite I • Oceanside, CA 92056 •
USA +1.760.301.5300 • infous@k2-systems.com
www.k2-systems.com

SF Conduit Clamp Kit Quick Guide V1 | 0423 • Subject to change
Product illustrations are exemplary and may differ from the original.