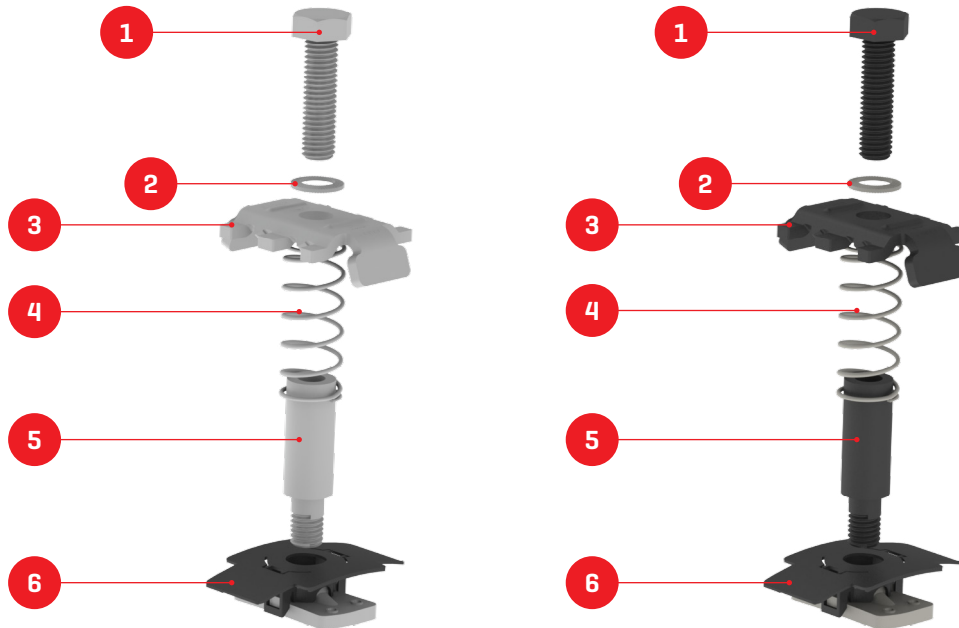


We support PV systems
Formerly Everest Solar Systems



CrossRail Mid Clamp

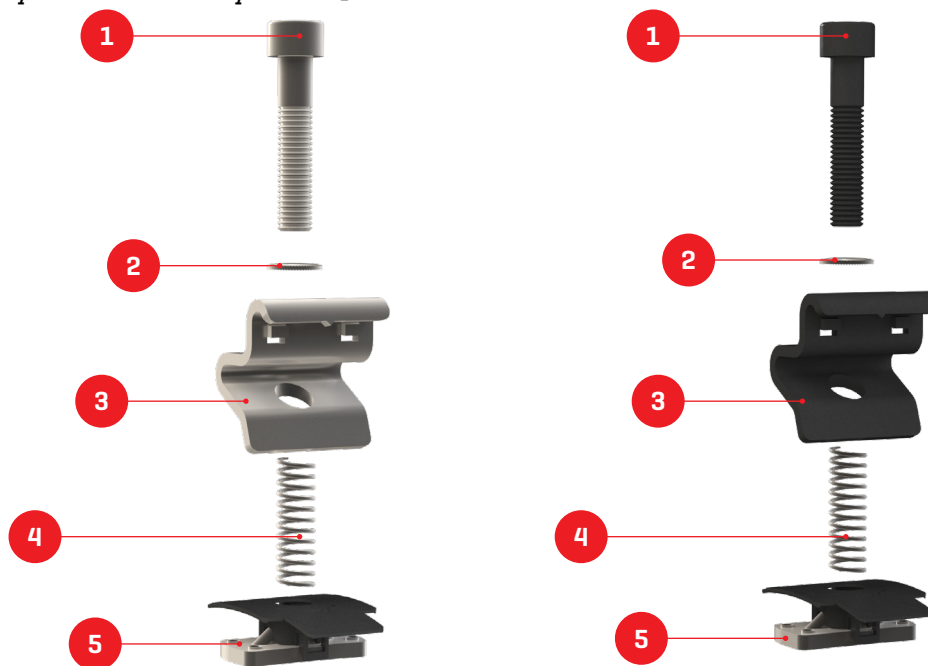
TECHNICAL SHEET

Item Number	Description	Part Number
1	M8 Serrated Flange Hex Head Bolt, 13mm	4000601-H CR MC Silver 30-47mm, Shared RL 30-37mm, 13mm Hex
2	Lock Washer	
3	Mid Clamp Top	4000602-H CR MC Dark 30-47mm, Shared RL 30-37mm, 13mm Hex
4	Clamp Spring, 65mm length	4000688-H CR MC Silver, 38-55mm, Shared RL 28-46mm 13mm Hex
5	Mid Clamp Standoff	
6	MK3 Slot Nut	4000689-H CR MC Dark, 38-50mm, Shared RL 28-46mm 13mm Hex

Technical Data

CrossRail Mid Clamp	
Compatible module frame size	28-55mm
Material	Stainless steel
Finish	Mill or dark anodized
Compatibility	CrossRail 44-X, 48-X, 48-XL, 80, MiniRail, D-Dome R ²

We support PV systems
Formerly Everest Solar Systems



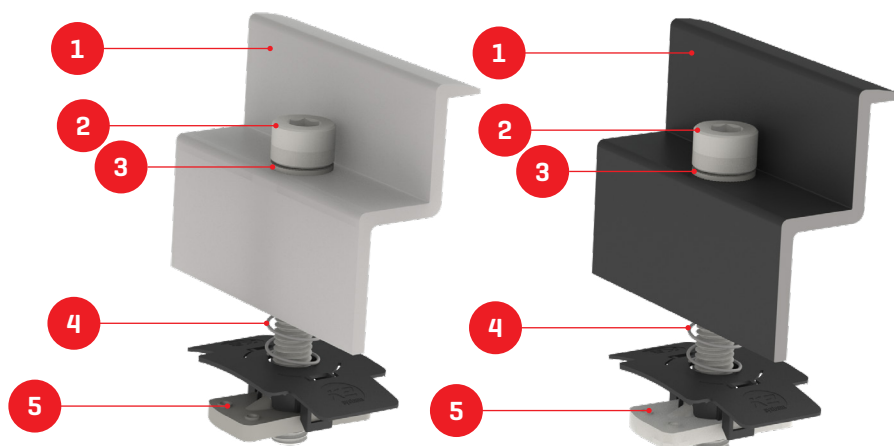
CrossRail End Clamp

TECHNICAL SHEET

Item Number	Description	Part Number
1	Allen Bolt	4000090 CR EC Silver, 30-40mm 4000091 CR EC Dark, 30-40mm
2	Lock Washer	4000092 CR EC Silver, 40-47mm 4000093 CR EC Dark, 40-47mm
3	End Clamp	
4	Clamp Spring	
5	MK3 Slot Nut	

Technical Data

CrossRail End Clamp	
Scope of application	Used with all of our CrossRail based systems
Fastening type / Roof fixture	Clamp
Module orientation	Portrait or landscape
Compatible module frame size	30-47mm
Material	Stainless steel



Aluminum End Clamp

TECHNICAL SHEET

Item Number	Description	Part Number
1	End Clamp	4005169 CrossRail EC Silver, AL 34-36mm
2	Allen Bolt	4005170 CrossRail EC Silver, AL 39-41mm 4005171 CrossRail EC Silver, AL 45-47mm 4005172 CrossRail EC Silver, AL 49-50mm
3	Lock Washer	4005269 CrossRail EC Dark, AL 39-41mm 4005270 CrossRail EC Dark, AL 45-47mm 4005271 CrossRail EC Dark, AL 49-50mm
4	Spring	4005290 CrossRail EC Silver, AL 37-38mm 4005291 CrossRail EC Silver, AL 42-44mm 4005292 CrossRail EC Silver, AL 48mm 4005293 CrossRail EC Dark, AL 37-38mm 4005295 CrossRail EC Dark, AL 42-44mm 4005296 CrossRail EC Dark, AL 48mm
5	MK3 Slot Nut	4005344 CrossRail EC Silver, AL 32-33mm 4005346 CrossRail EC Dark, AL 32-33mm 4005347 CrossRail EC Dark, AL 30-31mm

Technical Data

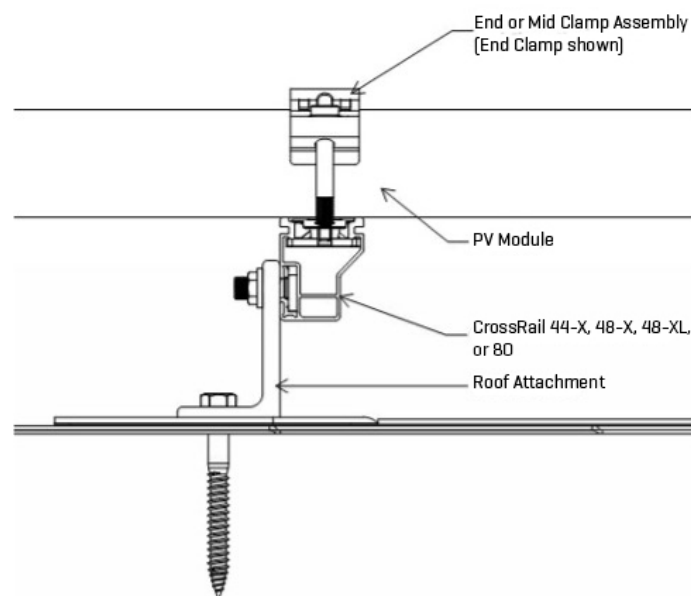
Aluminum End Clamp	
Scope of application	D-Dome R2, MiniRail, CrossRail Systems excluding Shared Rail
Fastening type / Roof fixture	Clamp
Module orientation	Portrait or Landscape
Compatible module frame size	30-50mm [Assembly Dependant]
Material	Aluminum

Allowable Loading on Top-Down Mid and End Clamps

Clamp Assemblies

K2 module clamps are composed of three main structural parts:

- ▶ MK3 or MK2 Slot Nut
- ▶ M8 Bolt
- ▶ Stainless Steel Mid or End Clamp Components [Aluminum End Clamp Options Available]



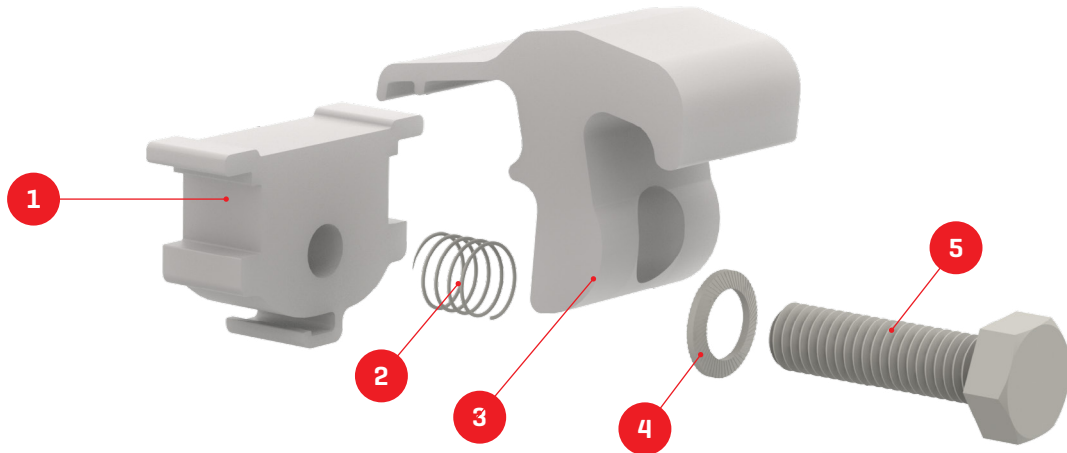
Testing Methodology

Clamp assemblies were mechanically tested for pullout forces using a universal testing machine. The clamps were installed in a CrossRail channel in a similar assembly shown in the image above and torqued down to their appropriate torque specifications, which can be found in our assembly guides located at www.k2-systems.com.

With factors of safety considered, the allowable uplift loads for each clamp are as follows:

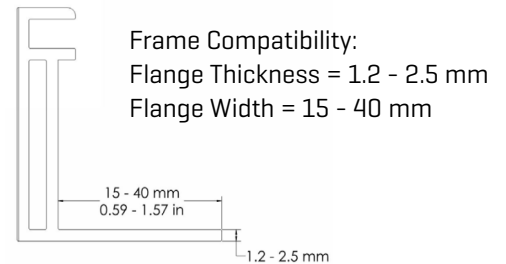
- | | | |
|----------------------------|---|---------|
| ▶ CrossRail MC, SS UL2703+ | - | 900 lbs |
| ▶ End Clamp UL 2703, SS | - | 355 lbs |
| ▶ End Clamp [Aluminum] | - | 635 lbs |

If you have any questions, please contact our technical hotline at **+1 (760) 301-5300**.



Yeti Clamp

TECHNICAL SHEET



Item Number	Description	Part Number
1	Yeti Clamp Base	4000050-H Yeti Hidden EC for CR
2	Clamp Spring, 20mm	
3	Yeti Clamp Top	
4	Lock Washer	
5	13mm Hex Bolt	

Technical Data

Yeti Clamp	
Field of application	Applicable with all CrossRail systems excluding Ground Mount
Fastening type	End clamp [Not compatible with single module installations]
Material	Aluminum with stainless steel hardware
Weight	0.15 lbs
Maximum allowable uplift force	CR 44-X: 220 lbs CR 48-X and 48-XL: 300 lbs CR 80: 275 lbs
Maximum allowable snow load	70 psf ground snow load
Finish	Mill