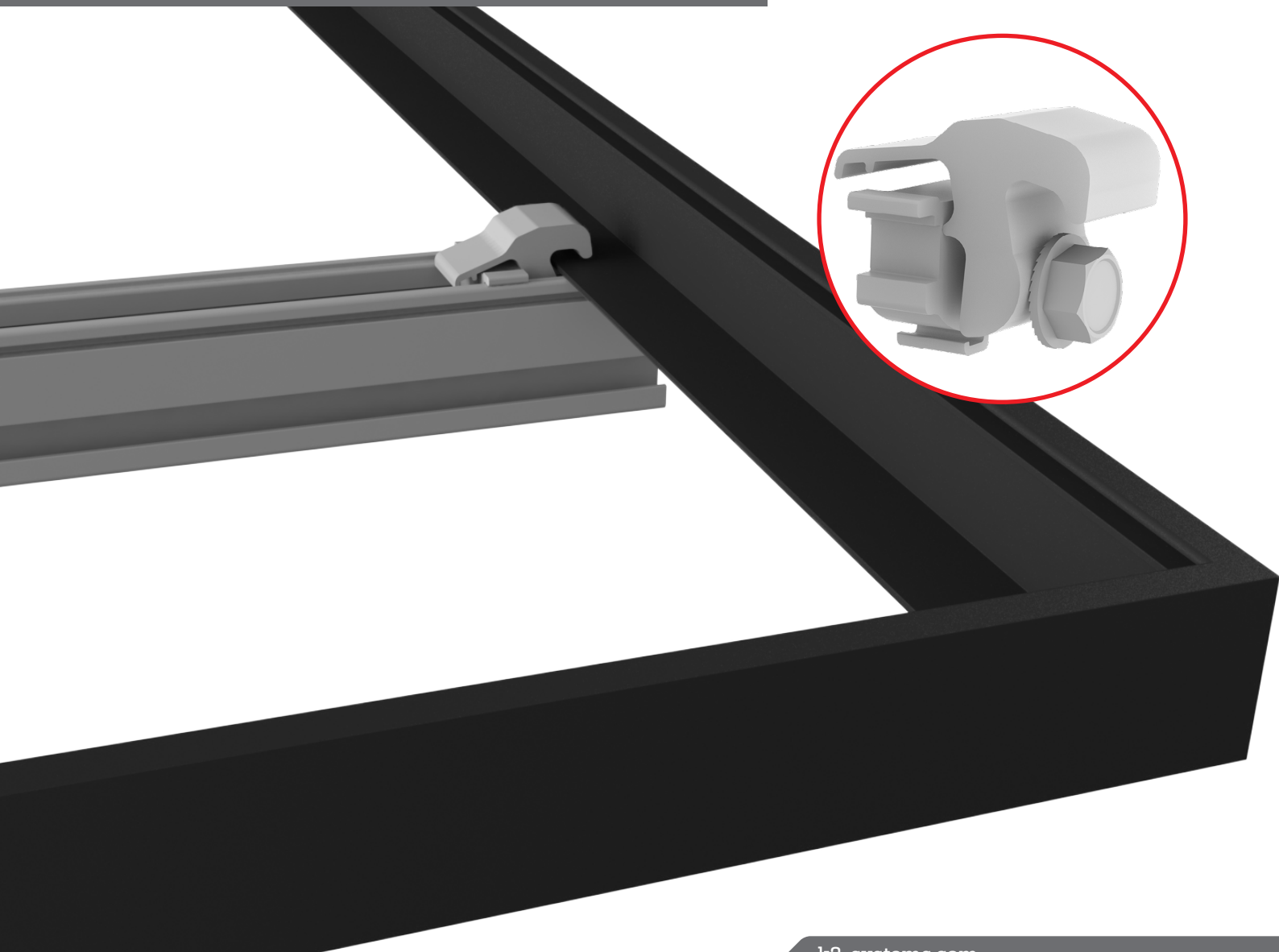


Yeti Clamp

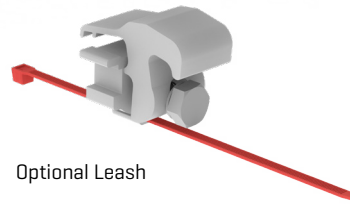
QUICK GUIDE



Components



Part Number	Description
4000050-H	Yet Hidden EC for CrossRail, 13 mm Hex



Optional Leash

Tools overview



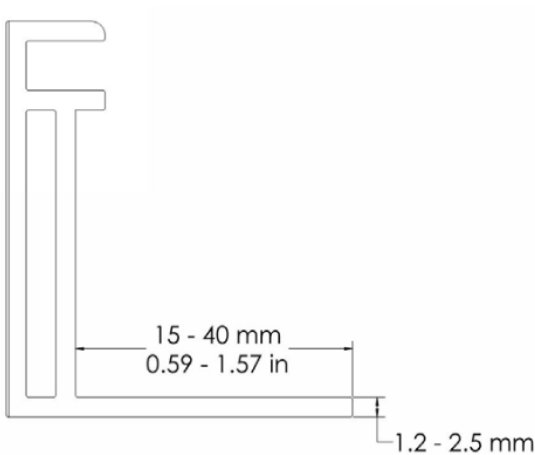
10-50 ft-lb
[6 - 35 Nm]



13 mm dep socket
▶ Torque 11.8 ft-lbs

Important note

The Yeti Clamp must be installed in an array. It cannot be installed on a single module that is not connected to the array by a mid clamp.



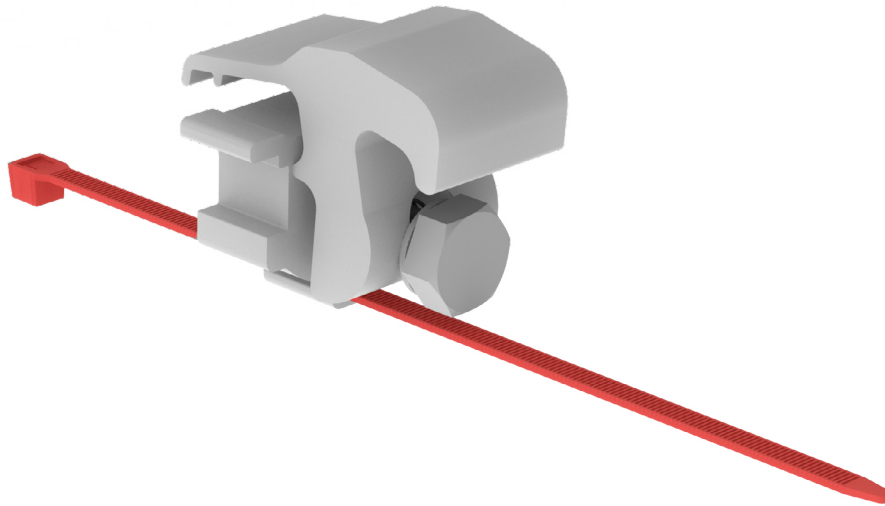
Frame Compatibility:
Flange Thickness = 1.2 - 2.5 mm
Flange Width = 15 - 40 mm

Assembly



1

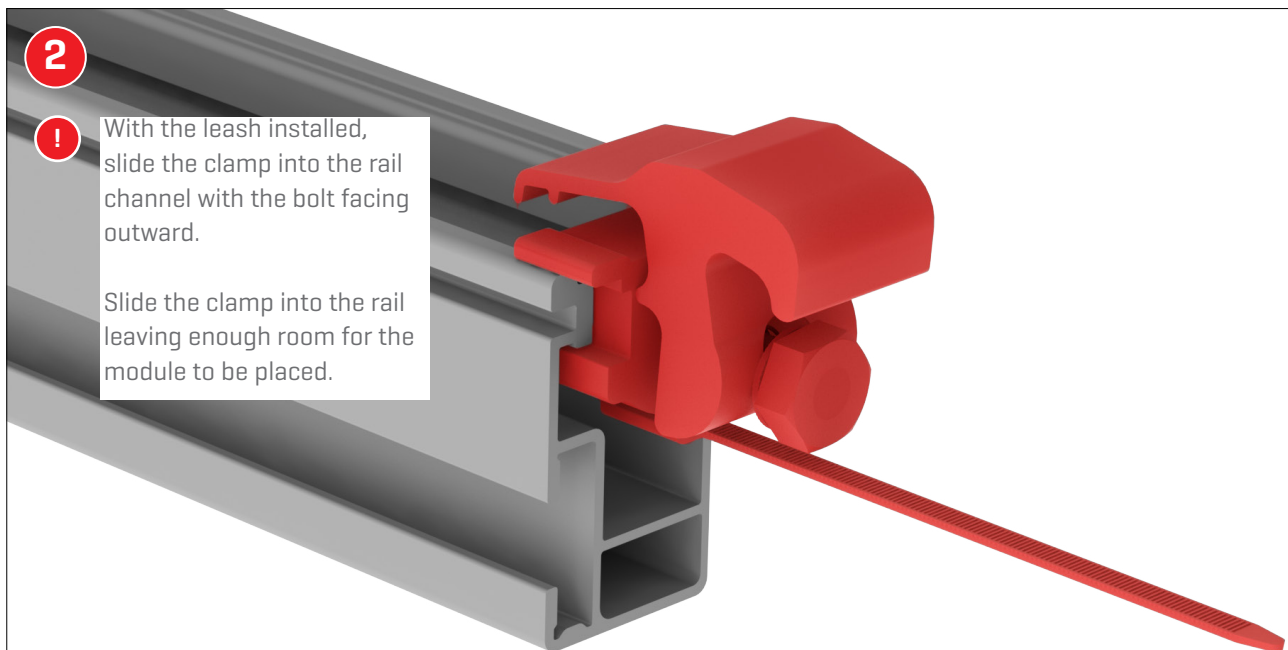
- ! The Yeti Clamp comes preassembled and ready to install. Push the zip tie up into the leash channel located at the bottom of the Yeti Clamp. The zip tie is used as an optional leash. It is not required, but acts as an installation aid.



2

- ! With the leash installed, slide the clamp into the rail channel with the bolt facing outward.

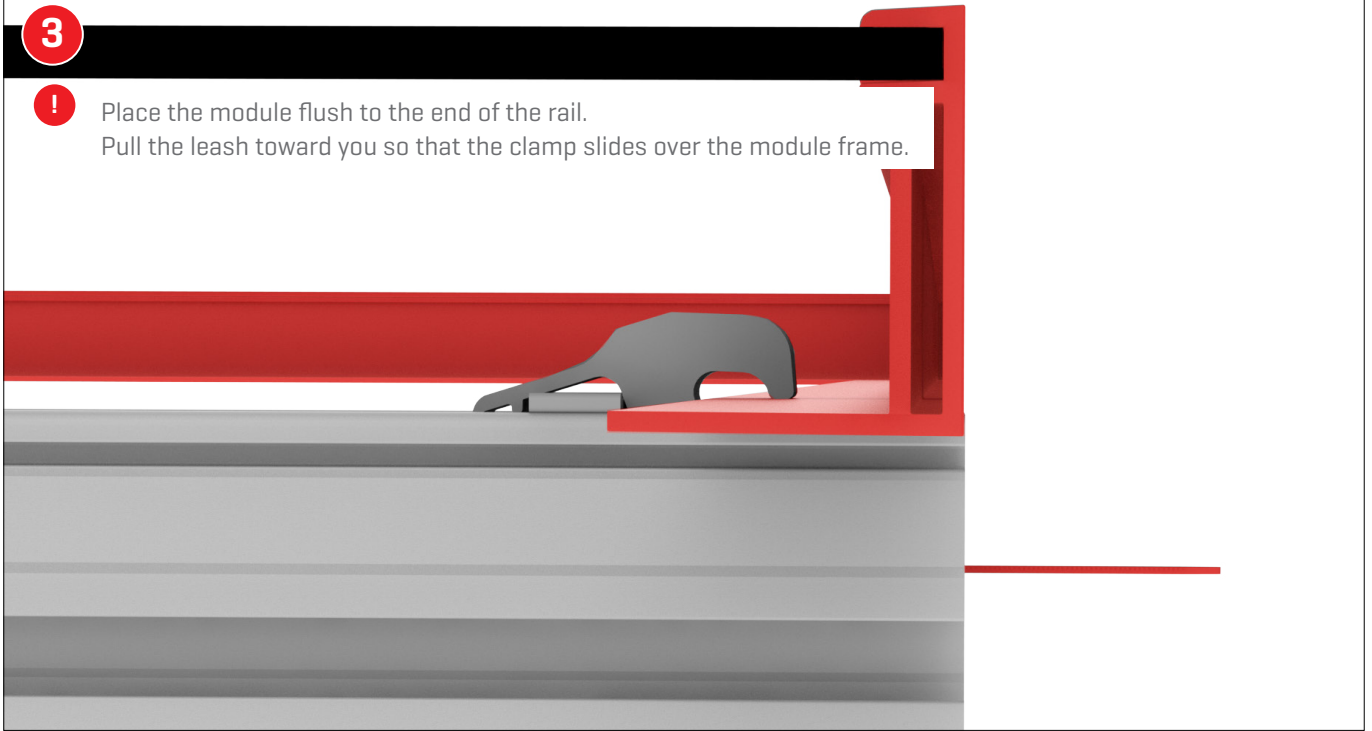
Slide the clamp into the rail leaving enough room for the module to be placed.



3



Place the module flush to the end of the rail.
Pull the leash toward you so that the clamp slides over the module frame.



4



Using a torque wrench or standard drill with a 13mm dep socket, pull the clamp towards you and tighten the bolt.
Do not use an impact drill.
Torque: 12 ft-lbs

