

DESCRIPTION:

SNAPNRACK, SMART CLIP I AND II

DRAWN BY:

mwatkins

REVISION:

A

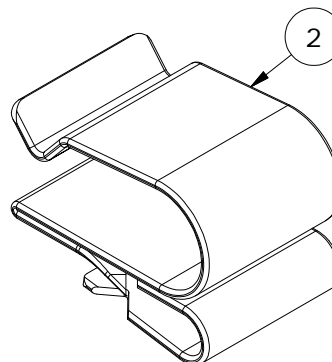
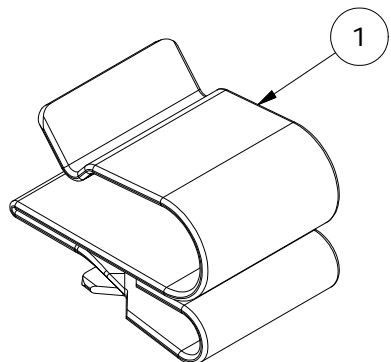
SnapNrack™
Solar Mounting Solutions

PART NUMBER(S):

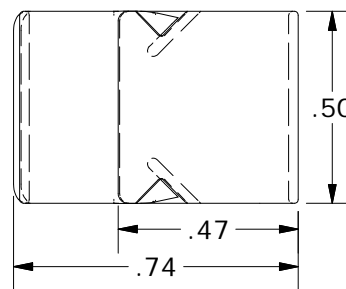
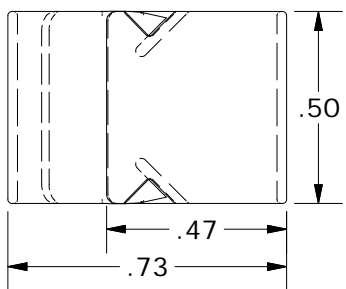
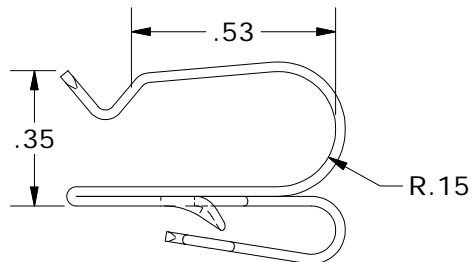
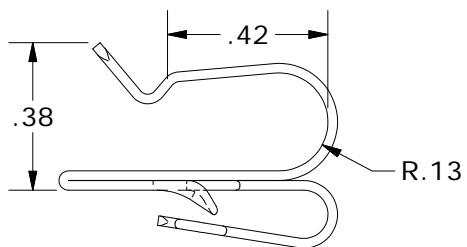
232-01170, 232-01173

595 MARKET STREET, 29TH FLOOR • SAN FRANCISCO, CA 94105 USA
PHONE (415) 580-6900 • FAX (415) 580-6902

THE INFORMATION IN THIS DRAWING IS CONFIDENTIAL AND PROPRIETARY. ANY REPRODUCTION, DISCLOSURE, OR USE THEREOF IS PROHIBITED WITHOUT THE WRITTEN CONSENT OF SUNRUN SOUTH LLC.



SMART CLIP PROPERTIES		
ITEM	SKU	COMPONENT
1	232-01170	SMART CLIP I
2	232-01173	SMART CLIP II



MATERIALS:

STAINLESS STEEL

OPTIONS:

DESIGN LOAD (LBS):

N/A

ULTIMATE LOAD (LBS):

N/A

TORQUE SPECIFICATION:

N/A LB-FT

CERTIFICATION:

UL 2703, FILE E359313

WEIGHT (LBS):

0.01