

Slimline Plus™ 1250



User's Manual / Manual de Usuario

Please visit our website for the latest information on this product.
Visite nuestro sitio web para obtener la información más reciente sobre este producto.



RoHS
compliant



Slimline Plus™ 1250 Power Inverter by Wagan Tech®

INTRODUCTION

Thank you for purchasing a Wagan Tech® Slimline™ Plus 1250 Power Inverter. With minimal care and proper treatment, it will provide years of reliable service.

In an industry where the actual wattage output varies so greatly, Wagan Tech is proud to introduce TrueRated Power™ technology. All our inverters feature TrueRated Power. That simply means power tested and rated at a period of 24 hours continuous usage under full load. Many competing products claim “continuous duty”, when they are often only 20 minutes of “continuous” duty at full output. We also build our inverters with High Peak Surge rating to support motorized appliance start up.

Read and understand this manual before installing and operating this inverter. Keep this manual for future use.

FEATURES

- LED display panel shows the operating status of the inverter.
- Multiple AC outlets allow for more than one appliance to be powered at the same time.
- Mounting holes allow for safe stable installation.
- High Peak Power: Allows you to power appliances that require large initial start-up wattage.
- Low Battery Alarm: The inverter sounds an audible alarm then turns itself off if the battery voltage becomes too low.
- Auto Shutdown/Reset Protection: The inverter temporarily shuts itself down to protect itself from overheating.
- Overload/Short Circuit Protection: The inverter automatically turns itself off if the connected load is too large or if it shorts.

WARNINGS

- Do not attempt to open the inverter enclosure. High voltage inside the unit is the same type of power as your electrical outlets at home.
- Do not operate the inverter in or around water. The voltage of the unit makes it an electrical shock hazard if operated in wet conditions. Do not let any plugged in appliance's cord get wet.



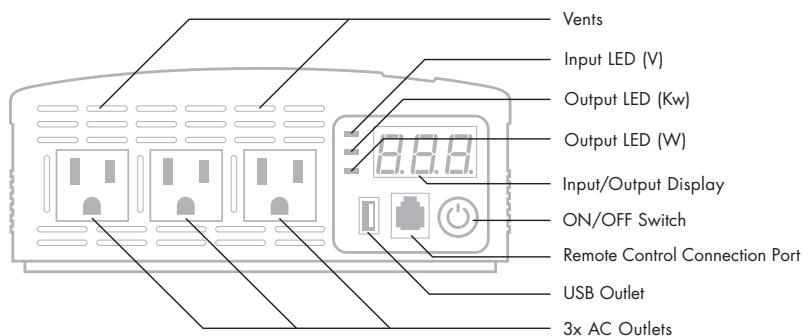
User's Manual—Read before using this equipment

- Do not connect the AC inverter directly to another AC power source.
- Keep it away from children: The inverter produces power just like AC wall outlets at home and it should be treated seriously.

CAUTIONS

- Do not use the inverter in a positively grounded vehicle.
- Allow at least 2 inches of clearance around the inverter for air flow.
- If you operate the inverter in a moving vehicle, you need to secure the inverter to prevent it from shifting around while the vehicle is moving.
- If there is anything wrong with the inverter, disconnect all power.
- The following operations will damage and void the warranty of the inverter:
 - * Reversing polarity by connecting DC cables to incorrect terminals.
 - * Connecting the inverter to a power source greater than 15V DC

FRONT PANEL



ON/OFF Switch – Controls operation of the inverter.

Input and Output LED's – When lit, indicate the measurement shown on the Input/Output Display.

Input/Output Display – Displays the input or output of inverter, or the corresponding Error Code in the event of malfunction. Display cycles between input and output approximately every 5 seconds.

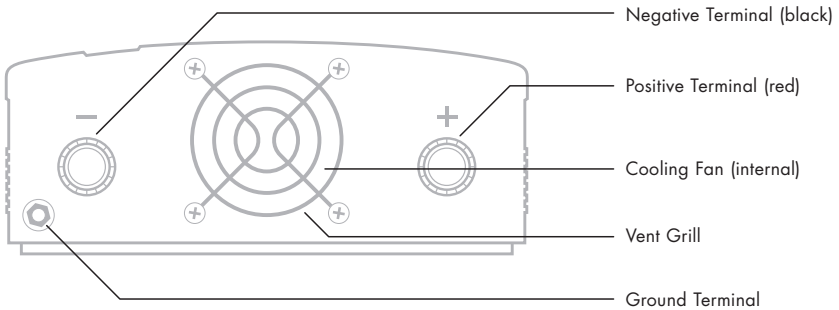
ERROR CODES

See Troubleshooting section in the event of malfunction.

E01	Low battery voltage (less than 9.5V)
E02	Over voltage (greater than 15V)
E03	Overload
E04	Over temperature
E05	Short circuit

REAR PANEL

All inverters described in this manual have two terminals for connecting battery cables. One terminal is the Positive (+) terminal [red]; the other is the Negative (-) terminal [black]. The Positive battery cable should have a Battery Protection Fuse installed within one foot of the battery connection. The negative cable can be directly attached to the negative battery terminal. In some cases, a metal vehicle frame can be used as part of the negative cable to the battery.



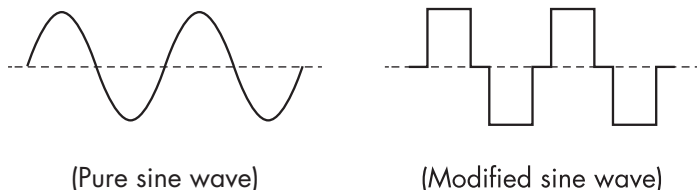
High Speed Fan – The fan turns on when there is a high load or an elevated temperature to keep the inverter cool. Do not block. Keep 2-inch clearance.

Ground Terminal – This terminal is for attaching a 6 gauge insulated safety ground wire. This safety wire protects personnel if there is an unlikely failure in either the cabling or enclosure insulation. Do not directly connect this ground to the negative DC terminal on the inverter. This safety wire is to be connected to the vehicle frame or earth ground or negative battery terminal as described in the installation procedure.



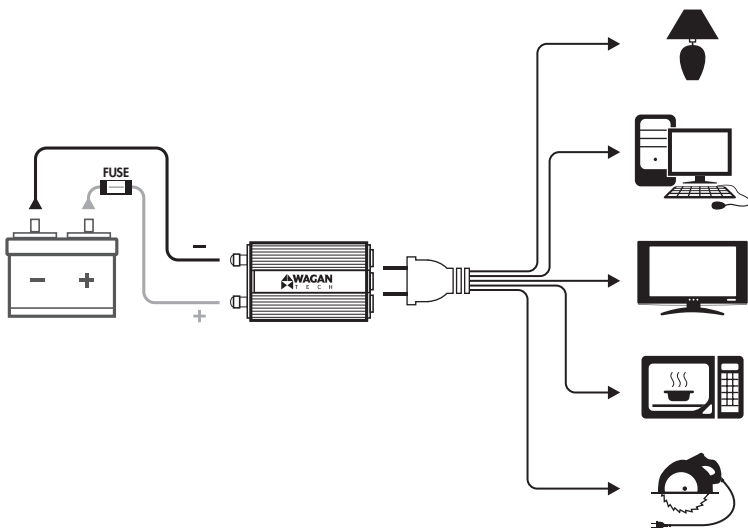
MEASURING THE AC VOLTAGE

This inverter's AC output is a modified sine wave (MSW) 115 volts AC. Your household AC output is pure sine wave. The comparison of modified sine wave and household AC is shown in the figure below.



This modified sine wave has a root mean square (RMS) voltage of 115 volts. Most ordinary AC voltmeters are calibrated to read "average" voltage and assume that the AC waveform will be a pure sine wave. These meters will not correctly read MSW voltage, and will display about 20 to 30 volts too low. Any multi-meter identified as "TRUE RMS" will accurately read MSW correctly.

PRODUCT USAGE



BASIC OPERATION

- Press the ON/OFF Switch that is located at the front of the inverter, the Input/Output Display will light up as an indicator that the unit is working.
- Plug your appliance(s) into the AC socket(s) at the front of the inverter.
- To turn inverter off, press the ON/OFF Switch.

PLANNING THE INVERTER SYSTEM

Any large wattage inverter system requires planning before installation. There are several steps to the planning process so the user must determine the following:

- Maximum inverter wattage required.
- Operating time (run time) needed between battery recharges.
- Battery bank capacity in amp-hours.
- Charger requirement to charge batteries within a practical time.
- Distance between battery bank and inverter.

DETERMINING MAXIMUM APPLIANCE WATTAGE

Maximum AC Appliance Wattage is the first factor in planning battery and charging systems. Some background:

Large microwave oven specifications list cooking power (watts) and appliance power. Appliance power is the AC load the inverter has to supply.

Most other electrical tools, appliances and audio/video equipment have labels that list the unit's power requirements in watts. If the tool or device is rated in amps, multiply the amps by 115 (115V AC) to determine the watts. For example, a power tool rated at 4-amps will draw 460 watts.

Determine the wattage of each appliance you need to simultaneously operate. Add all of the appliance wattages to obtain an estimated "total watts" number. Remember to consider the start-up surge that motorized appliances will cause. Do not exceed the surge rating of this inverter. This can cause immediate overload shut down.

At maximum continuous output, this inverter requires a DC power supply (battery bank) that can continuously supply 125 amps @ 12V for the duration of the run time.



CONFIGURING THE BATTERY BANK

To determine the minimum battery ampere-hour rating that you will need to operate appliances from the inverter, and any DC appliances powered by the battery bank, follow these steps:

(The following calculations are specific to 12V systems.)

1. List the maximum continuous wattage that the inverter has to supply.
2. Estimate the number of hours the appliances will be in use between battery recharges. This will vary depending on appliances.

For example, a typical home-use coffee maker draws 500 watts during its brew time of 5 minutes, but it only requires 100 watts thereafter to maintain the temperature of the pot. Similarly, a typical use of a microwave oven is only for a few minutes. Some longer operating time appliances are lamps, TV's, computers, and refrigerator/freezers.

3. Determine the total watt-hours of energy needed. This is done by multiplying average power consumption in watts by hours of run time. For example: 1,000 watts for 10 hours = 10,000 watt hours.

To get an estimate of the maximum current (in amps) that a battery bank must be capable of delivering to the inverter, divide the load watts by 10. For example a 1,000 watt appliance load will need 100 amps at 12 Volts DC.

Using the 1,000 watts for 10 hours example as above, then 100 amps is needed for 10 hours. This provides us with the basic amp-hours (Ah) of battery that is required. Ten hours at 100 amps equals 1,000 Amp Hours (Ah). This answer is just a beginning of configuring the battery bank because there are additional factors that determine actual run time. These include:

- AC appliance load and time in use (basic Ah)
- Cable gauge and length (cable losses)
- Charge level of the batteries (between use, chargers have to be able to fully charge the batteries)
- Temperature of the batteries (colder batteries provide fewer amps)
- Age and condition of the batteries (older batteries lose Ah capacity)
- Compliance with turning off unnecessary AC loads

Slimline Plus™ 1250 Power Inverter by Wagan Tech®

- Use of DC appliances and compliance with turning off unnecessary DC loads
- If the inverter is installed in a vehicle and the alternator output in Amps cannot supply enough current for the inverter, additional batteries are required to supply the required current.

DERATING THE BATTERY BANK

Most lead-acid batteries have a rating expressed in amp-hours (Ah). The most common rating of Ah is at the “20-hour rate”.

For example, if a 20Ah battery is discharged at a 1 amp rate, it will take 20 hours to discharge that battery. The terms “charged” and “discharged” relate to actual battery voltage. This means that the output voltage of a nominal 12 volt battery starts at 13.2 volts (fully charged) then drops to 10.6 volts (discharged). If the load on the battery causes the battery to discharge faster than the 20 hour rate, the capacity (Ah) of the battery is measurably reduced (derated). Derating is a major run time factor. Some benchmarks are as follows:

- If an 100 Ah Battery is discharged at 100 Amps, the battery capacity acts like a 56 Ah battery.
- If an 100 Ah Battery is discharged at 200 Amps, the battery capacity acts like a 32 Ah battery.

Again, both high discharge rates are faster than the 20-hour rate so battery capacity seems lower.

INSTALLATION

Safe installation requires that a Battery Protection fuse is installed within one foot of the positive (+) battery Terminal [red]. Use ANL marine fuses or equal because they do not spark when they blow. Use an appropriate fuse holder for the fuse. ANL fuse holders can be mounted so they do not move in a vehicle or vessel.

CONNECTING THE INVERTER

Loose DC (battery) connections will result in a severe voltage drop that can cause damage to connectors, conductors, and insulation and can cause sparking. Reverse polarity connection can permanently damage the inverter. Damage caused by reverse polarity will void the warranty.



WARNING:

Venting batteries produce explosive, corrosive gases. There is danger of explosion. DO NOT connect or disconnect BATTERY cables directly after battery discharge or recharge. Make sure that the battery bank area is well vented before attaching or removing cables.

NOTES: All recommended cable gauges and fuse sizes are located at the rear of this manual in the Cable Gauge Table. The table describes Cable Gauges for lengths greater than supplied cables.

“Round Trip” refers to actual cable distance in feet from the POS (+) battery terminal to the inverter and back to the NEG (-) battery terminal.

Crimp-on ring terminals are required on all cable ends. The cable ends need to be stripped of insulation for ½ inch before crimping on ring terminals. Select a crimp terminal size to fit the cable gauge and inverter and battery terminal connectors. After crimping, make sure that the cable connectors are secure on the cables so there are no loose connections.

CAUTION: Making an initial connection between the positive cable end and the inverter's positive terminal may cause a spark. This is normal and is a result of capacitors in the inverter starting to charge. Because of the possibility of sparking, it is extremely important that both the inverter and the battery bank be positioned away from any source of flammable fumes or gases. Failure to heed this warning can result in fire or explosion. Do not make the positive terminal connection immediately after the batteries have been charging. Allow time for the battery gasses to vent to outside air.

GROUND TERMINAL WIRE REQUIREMENTS

Use a minimum of 6 gauge stranded wire for enclosure ground wire. Connect this to the chassis of your vehicle or to the grounding system in your boat. In a city, the ground wire can connect to a metal cold water pipe that goes underground. In remote locations, the ground wire can be connected to an “earth ground”. This can be an attachment to a 6 foot long copper clad metal rod driven into the ground. In the unlikely event of a short circuit, operating the inverter without proper grounding can result in electrical shock. Do not directly connect this ground to the negative terminal on the inverter.

INSTALLATION PROCEDURE

1. Mount the inverter in a secure location. If the inverter is to be mounted on a wall, mount it horizontally. Make sure that the front and rear of the inverter has free air flow.
2. Make sure the cables are the proper gauge and have the fuse holder as close to the battery bank's Positive (+) terminal as possible.
3. Install the fuse in the Positive (+) cable (Refer to the Cable Gauge Table at rear of manual).
4. Install the ground wire from the ground terminal to the grounding point.
5. Connect the Negative (-) cable end to the inverter terminal and battery's Negative Terminal. Make sure you have good, secure connections.
6. Recheck and make sure the DC cable fuse is installed in the fuse holder.
7. Attach the positive cable to the Positive (+) DC connector on the battery and then the inverter. Make sure the connections are tight and secure.
8. Turn on the inverter from the Front Panel ON/OFF Switch.
9. Make certain that the LED display is reading normal with no errors displayed.
10. Turn OFF (O) the inverter. The Fault LED may briefly flash; this is normal. The audible alarm may also sound a short chirp; this is also normal.
11. When you have confirmed that the appliance to be operated is turned off, plug the appliance into one of the AC outlets on the inverter.
12. Turn the inverter on.
13. Turn the appliance on. The appliance should begin working.
14. Observe the LED display for normal operation.

If flooded lead acid batteries are used, be sure that periodic checks of battery electrolyte levels are accomplished. Follow battery manufacturer's instructions in keeping the electrolytes at the proper level. Be sure to use pure distilled water when replacing evaporated electrolyte liquid.



USING THE REMOTE

The remote panel has the same functions as the display on the front of the unit. Connect the remote cable to the remote control connection port on the AC side of the inverter. The inverter can be controlled by either the front panel or the remote on/off switch.

OPERATING TIPS

ADDING AN EXTENSION CORD

You may use up to 100 feet of high quality, heavy-duty extension cord. A longer cord will result in reduced power to appliances.

BUZZ IN AUDIO SYSTEMS

Some stereo systems and portable radios will emit a buzzing noise from their speakers when operated from the power inverter because the power supply in the device does not adequately filter the modified sine wave produced by the power inverter. The only solution is to use a sound system that incorporates a higher quality power supply.

TELEVISION INTERFERENCE

Operating the power inverter can interfere with television reception on some channels. If this situation occurs, the following steps may help to alleviate the problem:

- Do not operate high power loads with the power inverter while watching television.
- Make sure the antenna feeding your television provides an adequate static-free signal and you are using good quality cable between the antenna and the television.
- Move the television as far away from the power inverter as possible.
- Keep the cables between the battery and the power inverter as short as possible and twist them together with about 2 to 3 twists per foot. This minimizes radiated interference from the cables.
- Ferrite beads may be installed around battery cables and AC appliance cords to reduce noise.

MAINTENANCE

Very little maintenance is required to keep the inverter operating properly. Periodically check to ensure all terminals and connectors are secure and tight.

HEAT DISPERSAL

The inverter generates heat while it is working. This is not a malfunction. However, if the inverter gets too hot while working, it will turn off by itself. Position the inverter where air flows freely around it to allow the heat to disperse. The inverter's thermal protection prevents it from operating when its temperature exceeds 130°F ± 10°F.

TROUBLESHOOTING

ERROR CODES

Code	Reason	Solution
E01	Low battery voltage (less than 9.5V—Poor or weak battery condition)	Recharge or replace battery.
E02	Over voltage (greater than 15V)	Check battery connection/voltage. Inverter is only compatible with 12V battery systems.
E03	Overload—Equipment being operated draws too much power	Use a higher capacity inverter or do not use this equipment.
E04	Over temperature—Inverter is too hot (thermal protection mode)	Allow inverter to cool. Check for adequate ventilation. Reduce the load on the inverter to rated continuous power output.
E05	Short circuit	Check cable routing/connections. Check appliance, verify it is working properly.

PROBLEM: Low or No Output Voltage

Reason	Solution
Poor contact with battery or inverter terminals.	Clean terminals thoroughly. Reinstall and tighten.

PROBLEM: Inverter Automatically Shut Down

Reason	Solution
Unit may be defective.	See warranty and call customer service.

PROBLEM: Single Beeping Sound

Reason	Solution
Input voltage below 10.5V.	Keep input voltage above 10.5V.
Poor or weak battery condition.	Recharge or replace battery.
Poor or loose cable connection.	Inspect terminals and tighten all connections.
Inadequate power being delivered to the inverter or excessive voltage drop.	Use heavier gauge DC cable. Keep cable length as short as possible.


DISPOSAL/RECYCLING OF INVERTER

Electronic products are known to contain materials that are toxic if improperly disposed. Contact local authorities for disposal and recycling information.

Slimline Plus™ 1250 Power Inverter by Wagan Tech®

SPECIFICATIONS

All specifications are typical at nominal line, half load and 77°F unless otherwise noted. Specifications are subject to change without notice.

Name	Description
Input	11-15V DC Input
AC Output	115V
Output frequency	60 Hz
Output waveform	Modified Sine Waveform
TrueRated™ Power (24-hour continuous)	1,250 Watts
Peak Surge	2,600 Watts
Efficiency	Max. 90%
No load current	< 0.5 Amps
Low battery alarm	10.5V ± 0.5V DC
Low battery automatic shutdown	9.5V ± 0.5V DC
Alarm and thermal shutdown	130 °F ± 10°
AC Outlets 	3 NEMA 5-15 USA
USB Outlet	2.0A
Dimensions (L x W x H) inches	12.0 x 7.0 x 2.9
Net Weight	6.0 lbs
Remote Cord Length	26 ft.

CABLE GAUGES BASED ON ROUND TRIP CABLE LENGTHS

1,250W										
Input	Cable length (feet)	6	8	10	12	14	16	18	20	Fuse* (Amps)
12V	Gauge (AWG)	2	0	0	00	00	000	0000	0000	200

*Battery protection fuse not included.



www.wagan.com

WAGAN Corp. Limited Warranty

The WAGAN Corporation warranty is limited to products sold only in the United States.

Warranty Duration:

Product is warranted to the original purchaser for a period of two (2) years from the original purchase date, to be free of defects in material and workmanship. WAGAN Corporation disclaims any liability for consequential damages. In no event will WAGAN Corporation be responsible for any amount of damages beyond the amount paid for the product at retail.

Warranty Performance:

During the warranty period, a product with a defect will be replaced with a comparable model when the product is returned to WAGAN Corporation with an original store receipt. WAGAN Corporation will, at its discretion, replace or repair the defective part. The replacement product will be warranted for the balance of the original warranty period. This warranty does not extend to any units which have been used in violation of written instructions furnished.

Warranty Disclaimers:

This warranty is in lieu of all warranties expressed or implied and no representative or person is authorized to assume any other liability in connection with the sale of our products. There shall be no claims for defects or failure of performance or product failure under any theory of tort, contract or commercial law including, but not limited to negligence, gross negligence, strict liability, breach of warranty, and breach of contract.

Returns:

WAGAN Corporation is not responsible for any item(s) returned without an official Return Authorization number (RA#). Please contact our customer service team by phone or email to obtain an RA#. You can also visit our website and chat with our team during our normal business hours. For more details and instructions on how to process a warranty claim, please read the "Returns" section under the "Contact" page on our website. WAGAN Corporation is not responsible for any shipping charges incurred in returning the item(s) back to the company for repair or replacement.

Register your product online at <http://tinyurl.com/wagan-registration> to be added to our email list. You will receive previews on our upcoming products, promotions, and events.

INTRODUCCIÓN

Gracias por adquirir un inversor de energía Slimline™ Plus 1250 de Wagan Tech®. Con unos cuidados mínimos y un tratamiento adecuado le ofrecerá años de servicio fiable.

En una industria en la que varía tanto la salida de vatios real, Wagan Tech se enorgullece en presentar la tecnología TrueRated Power™. Los cuatro inversores disponen de TrueRated Power. Significa que la energía se ha probado y calculado en un periodo de 24 horas de uso continuo a carga completa. Muchos otros productos afirman un "funcionamiento continuo", mientras que a menudo solamente ofrecen 20 minutos de uso "continuo" a plena capacidad. También fabricamos nuestros inversores con una clasificación de subida en punta alta para soportar el encendido de aparatos motorizados.

Lea y comprenda este manual antes de instalar y usar este inversor. Conserve este manual como referencia en el futuro.

CARACTERÍSTICAS

- El panel de visualización LED muestra el estado operativo del inversor.
- Múltiples tomas de CA permiten alimentar más de un aparato simultáneamente.
- Los agujeros de montaje permiten una instalación segura y estable.
- Alta potencia en punta: Le permite alimentar aparatos que requieran una gran cantidad de vatios inicial para el arranque.
- Alarma de batería baja: El inversor emite una alarma audible y se apaga si la voltaje de la batería se gasta en exceso.
- Apagado automático/Protección de reinicio: El inversor se apaga temporalmente para protegerse contra sobrecalentamiento.
- Protección contra sobrecarga/cortocircuito: El inversor se apaga automáticamente si la carga conectada es excesiva o si se cortocircuita.

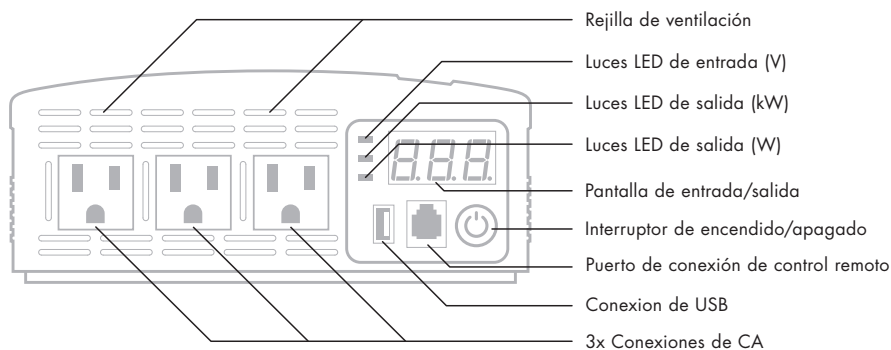
ADVERTENCIAS

- No intente abrir el chasis del inversor. La alta tensión del interior de la unidad es del mismo tipo de alimentación que las tomas eléctricas domésticas.
- No use el inversor dentro ni cerca del agua. La tensión de la unidad hace que sea un riesgo de electrocución si se usa en condiciones de humedad. No deje que se moje el cable de un aparato conectado.
- No conecte el inversor CA directamente a otra fuente de alimentación CA.
- Manténgalo fuera del alcance de los niños: El inversor genera energía como una toma de corriente CA doméstica y debe tratarse con seriedad.

PRECAUCIONES

- No use el inversor en un vehículo con conexión positiva a tierra.
- Deje al menos 5 cm de espacio alrededor del inversor para que circule el aire.
- Si usa el inversor en un vehículo en movimiento, debe asegurar el inversor para evitar que se mueva cuando el vehículo lo haga.
- Si encuentra cualquier problema con el inversor, desconecte toda la alimentación.
- Las operaciones siguientes dañarán el inversor y anularán la garantía:
 - * Invertir la polaridad conectando los cables CC a los terminales incorrectos.
 - * Conectar el inversor a una fuente de alimentación mayor a 15V CC

PANEL DELANTERO



Interruptor de encendido/apagado: controla el funcionamiento del inversor.

Luces LED de entrada y salida: cuando están encendidos, indican la medida mostrada en la pantalla de entrada/salida.

Pantalla de entrada/salida: muestra la entrada o la salida del inversor, o el código de error correspondiente en caso de mal funcionamiento. La pantalla cambia entre la entrada y la salida aproximadamente cada 5 segundos.

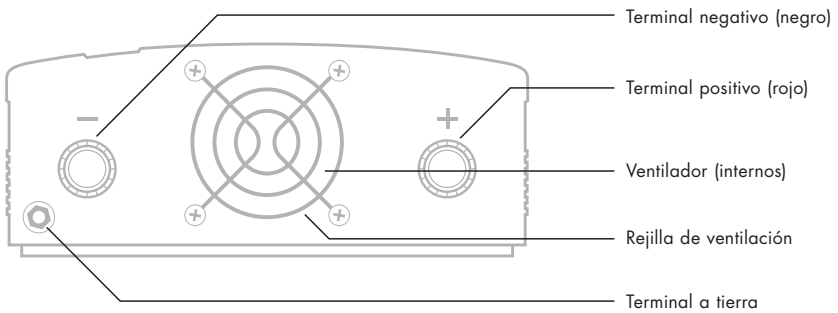
CÓDIGOS DE ERROR

Consulte la sección de solución de problemas en caso de mal funcionamiento.

E01	Baja tensión de la batería (menos de 9,5 V)
E02	Sobretensión (superior a 15 V)
E03	Sobrecarga
E04	Sobretemperatura
E05	Cortocircuito

PANEL TRASERO

Los inversores descritos en este manual tienen dos terminales para conectar cables de batería. Un terminal es el terminal positivo (+) [rojo] y el otro es el terminal negativo (-) [negro]. El cable de batería positivo debería tener un fusible de protección de batería instalado a menos de un pie (30 cm) de la conexión de la batería. El cable negativo puede conectarse directamente al terminal negativo de la batería. En algunos casos se puede usar el chasis metálico de un vehículo como parte del cable negativo a la batería.

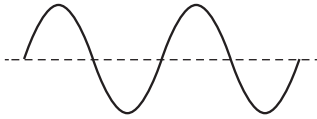


Ventilador de alta velocidad – El ventilador se enciende cuando hay una carga significativa o elevada temperatura para mantener frío el inversor. No lo obstruya. Mantenga 5 cm de espacio.

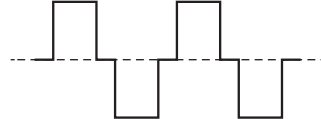
Terminal a tierra – A este terminal se puede conectar un cable aislado a tierra calibre 6 de seguridad. Este cable de seguridad es de protección personal en caso de un fallo poco común en el cableado o en el aislamiento. No conecte este cable directamente a ningún terminal de CC en el inversor. Este cable de seguridad se debe conectar al bastidor del vehículo o a tierra, o al terminal negativo de la batería como se describe en el procedimiento de instalación.

MEDICIÓN DE TENSIÓN CA

La salida CA de este inversor es una onda sinusoidal modificada (MSW) de 115 voltios CA. La salida CA doméstica es una onda sinusoidal pura. La comparación de la onda sinusoidal modificada y la CA doméstica se muestra en la imagen siguiente.



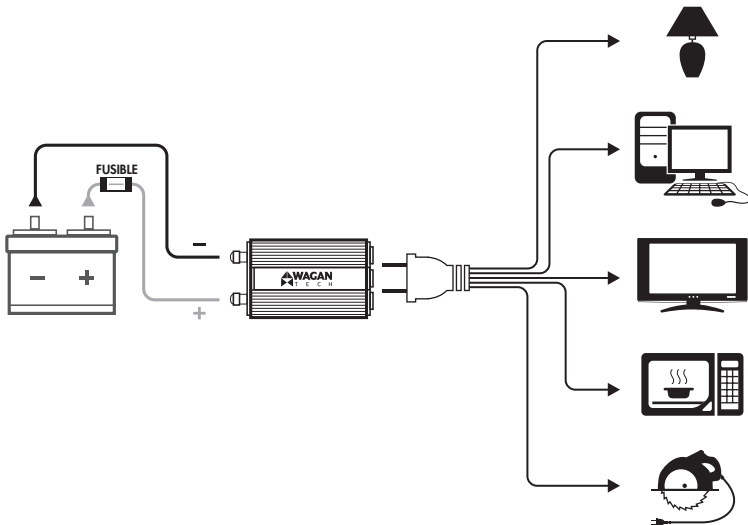
(Onda sinusoidal pura)



(onda sinusoidal modificada)

Esta onda sinusoidal modificada tiene una tensión de raíz cuadrada media (RMS) de 115 voltios. La mayoría de voltímetros CA habituales están calibrados para leer la tensión "media" y asumen que la forma de onda CA será una onda sinusoidal pura. Estos medidores no leerán correctamente la tensión MSW, y mostrarán aproximadamente entre 20 y 30 voltios menos. Cualquier multímetro identificado como "RMS AUTÉNTICO" leerá correctamente y con precisión la MSW.

USO DEL PRODUCTO



FUNCIONAMIENTO BÁSICO

- Encienda el Interruptor de encendido/apagado de la parte delantera del inversor, la pantalla de entrada/salida se encenderá para mostrar que la unidad está funcionando.
- Conecte sus aparatos a las tomas de CA de la parte delantera del inversor.
- Para apagar el inversor, pulse el interruptor de encendido/apagado.

PLANIFICACIÓN DEL SISTEMA INVERSOR

Cualquier inversor de elevados vatios precisa de planificación antes de instalarlo. El proceso de planificación se compone de diversos pasos, por lo que el usuario debe determinar lo siguiente:

- Vatios máximos del inversor necesarios.
- Tiempo de funcionamiento necesario entre recargas de baterías.
- Capacidad del banco de baterías en amperios-horas.
- Requisitos del cargador para cargar las baterías en un tiempo práctico.
- Distancia entre el banco de baterías y el inversor.

DETERMINAR LOS VATIOS MÁXIMOS DEL APARATO

Los vatios máximos CA del aparato son el primer factor para planificar sistemas de baterías y carga. Información de trasfondo:

Las especificaciones de hornos microondas grandes indican la potencia de cocción (vatios) y la potencia del aparato. La potencia del aparato es la carga CA que debe proporcionar el inversor.

La mayoría de las demás herramientas eléctricas, electrodomésticos y equipos audiovisuales tienen etiquetas que indican los requisitos de alimentación de la unidad en vatios. Por ejemplo, las especificaciones de hornos microondas grandes indican la potencia de cocción (vatios) y la potencia del aparato (la carga CA que debe proporcionar el inversor). Si la herramienta o dispositivo se indica en amperios, multiplique los amperios por 115 (115 voltios CA) para determinar los vatios. Por ejemplo, una herramienta indicada en 4 amperios absorberá 460 vatios.

Determine los vatios de cada aparato que quiera usar simultáneamente. Sume los vatios de todos los aparatos para obtener una estimación numérica de "vatios totales". Recuerde tener en cuenta la subida de arranque que causarán los aparatos motorizados. No exceda la clasificación de subida del inversor.

Podría provocar un apagado inmediato por sobrecarga.

Con la potencia continua máxima, este inversor requiere una fuente de alimentación de CC (banco de baterías) que pueda suministrar continuamente 125 amperios a 12 V durante el tiempo de ejecución.

CONFIGURAR EL BANCO DE BATERÍAS

Para determinar la clasificación de amperios-horas mínima de la batería necesaria para usar aparatos con el inversor, y cualquier aparato CC alimentado por el banco de baterías, siga estos pasos:

(Los siguientes cálculos corresponden específicamente a sistemas de 12 V.)

1. Liste los vatios continuos máximos que debe alimentar el inversor.
2. Calcule el número de horas que se usarán los aparatos entre recargas de baterías. Variará según los aparatos.
3. Por ejemplo, una cafetera doméstica habitual absorbe 500 vatios durante el tiempo de preparación de 5 minutos, pero solamente necesita 100 vatios después para mantener la temperatura de la jarra. Igualmente, el uso normal de un horno microondas es de solamente unos minutos. Algunos aparatos que funcionan más tiempo son lámparas, TV, ordenadores y frigoríficos/congeladores.
4. Determine los vatios-horas de energía necesarios en total. Hágalo multiplicando el consumo medio de energía en vatios por las horas de funcionamiento. Por ejemplo: 1.000 vatios durante 10 horas = 10.000 vatios horas.

Para obtener una estimación de la corriente máxima (en amperios) que un banco de baterías debe poder entregar al inversor, divida los vatios de carga por 10. Por ejemplo, un aparato de 1000 vatios necesitará 100 amperios a 12 voltios CC.

Usando los 1000 vatios durante 10 horas como en el ejemplo anterior, se necesitan 100 amperios durante 10 horas. Esto nos proporciona los amperios-horas (AH) básicos de batería necesarios. Diez horas a 100 amperios equivalen a 1.000 amperios-horas (AH). Esta respuesta es solamente el comienzo de la configuración del banco de baterías, porque hay factores adicionales que determinan el tiempo de funcionamiento real. Incluyen:

- Carga de aparatos CA y tiempo de uso (AH básicos).
- Medida y longitud de cable (pérdidas de cable)



- Nivel de carga de las baterías (entre usos, los cargadores deben poder cargar por completo las baterías)
- Temperatura de las baterías (las baterías más frías proporcionan menos amperios)
- Edad y estado de las baterías (las baterías más viejas pierden capacidad de AH)
- Apagar las cargas CA innecesarias.
- Uso de aparatos CC y apagado de cargas CC innecesarias.
- Si el inversor está instalado en un vehículo y la salida del alternador en amperios no puede proporcionar la corriente suficiente para el inversor, son necesarias baterías adicionales para proporcionar la corriente.

REDUCIR EL BANCO DE BATERÍAS

La mayoría de baterías de plomo-ácido tienen una clasificación expresada en amperios-horas (AH). La clasificación más habitual de AH es "a ritmo de 20 horas".

Por ejemplo, si una batería 20AH se descarga a un ritmo de 1 amperio, tardará 20 horas en descargarse. Los términos "cargado" y "descargado" se refieren a la tensión real de la batería. Esto implica que la tensión de salida de una batería con 12 voltios nominales comienza a 13.2 voltios (totalmente cargada) y cae hasta 10.6 voltios (descargada). Si la carga de la batería hace que se descargue con mayor rapidez que el ritmo de 20 horas, la capacidad (AH) de la batería se reduce de forma detectable (reducida). La reducción es un factor importante del tiempo de funcionamiento. A continuación se muestran algunas referencias:

- Si se descarga una batería de 100 Ah a 100 amperios, la capacidad de la batería funciona como una batería de 56 Ah.
- Si se descarga una batería de 100 Ah a 200 amperios, la capacidad de la batería funciona como una batería de 32 Ah.

De nuevo, ambos ritmos de descarga, altos, son más rápidos que el ritmo de 20 horas por lo que la capacidad parece menor.

INSTALACIÓN

Una instalación segura, precisa de la instalación de un fusible de protección de batería a menos de un pie (30 cm) del terminal positivo (+) de la batería [rojo]. Use fusibles marinos ANL o equivalentes, que no emiten chispa al saltar. Use un soporte de fusible adecuado para el fusible. Los soportes de fusibles ANL pueden montarse de forma que no se muevan en un vehículo o embarcación.

CONECTAR EL INVERSOR

Las conexiones sueltas CC (batería) provocarán una grave caída de tensión que puede dañar los conectores, conductores y el aislamiento, y provocar chispas. La conexión con polaridad inversa puede dañar permanentemente el inversor. Los daños causados por una polaridad inversa anularán la garantía.

ATENCIÓN:

Las baterías producen gases explosivos y corrosivos. Riesgo de explosión. NO conecte ni desconecte los cables de la BATERÍA directamente tras descargar o recargar la batería. Asegúrese de que la zona del banco de baterías esté bien ventilada antes de conectar o sacar cables.

NOTAS: Todas las medidas de cable y tamaños de fusible recomendados se encuentran al final de este manual, en la tabla de medidas de cable. La tabla describe la medida del cable para longitudes superiores a las de los cables proporcionados.

“Recorrido” se refiere a la distancia real del cable en pies desde el terminal de batería POS (+) por el inversor y de vuelta al terminal de batería NEG (-).

Son necesarios terminales en anilla crimpables en todos los extremos de cable. Los extremos de cable deben pelarse de aislamiento 1,75 cm antes de crimparlos a los terminales de anilla. Seleccione un tamaño de terminal de crimpado que se adapte a la medida del cable y a los conectores del inversor y el terminal de batería. Después de crimpar, asegúrese de que los conectores de cable estén fijados sobre los cables de forma que no queden conexiones sueltas.

PRECAUCIÓN: Realizar una conexión inicial entre el extremo del cable positivo y el terminal positivo del inversor puede provocar una chispa. Es normal y se produce por el inicio de carga de los capacitadores del inversor. Debido a la posibilidad de chispas, es muy importante que tanto el inversor como el banco de baterías estén alejados de cualquier fuente de vapores o gases inflamables. No obedecer esta advertencia puede provocar un incendio o explosión. No realice la conexión del terminal positivo inmediatamente después de cargar las baterías. Deje tiempo para que los gases de las baterías se ventilen al aire libre.



REQUISITOS DEL CABLE PARA EL TERMINAL A TIERRA

Use un cable trenzado de espesor 6 como cable a tierra. Conéctelo al chasis de su vehículo o a al sistema de puesta a tierra de su embarcación. En la ciudad, el cable a tierra no debe conectarse a una tubería metálica de agua fría subterránea. En sitios remotos, el cable a tierra puede conectarse a “tierra” directamente. Puede ser unido a una varilla metálica de cobre de 6 pies de longitud clavada en la tierra. En el caso poco probable de un cortocircuito, utilizar el inversor sin la debida puesta a tierra puede causar choque eléctrico. No conecte este cable a tierra directamente al terminal negativo en el inversor.

PROCEDIMIENTO DE INSTALACIÓN

1. Monte el inversor en una ubicación segura. Si el inversor se va a montar en una pared, móntelo en posición horizontal. Asegúrese de que las partes delantera y trasera del inversor tengan un paso de aire libre.
2. Asegúrese de que los cables sean de la medida adecuada y tener el soporte de fusible tan cerca del terminal positivo (+) del banco de baterías como sea posible.
3. Instale el fusible en el cable positivo (+) (Consulte la tabla de medida de cable en la parte posterior del manual).
4. Instale el cable a tierra desde el terminal a tierra hasta el punto de puesta a tierra.
5. Conecte el extremo del cable negativo (-) al terminal del inversor y al de batería negativo (-). Asegúrese de tener conexiones correctas y seguras.
6. Vuelva a comprobar y asegúrese de que el fusible del cable CC esté instalado en el soporte del fusible.
7. Conecte el cable positivo al conector CC positivo (+) de la batería y luego al inversor. Asegúrese de que las conexiones estén firmes y seguras.
8. Encienda el inversor con el interruptor de encendido/apagado del panel delantero.
9. Asegúrese de que la pantalla LED indique una lectura normal sin que aparezcan errores.
10. Apague (O) el inversor. El LED de error puede parpadear brevemente; es normal. La alarma acústica también puede sonar brevemente; es normal.

11. Cuando haya confirmado que el aparato que se va a usar esté apagado, enchufe el aparato a una de las tomas CA del panel delantero del inversor.
12. Encienda el inversor.
13. Encienda el aparato. El aparato debería comenzar a funcionar.
14. Observe la pantalla de entrada/salida para confirmar que funciona con normalidad.

Si se usan baterías de plomo-ácido inundadas, asegúrese de comprobar periódicamente los niveles de electrolito de la batería. Siga las instrucciones del fabricante de la batería para mantener los electrolitos al nivel adecuado. Asegúrese de usar agua destilada pura cuando rellene el líquido electrolito evaporado.

CÓMO UTILIZAR EL CONTROL REMOTO

El panel remoto tiene las mismas funciones que la pantalla de la parte frontal de la unidad. Conecte el cable del control remoto al puerto de conexión del mismo situado en el lado de CA del inversor. El inversor puede controlarse mediante el panel frontal o el interruptor de encendido/apagado remoto.

RECOMENDACIONES DE USO

AÑADIR UN CABLE EXTENSOR

Puede usar hasta 30 m de cable de alta calidad y rendimiento. Un cable más largo provocará una reducción de alimentación para los aparatos.

SISTEMAS DE AUDIO CON ZUMBIDOS

Algunos sistemas estéreo y radiocasetes emitirán un zumbido por los altavoces cuando se usen con el inversor, dado que la alimentación del dispositivo no filtra correctamente la onda sinusoidal modificada producida por el inversor. La única solución es usar un sistema de sonido que incluya una fuente de alimentación de mayor calidad.

INTERFERENCIAS EN TELEVISIÓN

Usar el inversor puede interferir con la recepción televisiva en algunos canales. Si se produce esta situación, los pasos siguientes pueden ayudar a reducir el problema:

- No use cargas de alta potencia con el inversor cuando vea la televisión.
- Asegúrese de que la alimentación de antena del televisor produzca una señal adecuada y sin estática, y de estar usando un cable de buena calidad entre la antena y el televisor.
- Aleje el televisor lo máximo posible del inversor.
- Mantenga los cables entre la batería y el inversor lo más cortos posibles y enróllelos, de 6 a 9 retorcimientos por metro. Así reducirá las interferencias emitidas por los cables.
- Puede instalar cuentas de ferrita alrededor de los cables de batería y los cables de aparatos CA para reducir las interferencias.

MANTENIMIENTO

Es necesario muy poco mantenimiento para conservar el funcionamiento del inversor. Compruebe periódicamente que todos los terminales y conectores estén seguros y ajustados.

DISPERSIÓN DE CALOR

El inversor genera calor durante el funcionamiento. No es una avería. Sin embargo, si el inversor se calienta demasiado durante el uso, se apagará solo. Coloque el inversor en un lugar en el que circule el aire libremente a su alrededor para dejar dispersar el calor. La protección térmica del inversor evita que funcione cuando la temperatura exceda los $55^{\circ}\text{C} \pm 5^{\circ}\text{C}$.

SOLUCIÓN DE PROBLEMAS

CÓDIGOS DE ERROR

Código	Causa	Solución
E01	Baja tensión de la batería (menos de 9,5 V): estado de la batería deficiente o débil	Recargue o cambie la batería.
E02	Sobretensión (superior a 15 V)	Revise la conexión/tensión de la batería. El inversor solo es compatible con sistemas de baterías de 12 V.
E03	Sobrecarga: el equipo en funcionamiento consume demasiada energía	Use un inversor de mayor capacidad o no use este equipo.
E04	Sobretemperatura: el inversor está muy caliente (modo de protección térmica)	Deje que el inversor se enfríe. Compruebe que la ventilación sea adecuada. Reduzca la carga del inversor a la potencia nominal continua.
E05	Cortocircuito	Revise el tendido de los cables y las conexiones. Revise el aparato, verifique que funcione correctamente.

PROBLEMA: Tensión de salida baja o nula

Causa	Solución
Mal contacto con los terminales de batería o inversor.	Limpie a fondo los terminales. Vuelva a instalarlos y ajústelos.

PROBLEMA: El inversor se apaga automáticamente

Causa	Solución
La unidad puede ser defectuosa.	Consulte la garantía y llame a atención al cliente.

PROBLEMA: Sonido de timbre continuo

Causa	Solución
Tensión de entrada inferior a 10.5 voltios.	Mantenga la tensión de entrada por encima de 10.5 voltios.
Mal estado de batería o batería baja.	Recargue o sustituya la batería.
Conexión de cable pobre o suelta.	Inspeccione los terminales y apriete todas las conexiones.
Alimentación inadecuada entregada al inversor o caída excesiva de tensión.	Use un cable CC de medida más densa. Mantenga la longitud del cable lo más corta posible.

ELIMINACIÓN/RECICLAJE DEL INVERSOR


Los productos electrónicos contienen materiales tóxicos si se desechan inadecuadamente. Contacte con las autoridades locales para obtener información sobre eliminación y reciclaje.

ESPECIFICACIONES

Todas las especificaciones son habituales en línea nominal, media carga y 25°C salvo indicación contraria. Las especificaciones están sujetas a cambios sin previo aviso.

Nombre	Descripción
Entrada	11-15V entrada de CC
Salida	115V CA
Frecuencia de salida	60 Hz
Forma de onda de salida	Forma de onda sinusoidal modificada
TrueRated™ Power (24 horas continuo)	1,250 vatios
Alimentación de subida	2,600 vatios
Eficiencia	Máximo 90%
Corriente sin carga	< 0.5 amperios
Alarma de batería baja	10.5V ± 0.5V CC
Apagado por batería baja	9.5V ± 0.5V CC
Alarma y apagado térmico	55°C ± 5°

Inversor de Energía Slimline Plus™ 1250 de Wagan Tech®

Nombre	Descripción
Enchufes CA 	3 NEMA 5-15 EE. UU.
Conexiones USB	2.0A
Dimensiones (L x P x A) cm	30.5 x 17.8 x 7.4
Peso neto	2.72 kg
Longitud del cable del control remoto	8 m

MEDIDAS DE CABLE SEGÚN LONGITUDES DE RECORRIDO DE CABLE

1,250W										
Entrada	Longitud total de cable (metros)	6	8	10	12	14	16	18	20	Fuse* (Amps)
12V	Calibre (AWG)	2	0	0	00	00	000	0000	0000	200

* Fusible de protección de batería no incluida.



Garantía Limitada de la Corporación Wagan

La garantía de WAGAN Corporation se limita exclusivamente a los productos vendidos en Estados Unidos.

Duración de la garantía:

Se extiende la garantía del producto para el comprador original por el periodo de dos (2) años a partir de la fecha de compra original, que declara que está libre de defectos de materiales y mano de obra. WAGAN Corporation no asume ninguna responsabilidad por daños consecuentes. Bajo ninguna circunstancia WAGAN Corporation asumirá responsabilidad por daños que excedan el importe pagado por el producto en una tienda minorista.

Cumplimiento de la garantía:

Durante el periodo de la garantía, un producto defectuoso será reemplazado por un modelo equivalente cuando el producto sea devuelto a WAGAN Corporation con un recibo original de la tienda. WAGAN Corporation, a su criterio, reemplazará, reemplazará o reparará la parte defectuosa. El producto de reemplazo quedará cubierto por el resto del periodo de la garantía original. Esta garantía no se extiende a las unidades cuyo uso haya violado las instrucciones suministradas por escrito.

Exclusiones de la garantía:

Esta garantía reemplaza toda otra garantía expresa o implícita y ningún representante o persona están autorizados a asumir responsabilidad alguna en relación con la venta de nuestros productos. No se aceptarán reclamos por defectos o falla de funcionamiento o falla del producto bajo ninguna interpretación del derecho de responsabilidad civil, contractual o comercial, sin limitarse a negligencia, negligencia grave, responsabilidad objetiva, violación de garantía y violación de contrato.

Devoluciones:

WAGAN Corporation no se responsabiliza por cualquier elemento(s) devuelto(s) sin un número de Autorización de devolución (#AD). Por favor póngase en contacto con nuestro equipo de servicio al cliente por teléfono o correo electrónico para obtener un #AD. También puede visitar nuestro sitio web y hablar con nuestro equipo en nuestro horario normal de trabajo. Para más detalles e instrucciones sobre cómo procesar un reclamo de garantía, por favor lea la sección "Devoluciones" de la página de "Contacto" en nuestro sitio web. WAGAN Corporation no se responsabiliza por cualquier cargo por envío que resulte de la devolución de el/los elemento(s) a la compañía para reparaciones o reemplazo.

Registre su producto en línea en <http://tinyurl.com/wagan-registration> para ser agregado a nuestra lista de correo electrónico. Recibirá reseñas sobre nuestros próximos productos, promociones y eventos.



31088 San Clemente Street
Hayward, CA 94544, U.S.A.

Tel: +1.510.471.9221
U.S. & Canada Toll Free: +1.800.231.5806
customerservice@wagan.com
www.wagan.com

©2022 Wagan Corporation. All Rights Reserved
Wagan Tech and wagan.com are trademarks of Wagan Corporation

© Corporación Wagan 2022. Todos los derechos reservados
Wagan Tech y wagan.com son marcas registradas de la Corporación Wagan

REV20220308-ES