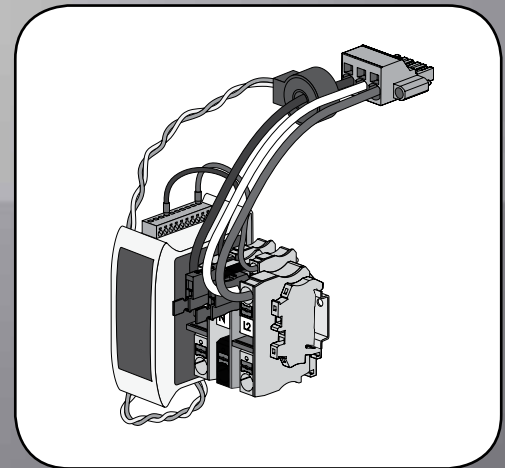


SMA REVENUE GRADE METER KIT

RGM05KIT-US-10



Accurate and versatile

- ANSI C12.20 revenue grade energy production monitoring provides a high level of accuracy
- Measures active, reactive and apparent power as well as grid voltage and frequency

Perfect alignment

- Designed for integration with Power+ Solution
- Ultra-compact DIN rail mounted meter kit mounts inside the Sunny Boy inverter

Plug-and-play

- Prewired and preassembled kit reduces installation time
- Quick and easy setup



SMA REVENUE GRADE METER KIT

Simple integration with extreme accuracy

SMA Revenue Grade Meter Kit is a revenue-grade energy meter designed for monitoring Sunny Boy inverter production with a 0.5% degree of accuracy. Its compact size and plug-and-play design allow it to be easily and quickly installed inside the Sunny Boy inverter. It collects a wide array of energy data which is either stored locally in the inverter or uploaded to the Sunny Portal allowing both system installers and owners to efficiently manage solar assets. It is designed to operate in unison with either the SMA Cellular LTE Modem Kit or the SMA RS485 Module.

