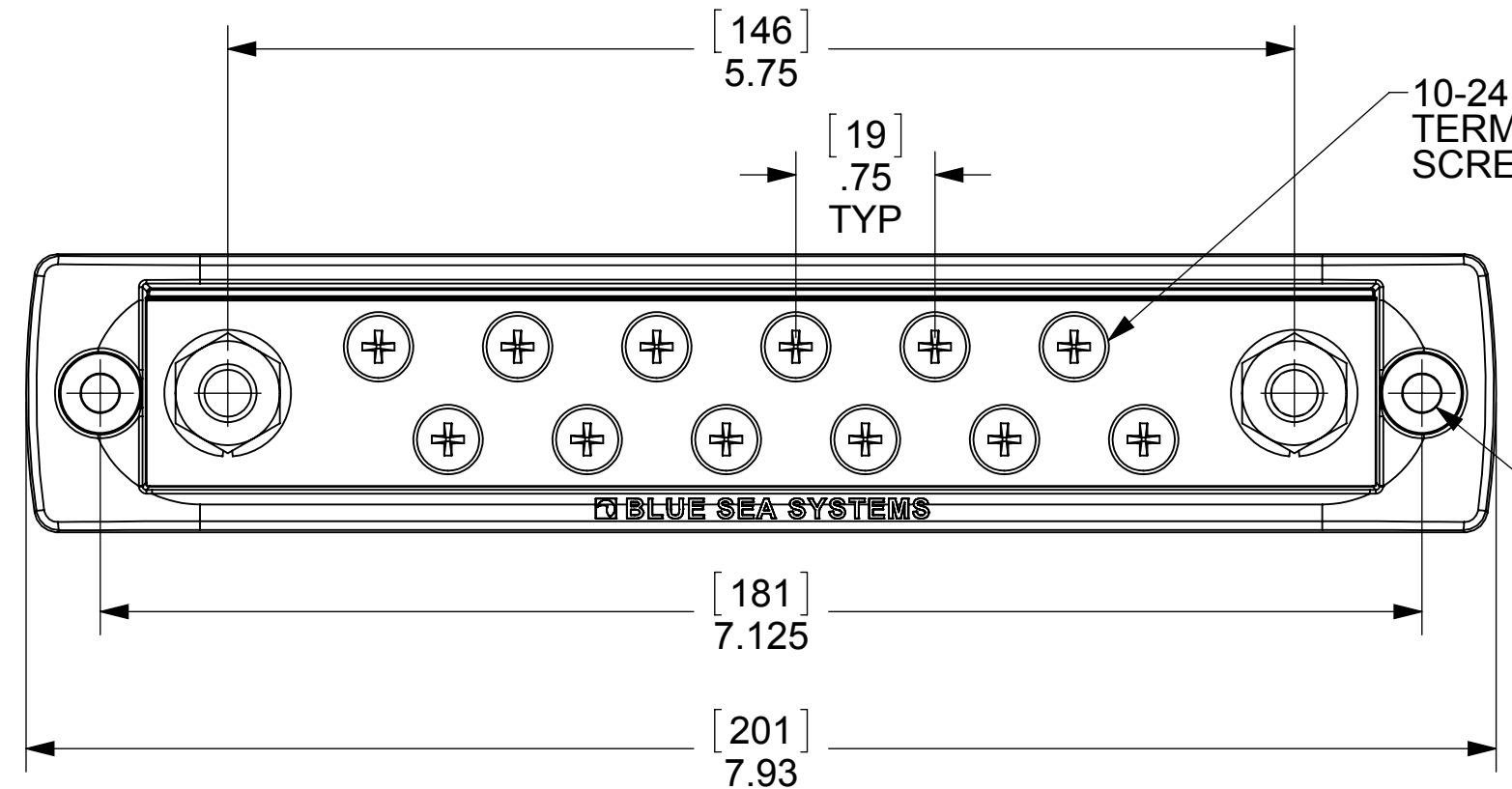


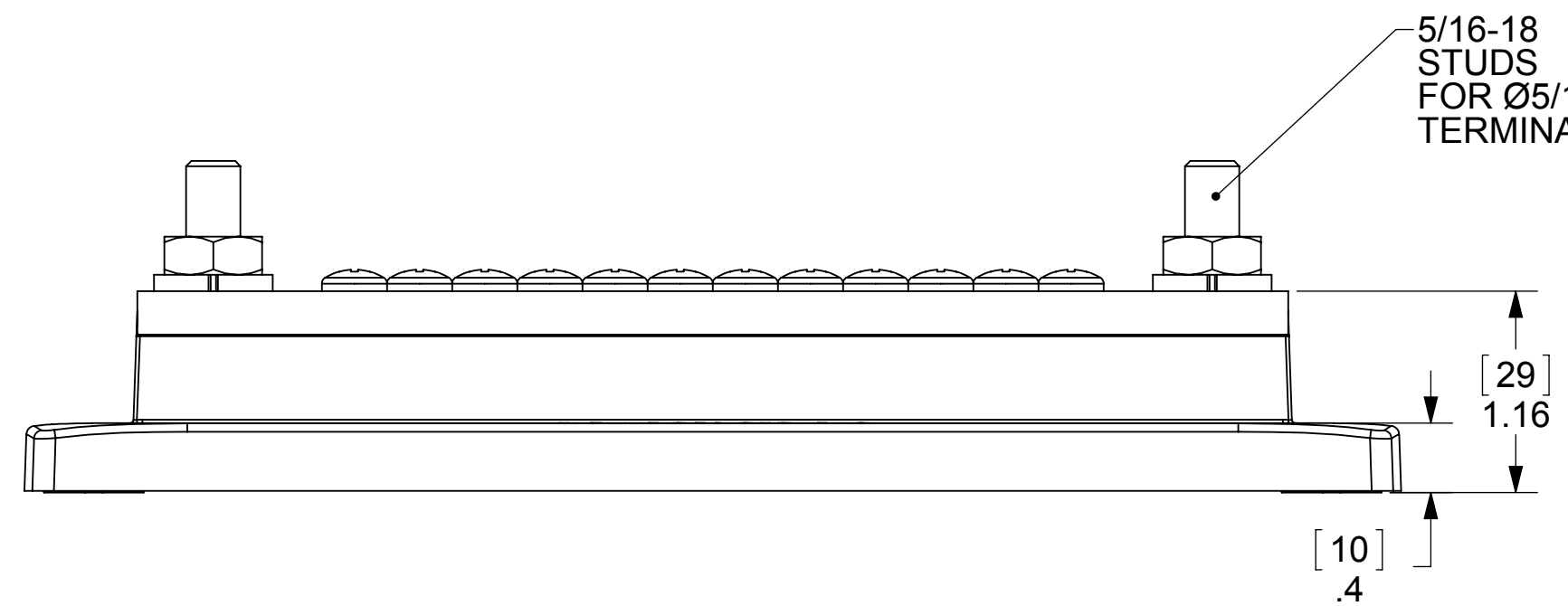
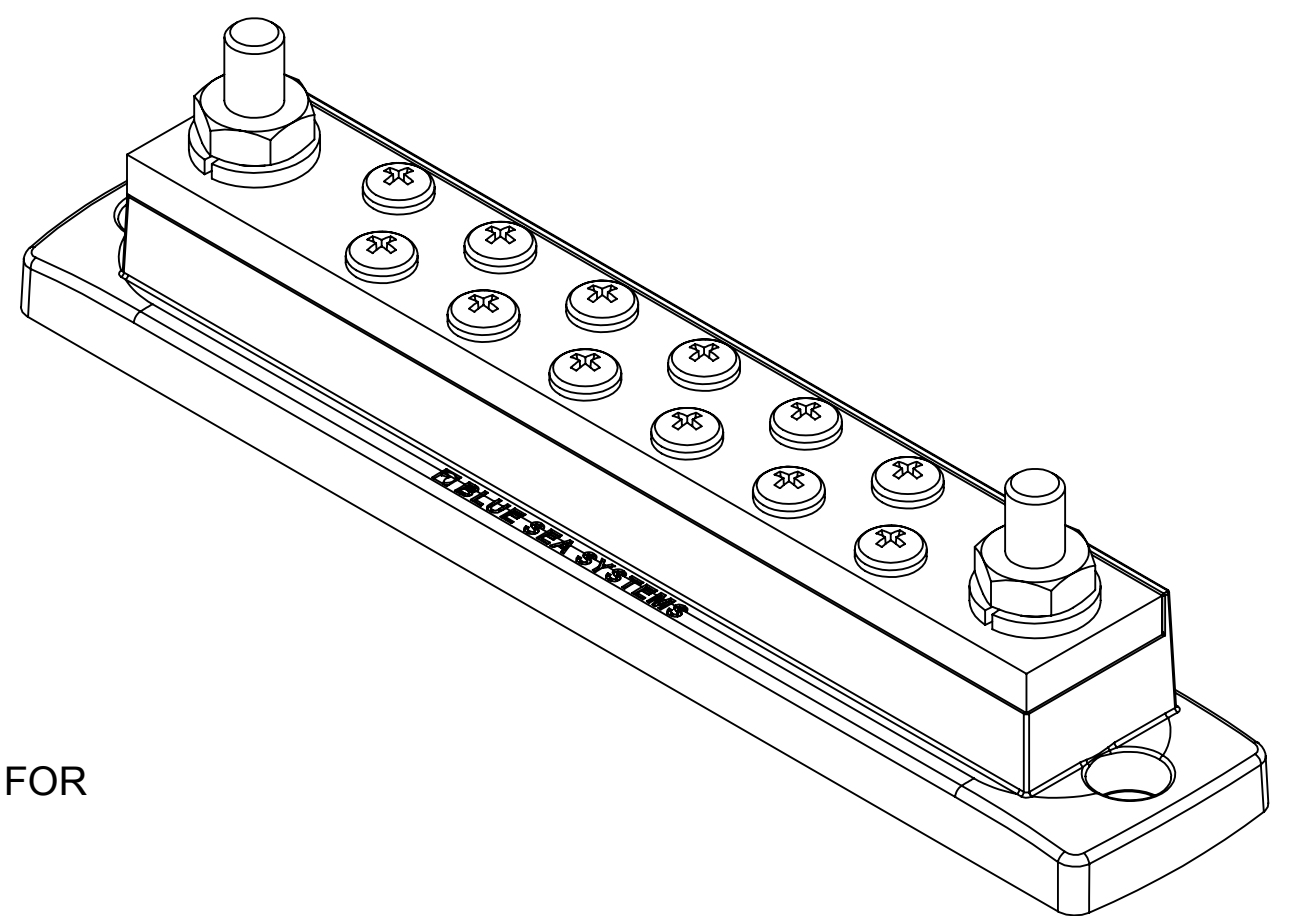
THIS DRAWING AND THE INFORMATION CONTAINED WITHIN IT ARE CONFIDENTIAL AND MAY NOT BE COPIED OR DISCLOSED WITHOUT THE WRITTEN PERMISSION OF BLUE SEA SYSTEMS.

REVISIONS				
ZONE	REV.	DESCRIPTION	DATE	APPROVED
	1	PRODUCTION RELEASE	2012.3.27	S. SCHANKEN

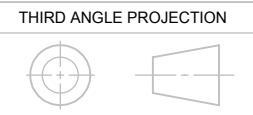
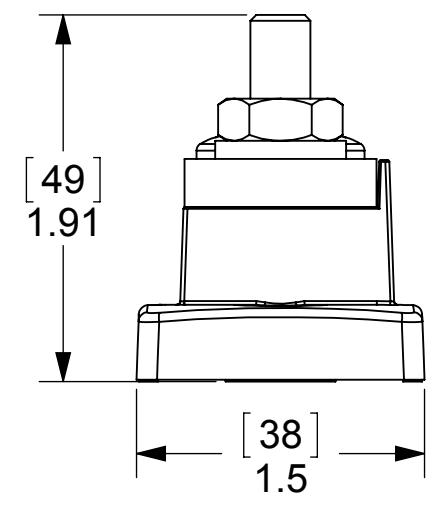


10-24
TERMINAL
SCREWS

CLEARANCE FOR
#10 OR M5
MOUNTING
HARDWARE



5/16-18
STUDS
FOR Ø5/16 OR M8
TERMINALS



DIMENSIONS ARE SHOWN IN INCHES AND [MILLIMETERS]. UNSPECIFIED TOLERANCES ARE:			NAME	DATE
ANGLES	INCH	MM	T.DYKAS	2011.05.28
±0°30'	.000±.002	.000±.051	CHECKED	-
	.000±.005	.00±.127		-
	.00±.010	0±.254		-
MATERIAL	-		COMMENTS:	-
FINISH	-			-
DO NOT SCALE DRAWING				-



MaxiBus 12 x 10-24 Common Bus

Part Number 2105

SIZE	DWG. NO.	REV.
C	2105 MaxiBus 12 x 10-24 Common Bus	1
SCALE 1:1		WEIGHT: NOT SPECIFIED
		SHEET 1 OF 1