

4

3

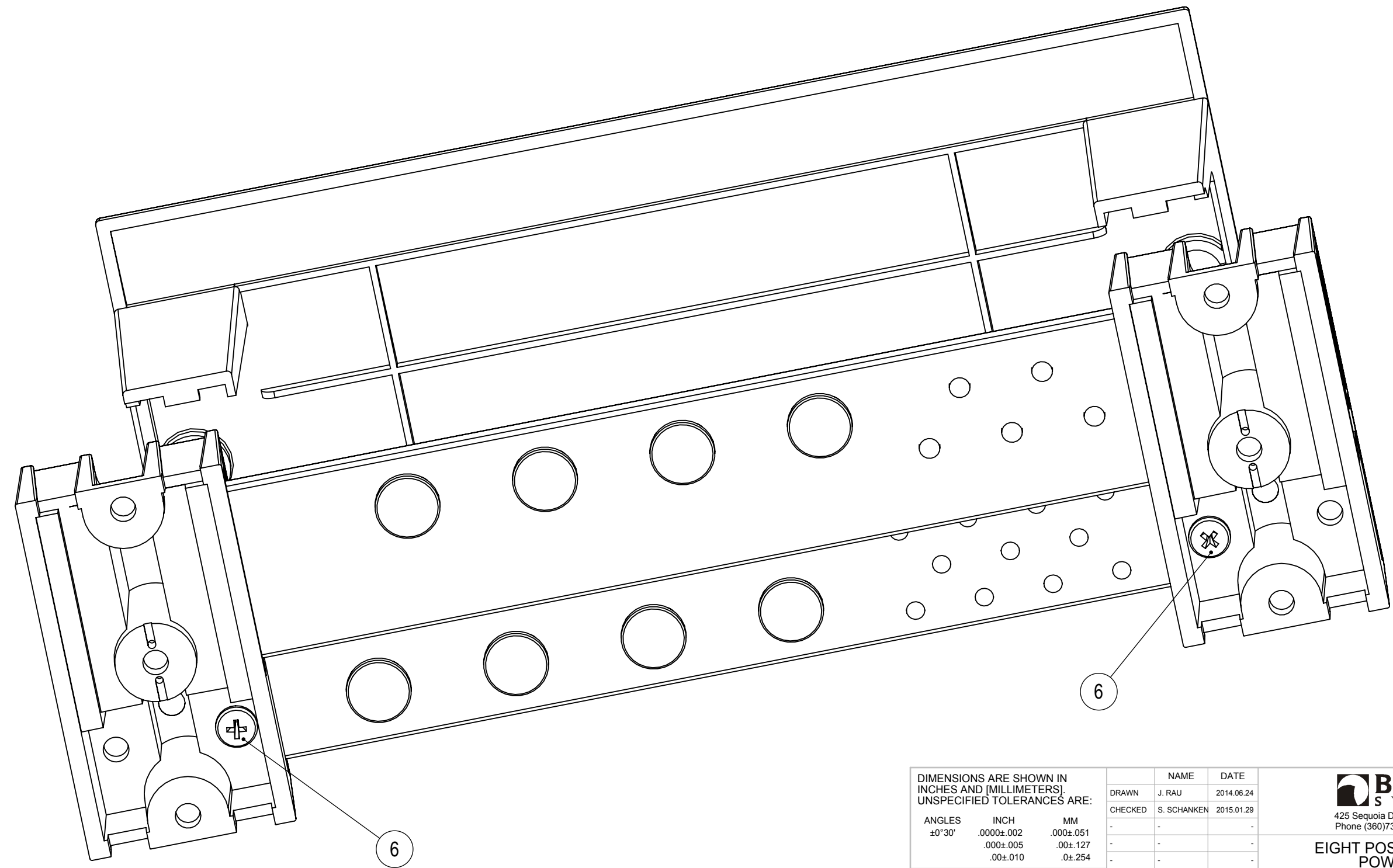
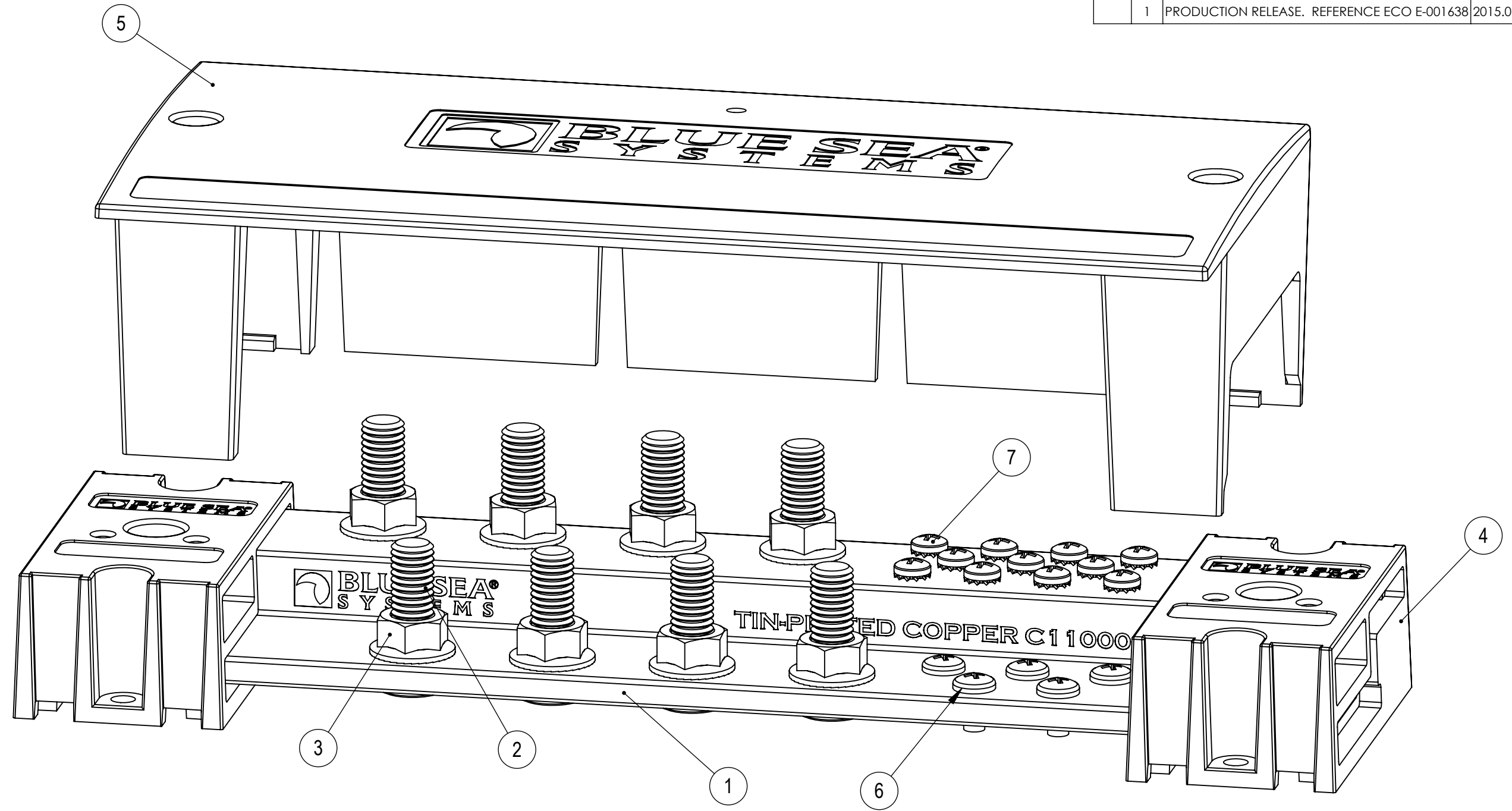
2

1

THIS DRAWING AND THE INFORMATION CONTAINED WITHIN IT ARE CONFIDENTIAL AND MAY NOT BE COPIED OR DISCLOSED WITHOUT THE WRITTEN PERMISSION OF BLUE SEA SYSTEMS.

REVISIONS				
ZONE	REV.	DESCRIPTION	DATE	APPROVED
	0	PART NUMBER AND DRAWING CREATION	2014.06.24	J. RAU
	1	PRODUCTION RELEASE. REFERENCE ECO E-001638	2015.01.28	J. RAU

ITEM NO.	PART NUMBER	DESCRIPTION	QTY.
1	980017950	8 Position 3/8" PowerBar 1000 Busbar	1
2	6735	3/8"-16 x 1.25" Self-Clinching SS Stud	8
3	980015170	3/8" Serrated Flanged Nut	8
4	980017870	PowerBar 1000 Support	2
5	980017840	8 Position PowerBar 1000 Cover	1
6	9325	10-24 x 3/8 Screw	7
7	9950	8-32 x 5/16 Screw ETLW	11



DIMENSIONS ARE SHOWN IN INCHES AND (MILLIMETERS). UNSPECIFIED TOLERANCES ARE:		
ANGLES	INCH	MM
±0°30'	.000±.002	.000±.051
	.000±.005	.00±.127
	.00±.010	0±.254

MATERIAL		ASSEMBLY	
FINISH	N/A	COMMENTS:	
DO NOT SCALE DRAWING			

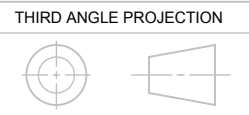
NAME	DATE
DRAWN J. RAU	2014.06.24
CHECKED S. SCHANKEN	2015.01.29

BLUE SEA SYSTEMS
 425 Sequoia Drive Bellingham, WA 98226
 Phone (360)738-6230 Fax (360)734-4195

EIGHT POSITION 3/8-16 STUD POWERBAR 1000
 Part Number 1990

SIZE	DWG. NO.	REV.
C	1990-1	1

SCALE 1:2 SHEET 1 OF 3



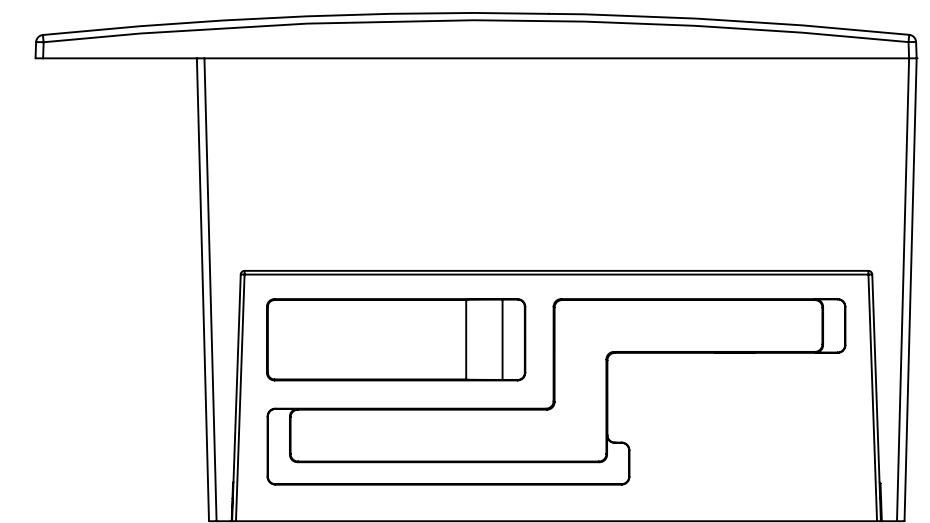
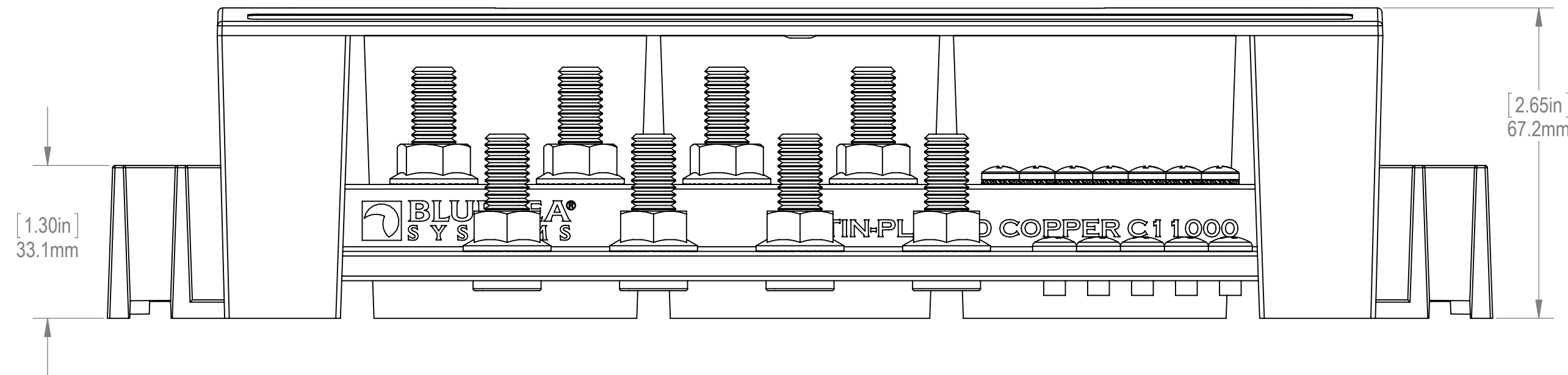
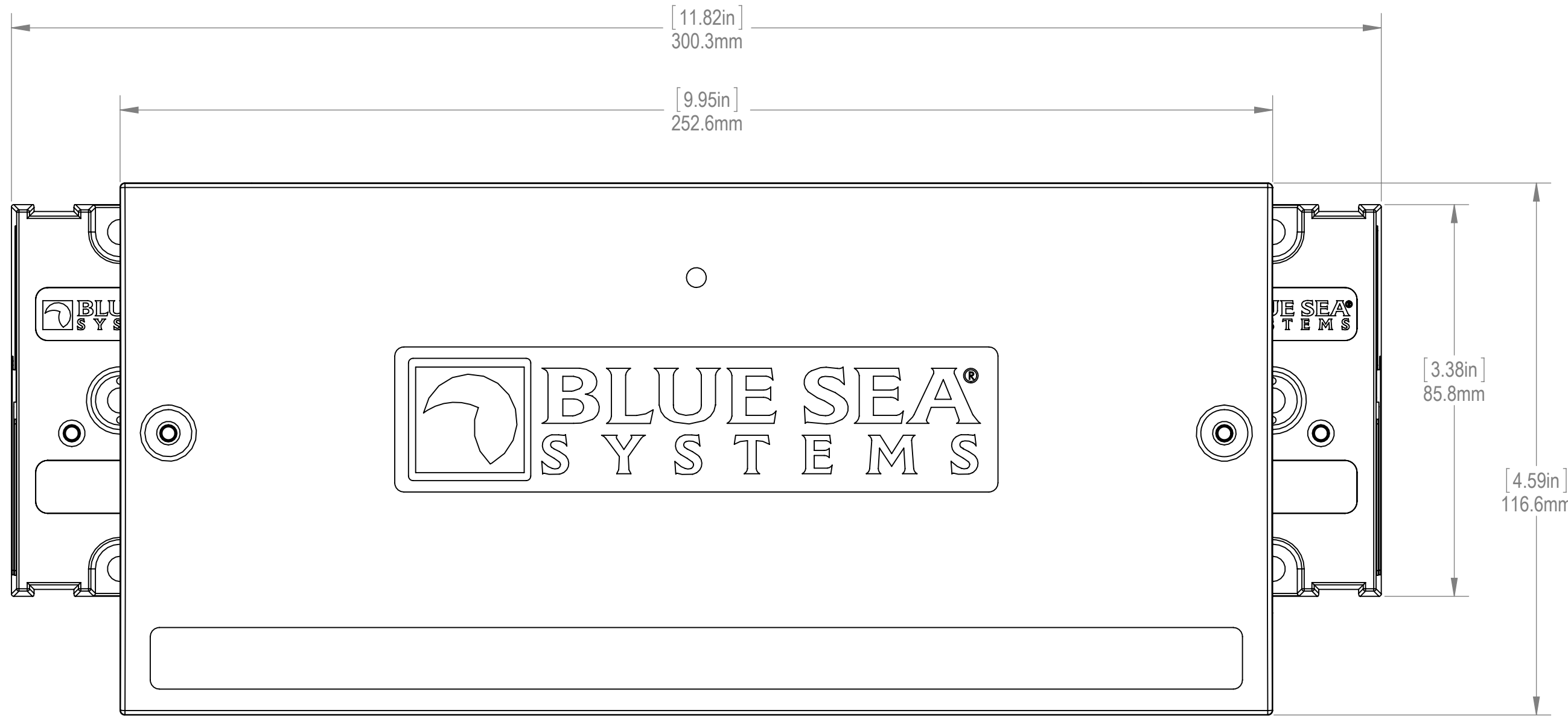
4

3

2

1

THIS DRAWING AND THE INFORMATION CONTAINED WITHIN IT ARE CONFIDENTIAL AND MAY NOT BE COPIED OR DISCLOSED WITHOUT THE WRITTEN PERMISSION OF BLUE SEA SYSTEMS.



THIRD ANGLE PROJECTION



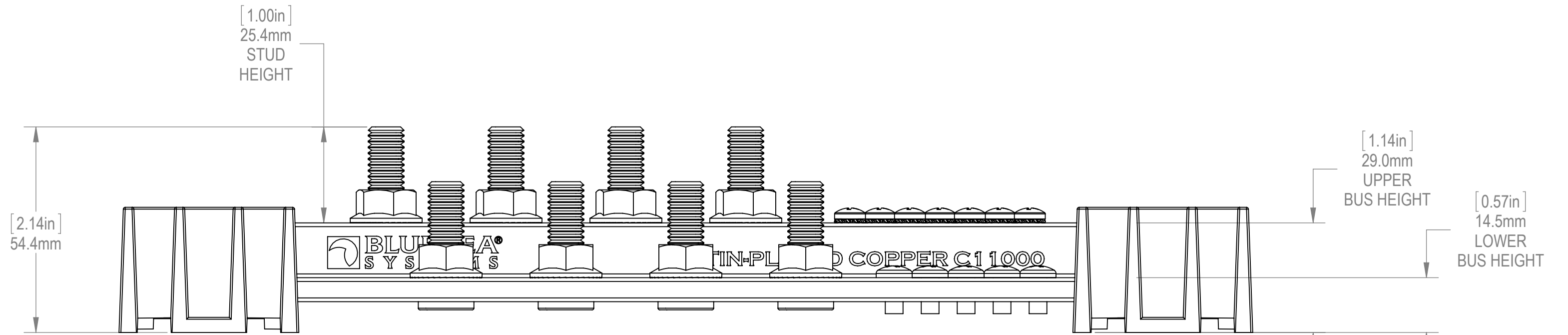
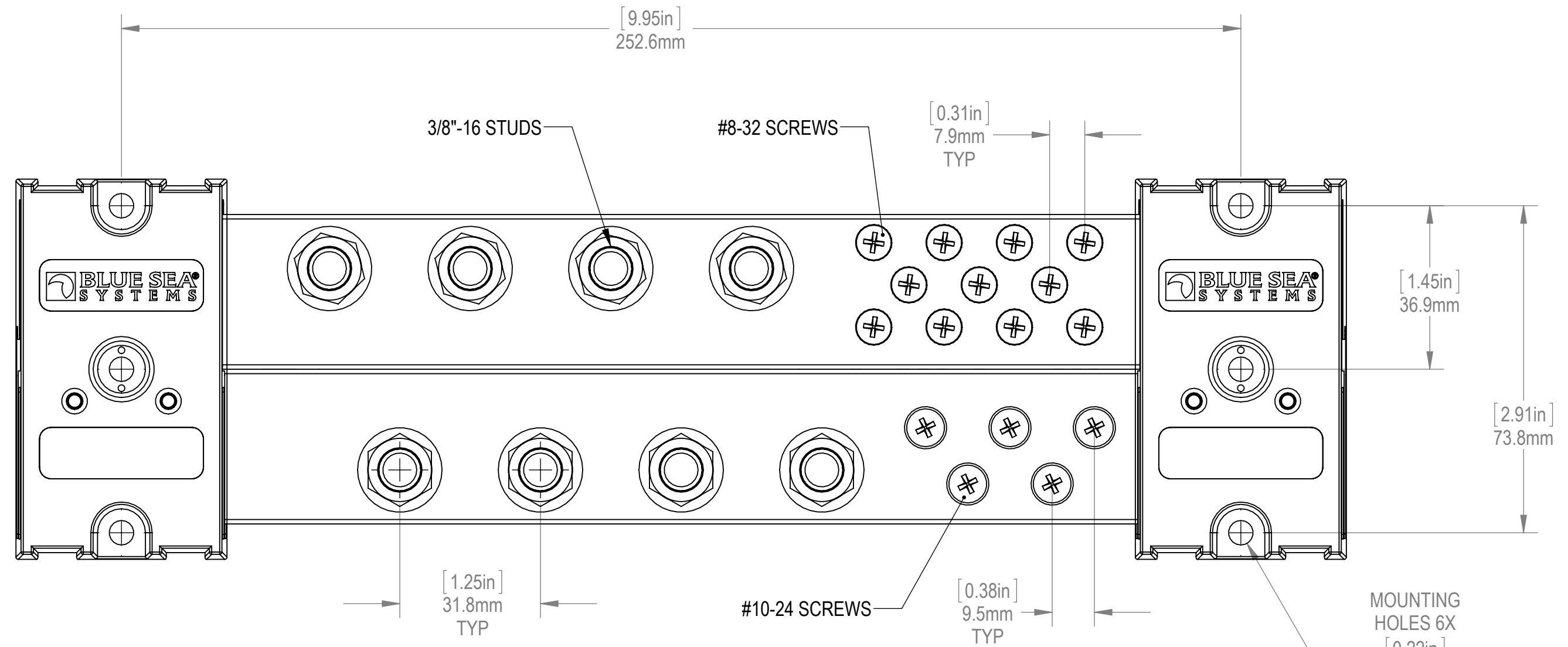
BLUE SEA SYSTEMS

425 Sequoia Drive Bellingham, WA 98226
Phone (360)738-8230 Fax (360)734-4195

**EIGHT POSITION 3/8-16 STUD
POWERBAR 1000**
Part Number 1990-1

SIZE C	DWG. NO. 1990-1	REV. 1
SCALE 1:1		SHEET 2 OF 3

THIS DRAWING AND THE INFORMATION CONTAINED WITHIN IT ARE CONFIDENTIAL AND MAY NOT BE COPIED OR DISCLOSED WITHOUT THE WRITTEN PERMISSION OF BLUE SEA SYSTEMS.



THIRD ANGLE PROJECTION



BLUE SEA SYSTEMS

425 Sequoia Drive Bellingham, WA 98226
Phone (360)738-8230 Fax (360)734-4195

**EIGHT POSITION 3/8-16 STUD
POWERBAR 1000**
Part Number 1990

SIZE	DWG. NO.	REV.
C	1990-1	1

SHEET 3 OF 3