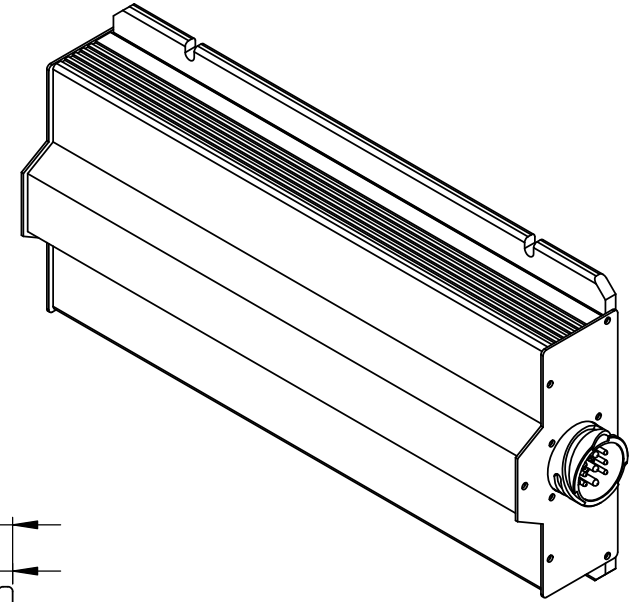
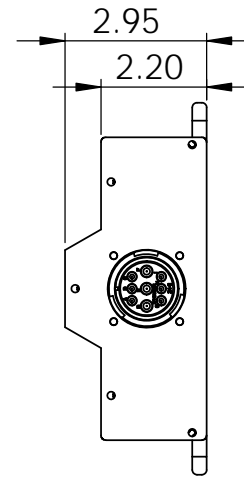
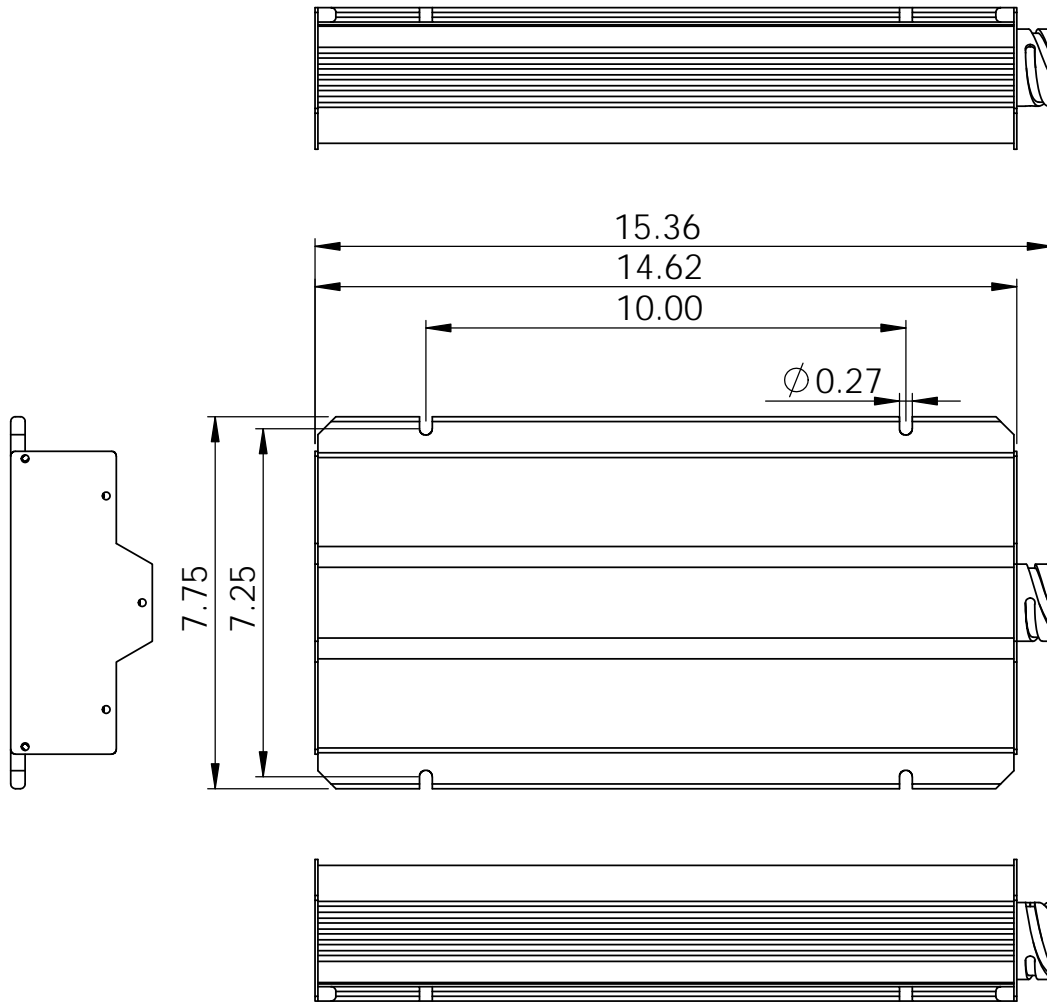


REVISIONS				
ZONE	REV.	DESCRIPTION	DATE	APPROVED
-	-	Initial Drawing Release	8/7/2019	BTG

**PROPRIETARY AND CONFIDENTIAL**  
 THE INFORMATION CONTAINED IN THIS DRAWING IS THE SOLE PROPERTY OF SEC AMERICA CORP. ANY REPRODUCTION IN PART OR AS A WHOLE WITHOUT THE WRITTEN PERMISSION OF SEC AMERICA CORP IS PROHIBITED.

		UNLESS OTHERWISE SPECIFIED:		NAME	DATE	<b>SEC AMERICA CORP</b> 05407
		DIMENSIONS ARE IN INCHES TOLERANCES: FRACTIONAL ± ANGULAR: MACH ± BEND ± TWO PLACE DECIMAL ± THREE PLACE DECIMAL ±	DRAWN	BTG	8/7/19	
		INTERPRET GEOMETRIC TOLERANCING PER:	CHECKED			TITLE: 718HS, 728HS 738HS, 752HS, 884HS Converters
		MATERIAL	ENG APPR.			
		FINISH	MFG APPR.			SIZE DWG. NO. REV <b>A</b> 17-0728HS 1
NEXT ASSY	USED ON		Q.A.			
APPLICATION		DO NOT SCALE DRAWING	COMMENTS:			SCALE: 1:4 WEIGHT: SHEET 1 OF 2



PROPRIETARY AND CONFIDENTIAL

THE INFORMATION CONTAINED IN THIS DRAWING IS THE SOLE PROPERTY OF SEC AMERICA CORP. ANY REPRODUCTION IN PART OR AS A WHOLE WITHOUT THE WRITTEN PERMISSION OF SEC AMERICA CORP IS PROHIBITED.

**SEC AMERICA CORP**  
05407

TITLE: 718HS, 728HS 738HS,  
752HS, 884HS Converters

SIZE <b>A</b>	DWG. NO. 17-0728HS
------------------	-----------------------

REV 1
----------

SCALE: 1:4	WEIGHT:
------------	---------

SHEET 2 OF 2
--------------

5

4

3

2

1