



12LP15 AND 12LPC15 INVERTER AND INVERTER/CHARGER

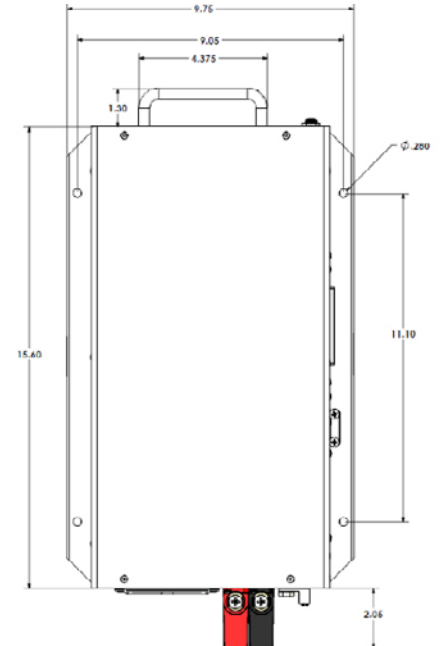
Pure Sine Wave Output

The 12LP15 inverter and 12LPC15 inverter/charger from Dimensions provides pure sine wave power.

The 12LP15/12LPC15 Features:

- The 12LP15 is an inverter only.
- The 12LPC15 is an inverter/charger with a 20A bypass.
- **Remote:** Optional remote on/off switch for inverter control.
- **Cooling:** Thermally controlled cooling fan.
- **Unit Protection:** Provides automatic electronic short circuit/overload protection, automatic over-temperature shutdown, and an AC input and output circuit breaker.
- **Local Status LED:** Provides inverter operation mode and troubleshooting information at a glance.
- **Low Battery Protection:** Automatically shuts down at 10.5 VDC with in-rush delay.
- **Surge:** Surge rating for motor loads.
- GFCI receptacle output and hardwired AC output.
- **"A" option** – AC hardwired output protected by GFCI.
- **"H" option** – AC hardwired output only, no GFCI.
- **"R" option** – Remote only, local switch inactive.
- Other model configurations available. Contact factory.
- UL Listing to UL 458 6th Edition

	12LP15	12LPC15
INVERTER SPECIFICATIONS		
Input Voltage (Vdc)	10.5-15.0	10.5-15.0
DC Surge Voltage (Vdc)	Up to 24Vdc	Up to 24Vdc
Output Voltage (Vac)	120 +/- 5%	120 +/- 5%
Output Frequency (Hz)	60 +/- .05%	60 +/- .05%
THD	< 5% at 12.6Vdc and 1500W	< 5% at 12.6Vdc and 1500W
Output Waveform	Pure Sine < 5% THD	Pure Sine < 5% THD
Output Power (Watts Cont.)	1500	1500
Output Current (Aac Cont.)	12.5	12.5
Input Current (Adc Cont.)	Up to 167 at 12.6Vdc	Up to 167 at 12.6Vdc
Input Current (Adc Cont.)	Up to 190 at 10.5Vdc	Up to 190 at 10.5Vdc
Peak Power (Watts)	3000	3000
Peak Output (Aac)	25.0	25.0
Motor Starting Rating (h.p.)	1/2	1/2
Inverter Efficiency	Up to 80%	Up to 80%
Charger Input Voltage (Vrms)		100 – 130
Charger Output Current (Adc)		65
Input Current Bypass (Arms)		20
Weight (lbs.)	20	20
Dimensions in. (L x W x H)	19.0" x 9.75" x 4.8" *	19.0" x 9.75" x 4.8" *
Operating Temperature	-40C to 65C (0F to 149F) **	-40C to 65C (0F to 149F) **
Agency Listings	UL458, E100666	UL458, E100666



* Length includes DC terminals and handle.

** The operating temp range for a GFCI is -20°C to 65°C.

Testing for specifications at 25°C and 12.6Vdc, measured at the inverter input terminals. Specifications subject to change without notice.