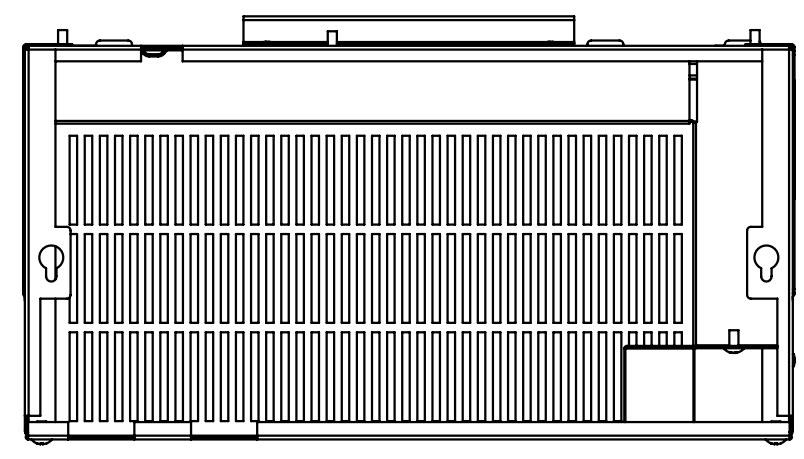


3RD ANGLE PROJECTION

REVISIONS								
CC	REV	DESCRIPTION	AUT	DATE	CHK'D	TC	BC	N/A
01	A	INITIAL RELEASE	Wieslaw Grudzinski	2007-10-18	C. KNOWLES	E. SERBAN	J. EVERETT	



DUAL EKO
 $\phi 2.96 / \phi 2.46$
 $[\phi 75.4 / \phi 62.7]$

DUAL KNOCKOUT
 $\phi 1.11 / \phi 0.87$
 $[\phi 28.2 / \phi 22.2]$

DUAL KNOCKOUT
 $\phi 1.37 / \phi 1.11$ 3PL
 $[\phi 35.0 / \phi 28.2$ 3PL]

DUAL KNOCKOUT
 $\phi 1.37 / \phi 1.11$ 3PL
 $[\phi 35.0 / \phi 28.2$ 3PL]

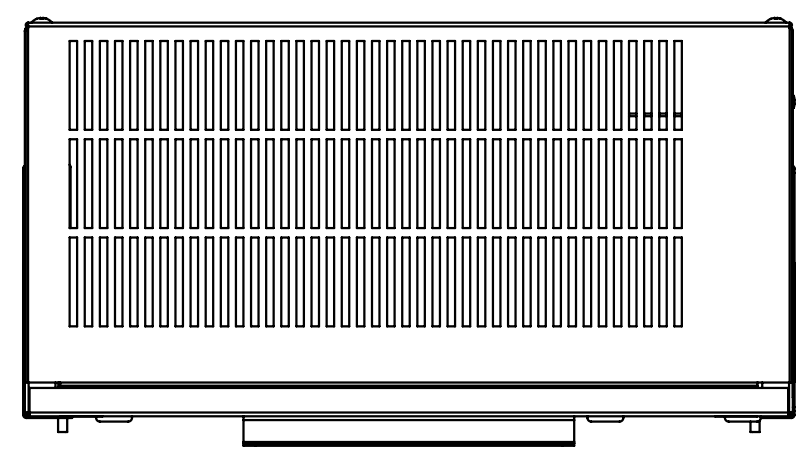
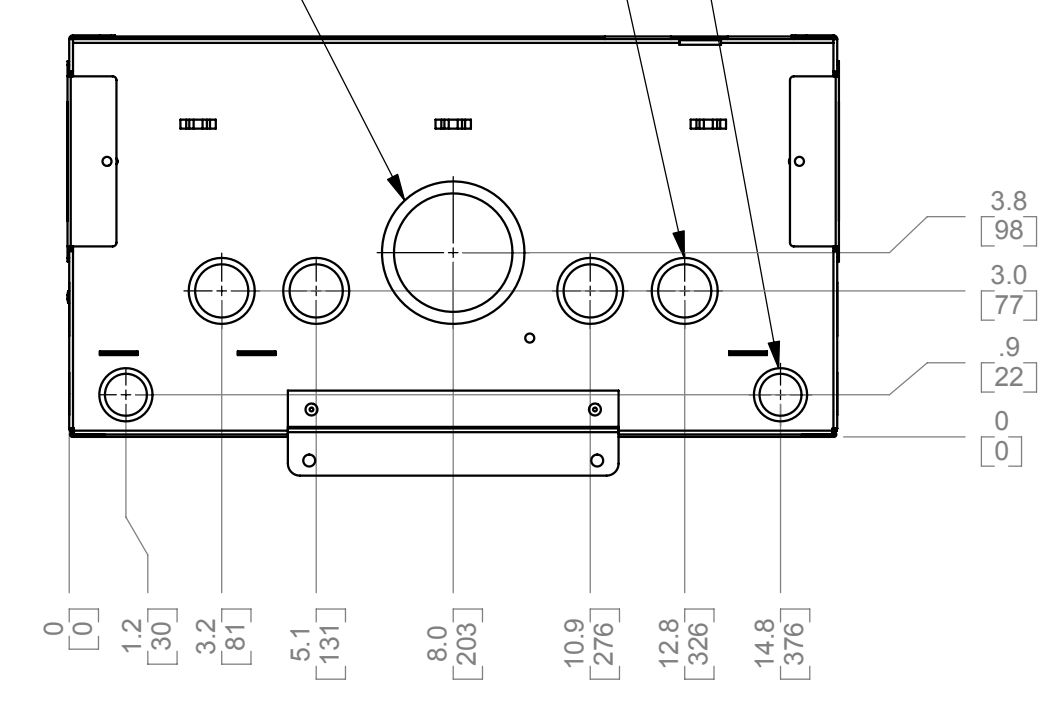
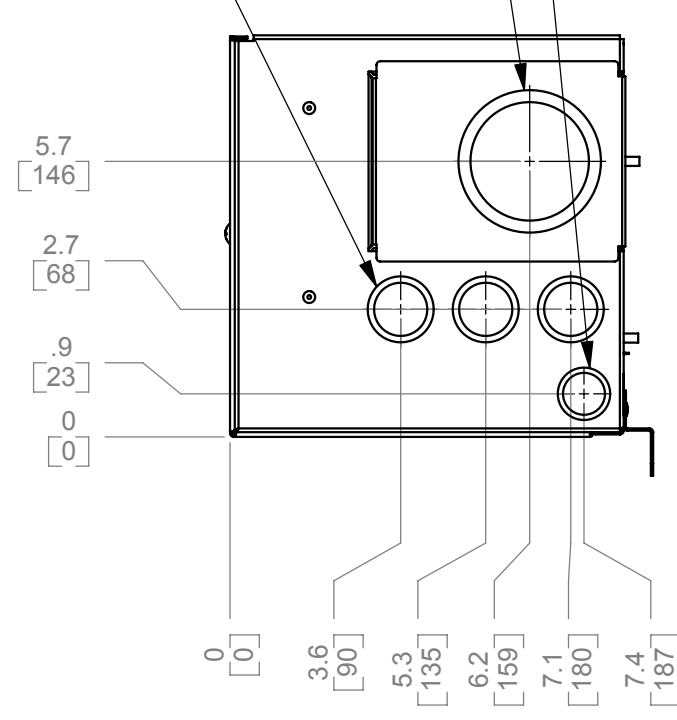
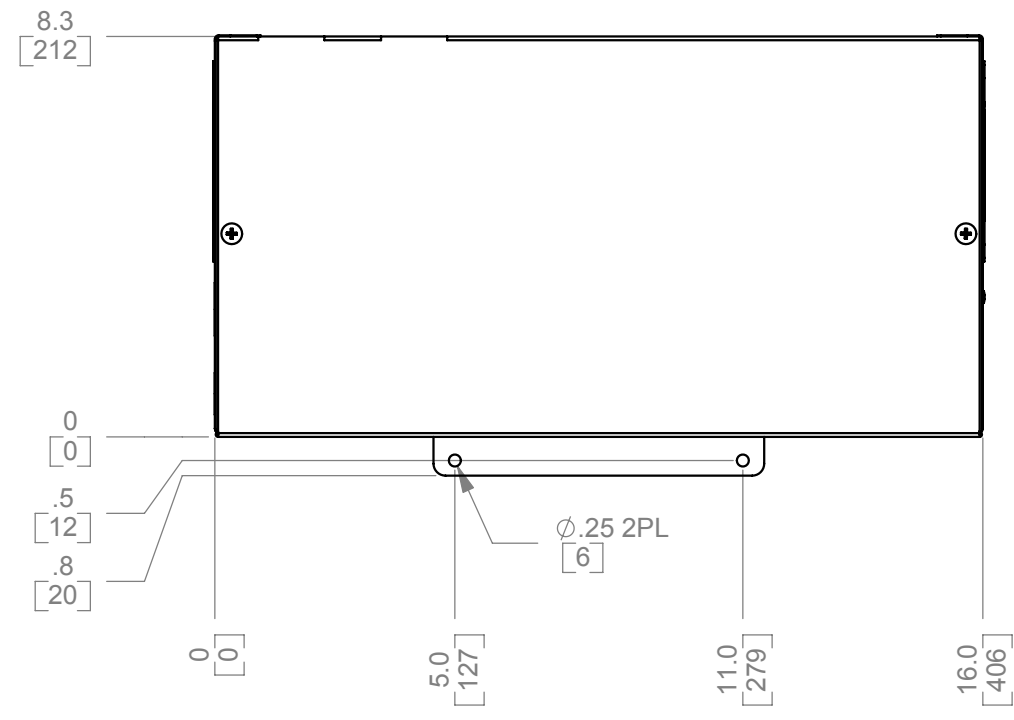
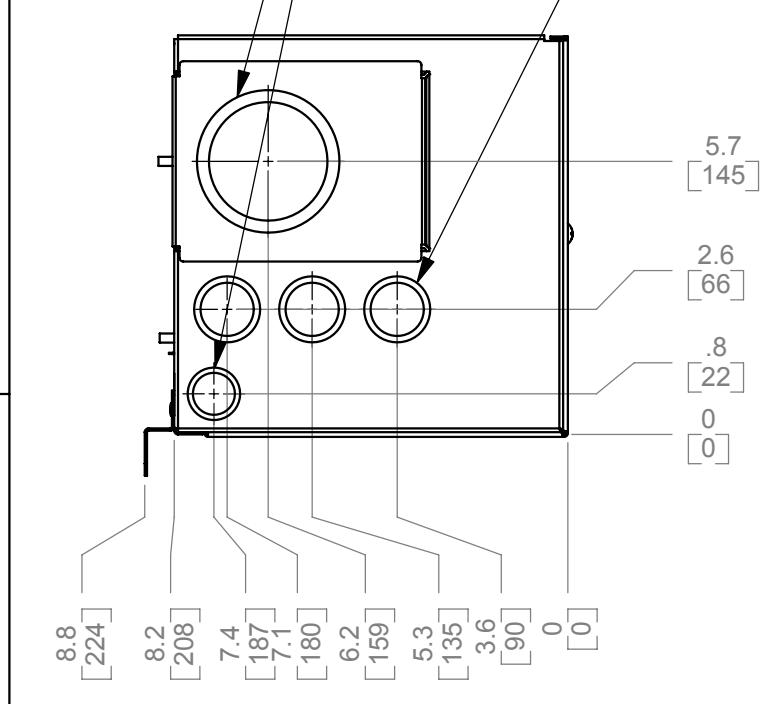
DUAL EKO
 $\phi 2.96 / \phi 2.46$
 $[\phi 75.4 / \phi 62.7]$

DUAL KNOCKOUT
 $\phi 1.11 / \phi 0.87$
 $[\phi 28.2 / \phi 22.2]$

DUAL EKO
 $\phi 2.96 / \phi 2.46$
 $[\phi 75.4 / \phi 62.7]$

DUAL KNOCKOUT
 $\phi 1.37 / \phi 1.11$ 4PL
 $[\phi 35.0 / \phi 28.2$ 4PL]

DUAL KNOCKOUT
 $\phi 1.11 / \phi 0.87$ 2PL
 $[\phi 28.2 / \phi 22.2$ 2PL]



CONFIDENTIAL INFORMATION OF XANTREX INTERNATIONAL.
 © COPYRIGHT 2007 XANTREX INTERNATIONAL. ALL RIGHTS RESERVED.
 THIS DOCUMENT IS THE PROPERTY OF XANTREX INTERNATIONAL, AND SHALL NOT BE USED OR REPRODUCED IN ANY FORM OR FOR ANY PURPOSE WHATSOEVER, WITHOUT THE EXPRESS WRITTEN PERMISSION OF XANTREX INTERNATIONAL.

TOLERANCES:
 (UNLESS OTHERWISE SHOWN)

X.X	X.XX	ANGLES
± 0.3	± 0.13	$\pm 0.5^\circ$

TITLE: **XW CONDUIT BOX**

DIMENSIONS ARE IN MILLIMETERS UNLESS OTHERWISE SHOWN

REV: WIESLAW GRUDZINSKI	DATE: 2007-10-18	SIZE: C	DWG No: 975-0380-01-01	REV: A
REV: WIESLAW GRUDZINSKI	DATE: 2007-10-18	SCALE: 1:4		1 OF 1

xantrex™