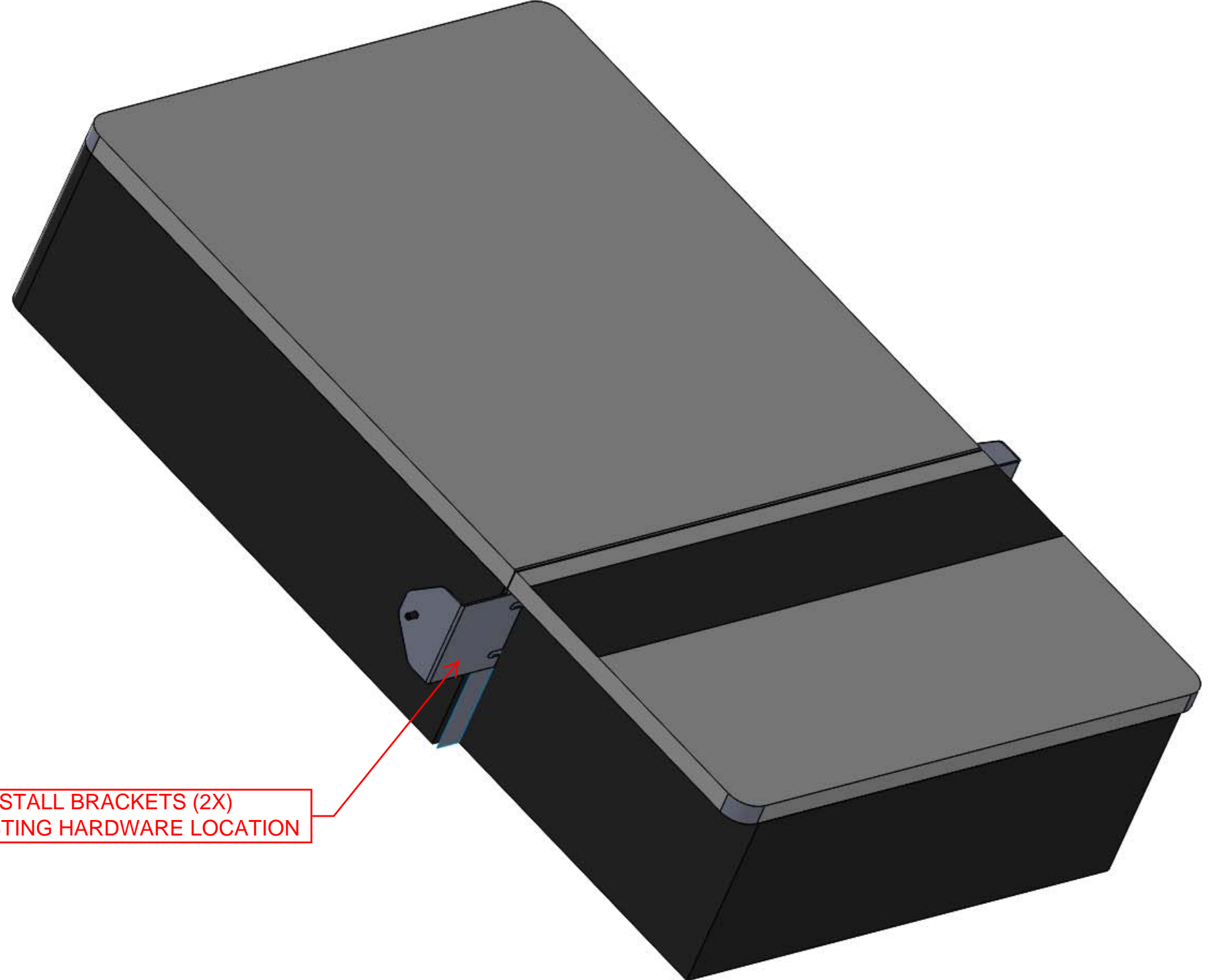


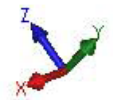
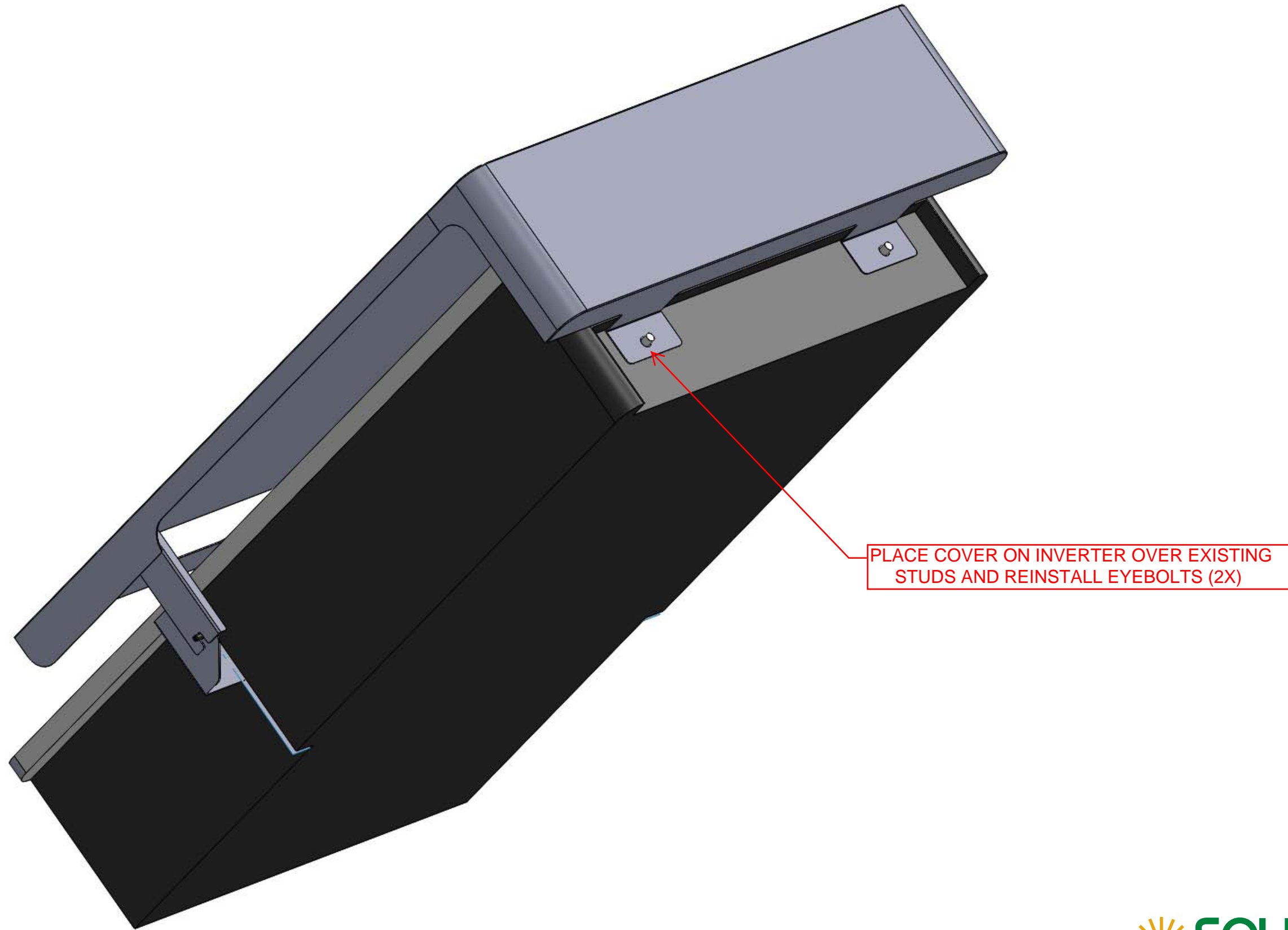
STEP 1



INSTALL BRACKETS (2X)
USES EXISTING HARDWARE LOCATION



STEP 2



STEP 3

