



COMMERCIAL RAPID SHUTDOWN COMBINER

FEATURES

- Meets NEC array level rapid shutdown requirements
- Designed for use with Yaskawa - Solectria Solar's PVI 14/20/23/28/36/50/60TL Inverters (three-phase, transformerless inverters)
- Supports 1 or 2 MPPT zones
- One box installation
- Power output conductors and control can be separate or in same conduit

OPTIONS

- MC4 pre-wired string inputs
- Surge arrestor (600 or 1000V)
- PV fuses

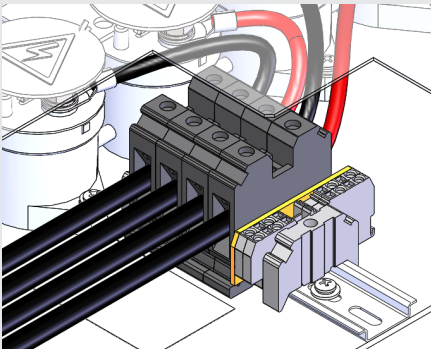
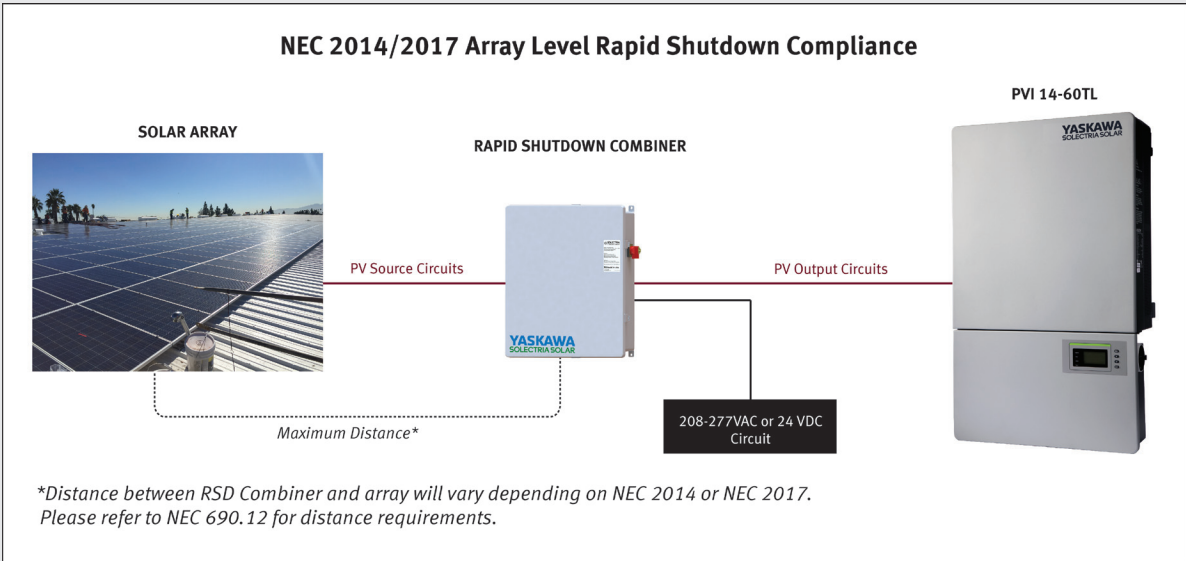
COMMERCIAL RAPID SHUTDOWN COMBINER

Yaskawa - Solectria Solar's Rapid Shutdown Combiner offer customers a solution to NEC 2014 and NEC 2017 Article 690.12 requirements for PV array level rapid shutdown. This combiner has been designed to seamlessly integrate with Yaskawa - Solectria Solar's PVI 14/20/23/28/36/50/60TL three-phase transformerless inverters. It allows operation of 1 or 2 MPPT zone configurations with up to 5 strings per MPPT zone. Array disconnect is automatic upon loss of AC power at inverter, per NEC 690.12. Powered by site 208-277 VAC or 24 VDC, installers may also add an additional remote AC disconnect or switch to enable or disable the combiner.

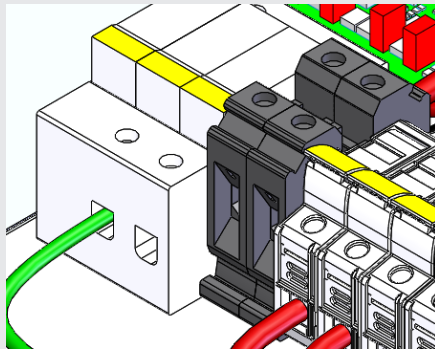


SPECIFICATIONS	COMMERCIAL RAPID SHUTDOWN COMBINER FOR PVI 14-60TL INVERTERS	
Commercial Rapid Shutdown Combiner	1 MPPT Zone	2 MPPT Zones
Absolute Maximum Open Circuit Voltage	600 or 1000 VDC	
PV Fuse Size Compatibility	15 A typical (20-30 A available)*	
MPPT Zones	1	2
Positions per MPPT	4 or 5	
Control Power	208-277 VAC / 0.6 A max or 24 VDC	
Ambient Temperature Range	-40°F to +122°F (-40°C to +50°C)	
Mounting Locations	Outdoor, Wall, Array, Rooftop - Vertical or Horizontal	
Warranty	5 years	
Dimensions (H x W x D)	14 in. x 12 in. x 6 in. (356 mm x 309mm x 152 mm)	20 in. x 16 in. x 8 in. (508 mm x 406mm x 203 mm)
Weight	18 lbs (8.2 kg)	29 lbs (13.2 kg)
Enclosure Rating	Type 4X	
Enclosure Finish	Polycarbonate	Fiberglass
Inverter Compatibility	PVI 14/20/23/28/36/50/60TL**	
Compliance	NEC, Article 690.12	
Safety Certification	UL 1741, CSA C22.2#107.1	
Testing Agency	ETL	

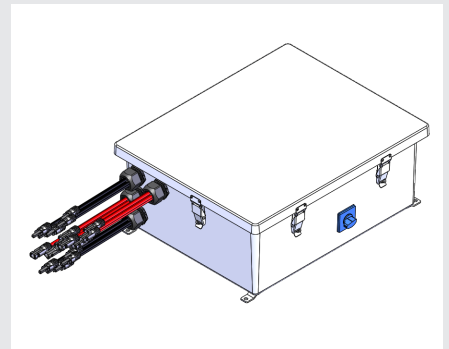
*PV Fuses not included with combiner. Re-use fuses provided with inverters. Fuses also sold separately.
 **Compatible with additional 3-Ph transformerless inverters with MPPT zone input capacitance ≤65µF



Convenient mechanical terminals handle up to 2AWG Al or Cu conductors



Surge option (600 or 1000 VDC)



MC4 / H4 PV connector option