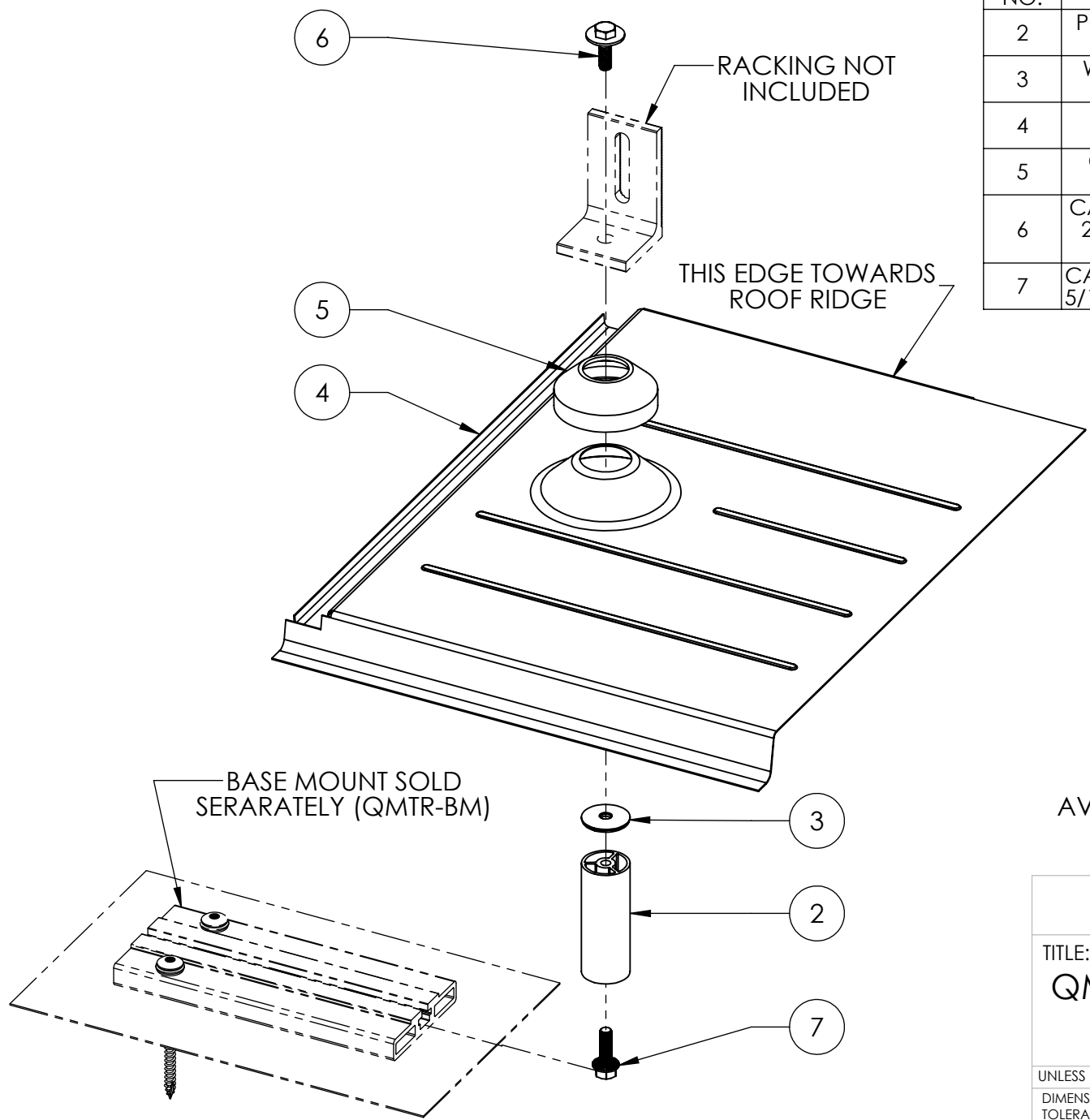


| ITEM NO. | DESCRIPTION | QTY. |
|----------|---|------|
| 2 | POST, 1-1/4" OD X 3-1/4", 6063-T5/6063-T6, MILL | 1 |
| 3 | WASHER, SEALING, 5/16" ID X 1-1/4" OD, EPDM BONDED SS | 1 |
| 4 | FLASHING, REPLACEMENT TILE, FLAT, 1" CONE, ALUMINUM, MILL | 1 |
| 5 | COLLAR, COUNTER FLASHING, 1-1/4" ID EPDM | 1 |
| 6 | CAP SCREW, HEX HEAD, 5/16"-18 X 1" UNC-2A, NYLON PATCH, W/CAPTIVE WASHER, 1"OD, 18-8 SS | 1 |
| 7 | CAP SCREW, SERRATED FLANGE, HEX HEAD, 5/16"-18 X 1" UNC-2A, GRADE 8, MAGNI 525 | 1 |



AVAILABLE IN MILL, AND BLACK FINISHES



TITLE:
**QMTR-F3.25: TILE REPLACEMENT,
 FLAT TILE, 3-1/4" POST**

| | | | |
|---|------------|-----------------|--------------|
| UNLESS OTHERWISE SPECIFIED: DIMENSIONS ARE IN INCHES TOLERANCES: FRACTIONAL ± 1/8 TWO PLACE DECIMAL ±.19 THREE PLACE DECIMAL ±.094 | SIZE | DRAWN BY: JPW | REV |
| | A | DATE: 1/27/2020 | 8 |
| | SCALE: 1:4 | WEIGHT: 1.23 | SHEET 1 OF 1 |

PROPRIETARY AND CONFIDENTIAL
 THE INFORMATION CONTAINED IN THIS DRAWING IS THE SOLE PROPERTY OF QUICK MOUNT PV. ANY REPRODUCTION IN PART OR AS A WHOLE WITHOUT THE WRITTEN PERMISSION OF QUICK MOUNT PV IS PROHIBITED. COPYRIGHT © 2020 QUICK MOUNT PV

DO NOT SCALE DRAWING