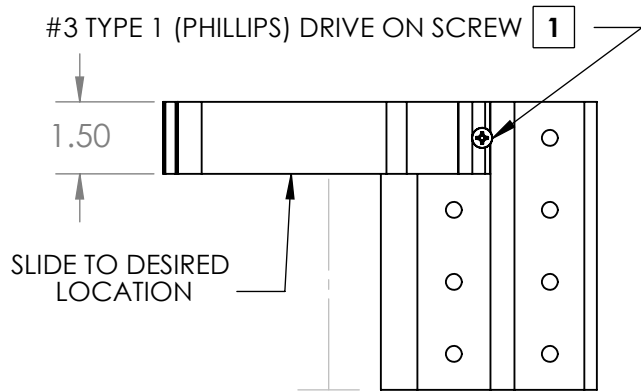
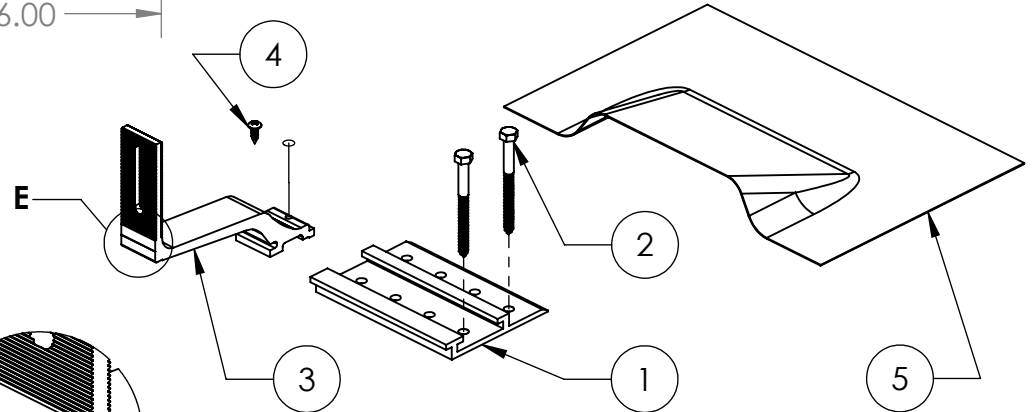


DIMENSION	QMHS	QMHL
A	6.57	6.30
B	2.21	1.93
C	1.89	1.60
D	6.27	6.00



IDENTIFYING MARK ON QMHLS ONLY

DETAIL E  
SCALE 1 : 2



**1 DO NOT USE IMPACT DRILL ON SCREW**

ITEM NO.	DESCRIPTION	QTY.
1	BASE PLATE, QUICK HOOK, 6", 6061-T6, MILL	1
2	LAG SCREW, HEX HEAD, 5/16" x 3-1/2", 18-8SS	2
3	QUICK HOOK, STANDARD/LOW HEIGHT, VERTICAL, 1.5", 6061-T6/6005A-T61, MILL	1
4	SCREW, SELF-TAPPING, #12 X 5/8", 18-8SS, MILL	1
5	SUBFLASHING, QUICK HOOK, 6" BASE, 9" X 14" X .032", 3003-0, MILL	1

PROPRIETARY AND CONFIDENTIAL  
THE INFORMATION CONTAINED IN THIS DRAWING IS THE SOLE PROPERTY OF QUICK MOUNT PV. ANY REPRODUCTION IN PART OR AS A WHOLE WITHOUT THE WRITTEN PERMISSION OF QUICK MOUNT PV IS PROHIBITED. COPYRIGHT © 2016 QUICK MOUNT PV

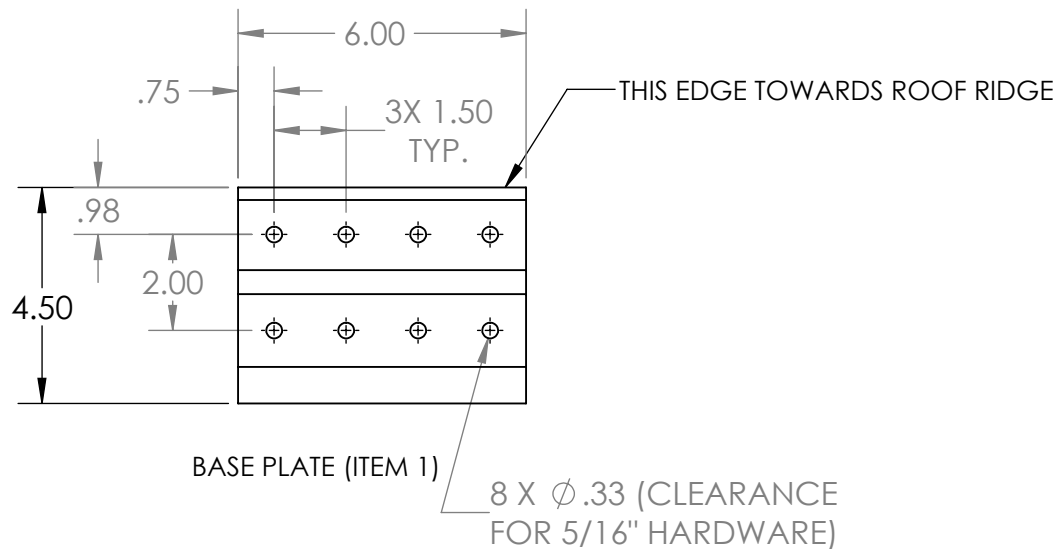
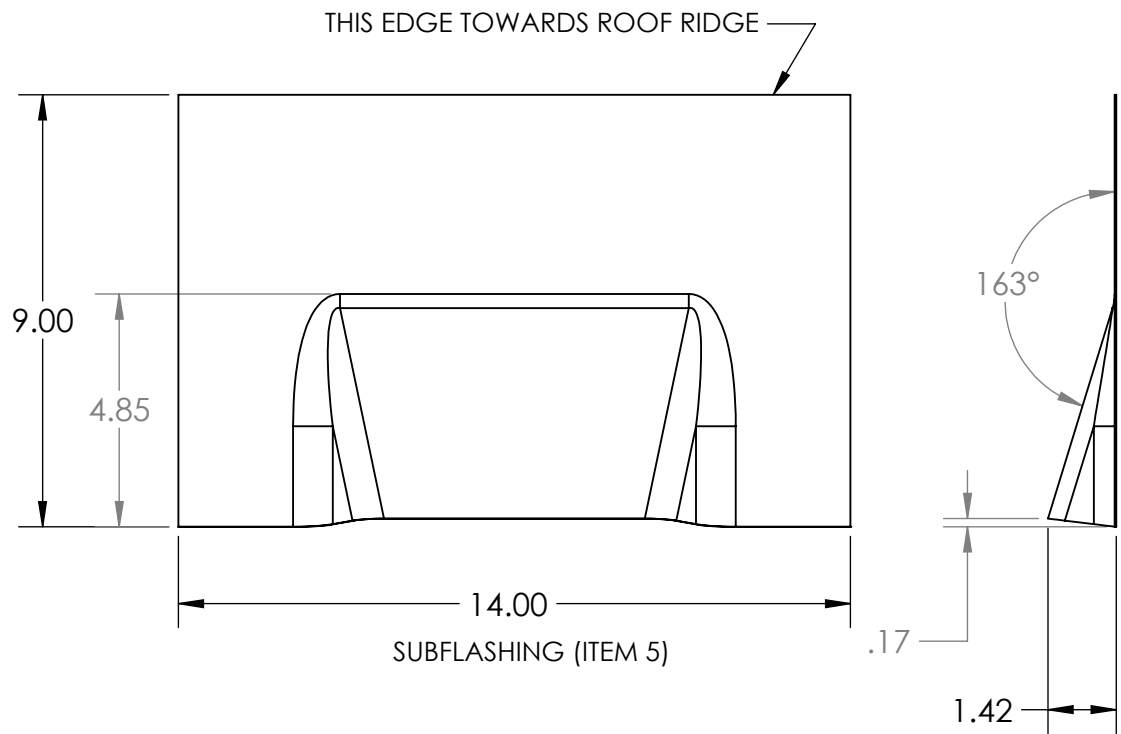
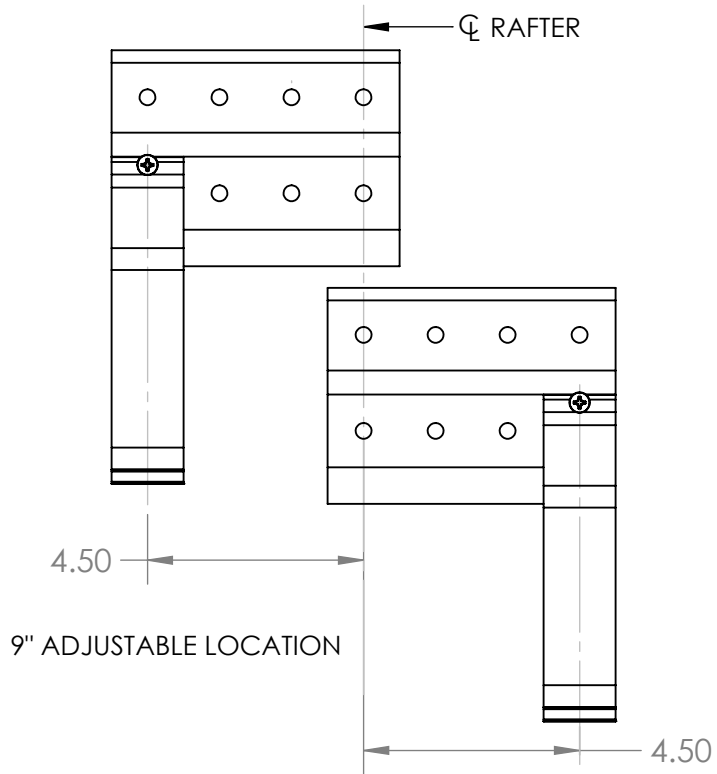
DO NOT SCALE DRAWING

**Quick Mount PV<sup>®</sup>**

TITLE:  
**QMHS & QMHL: QUICK HOOK FOR SIDE MOUNTED RAILS**

UNLESS OTHERWISE SPECIFIED: DIMENSIONS ARE IN INCHES TOLERANCES: FRACTIONAL ± 1/8 TWO PLACE DECIMAL ±.19 THREE PLACE DECIMAL ±.094	SIZE <b>A</b>	DRAWN BY: AAP	REV <b>11</b>
	SCALE: 1:8	DATE: 1/15/2019	WEIGHT: 1.82

SHEET 1 OF 2



"Controlled Document  
 Do Not Copy" *AD*

**Quick Mount PV<sup>®</sup>**

TITLE:  
**QMHS & QMHL: QUICK HOOK FOR SIDE MOUNTED RAILS**

UNLESS OTHERWISE SPECIFIED: DIMENSIONS ARE IN INCHES TOLERANCES: FRACTIONAL ± 1/8 TWO PLACE DECIMAL ± .19 THREE PLACE DECIMAL ± .094	SIZE	DRAWN BY: AAP	REV
	<b>A</b>	DATE: 1/15/2019	<b>11</b>
SCALE: 1:4	WEIGHT: 1.82	SHEET 2 OF 2	