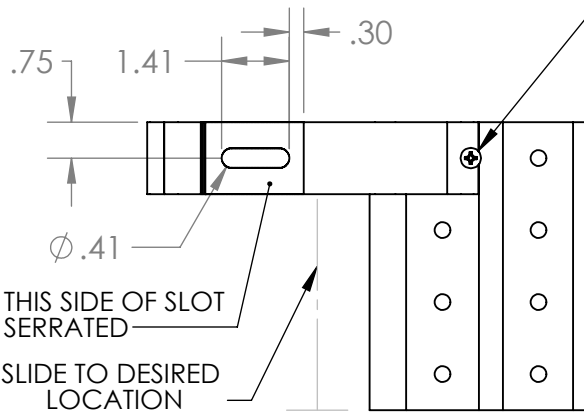
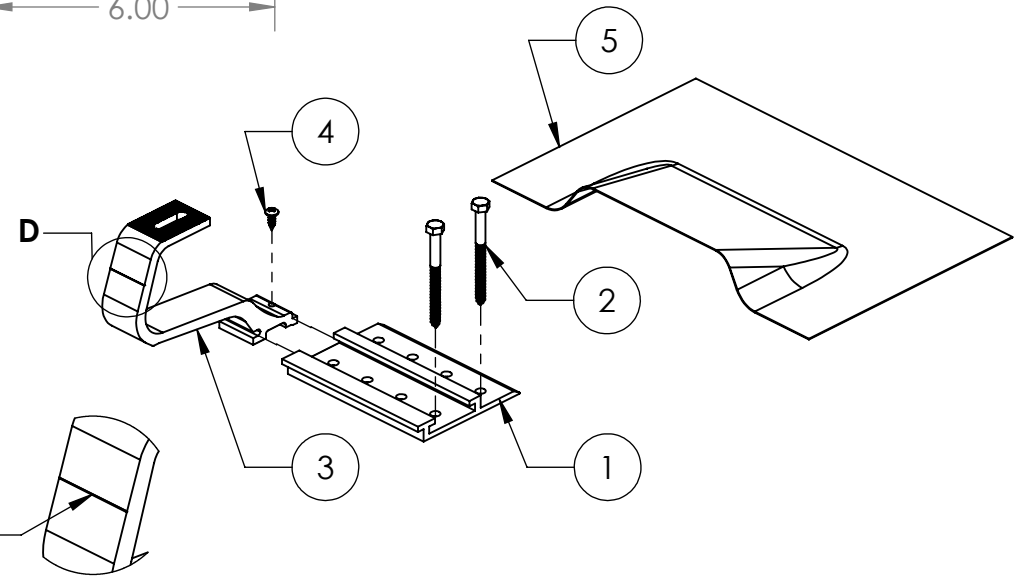


DIMENSION	QMHSB	QMHLB
A	5.84	5.58
B	2.21	1.93
C	1.89	1.60

#3 TYPE 1 (PHILLIPS) DRIVE ON SCREW **1**



IDENTIFYING MARK ON QMHLB ONLY



DETAIL D
SCALE 1 : 3

1 DO NOT USE IMPACT DRILL ON SCREW

ITEM NO.	DESCRIPTION	QTY.
1	BASE PLATE, QUICK HOOK, 6", 6061-T6, MILL	1
2	LAG SCREW, HEX HEAD, 5/16" x 3-1/2", 18-8SS	2
3	QUICK HOOK, LOW HEIGHT, HORIZONTAL, 1.5", 6061-T6, MILL	1
4	SCREW, SELF-TAPPING, #12 X 5/8", 18-8SS, MILL	1
5	SUBFLASHING, QUICK HOOK, 6" BASE, 9" X 14" X .032", 3003-0, MILL	1

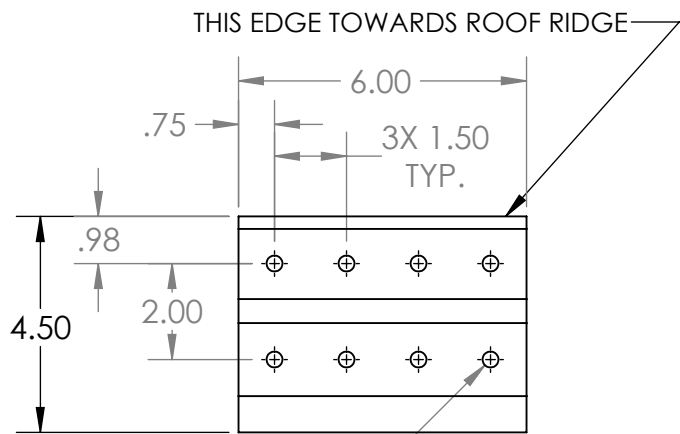
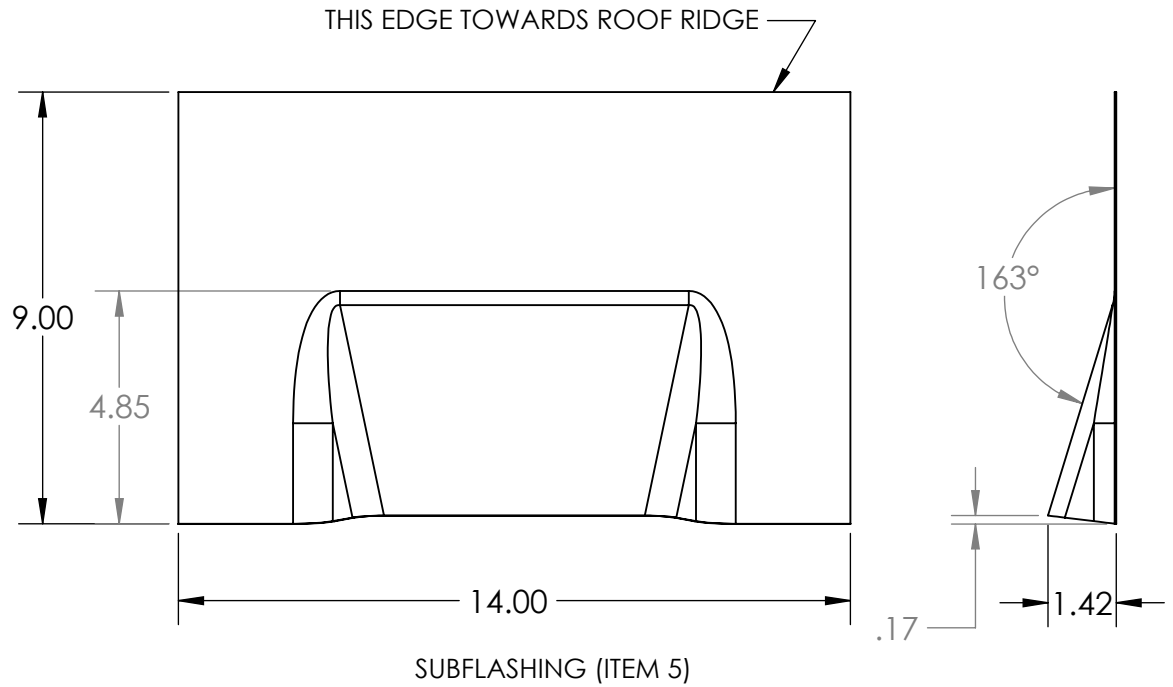
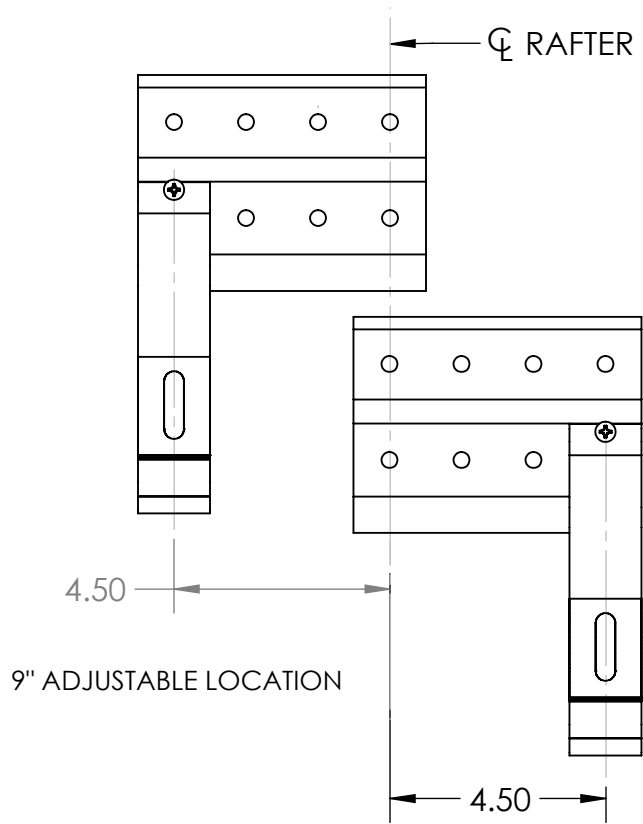
PROPRIETARY AND CONFIDENTIAL
THE INFORMATION CONTAINED IN THIS DRAWING IS THE SOLE PROPERTY OF QUICK MOUNT PV. ANY REPRODUCTION IN PART OR AS A WHOLE WITHOUT THE WRITTEN PERMISSION OF QUICK MOUNT PV IS PROHIBITED. COPYRIGHT © 2016 QUICK MOUNT PV

DO NOT SCALE DRAWING

Quick Mount PV[®]

TITLE:
QMHSB & QMHLB: QUICK HOOK FOR BOTTOM MOUNTED RAILS

UNLESS OTHERWISE SPECIFIED: DIMENSIONS ARE IN INCHES TOLERANCES: FRACTIONAL ± 1/8 TWO PLACE DECIMAL ±.19 THREE PLACE DECIMAL ±.094	SIZE	DRAWN BY: AAP	REV
	A	DATE: 1/15/2019	4
SCALE: 1:8	WEIGHT: 1.93	SHEET 1 OF 2	



BASE PLATE (ITEM 1)
 8 X ϕ .33 (CLEARANCE FOR 5/16" HARDWARE)

"Controlled Document
 Do Not Copy" *AD*

Quick Mount PV[®]

TITLE:
QMHSB & QMHLB: QUICK HOOK FOR BOTTOM MOUNTED RAILS

UNLESS OTHERWISE SPECIFIED:

DIMENSIONS ARE IN INCHES
 TOLERANCES:
 FRACTIONAL \pm 1/8
 TWO PLACE DECIMAL \pm .19
 THREE PLACE DECIMAL \pm .094

SIZE

A

DRAWN BY: AAP

DATE: 1/15/2019

REV

4

SCALE: 1:4

WEIGHT: 1.93

SHEET 2 OF 2