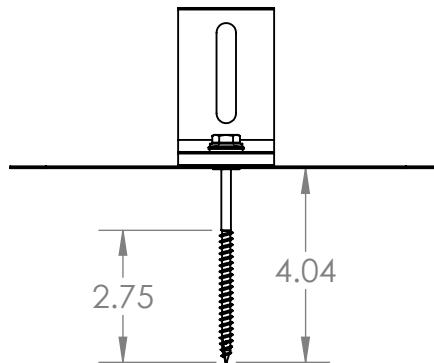
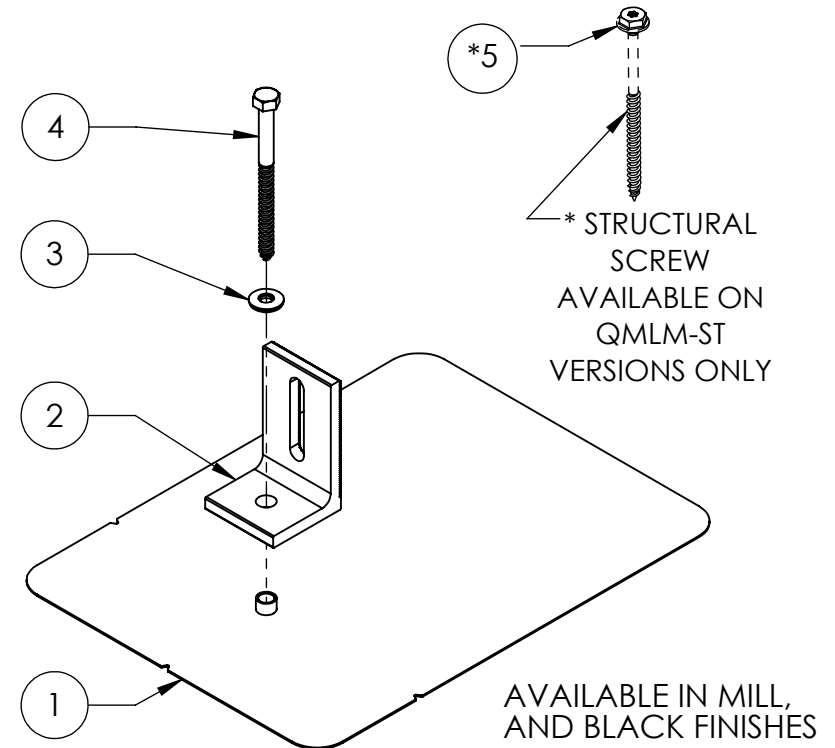


QMLM



QMLM-ST

ITEM NO.	DESCRIPTION	QTY.
1	FLASHING, ROUNDED CORNERS, 9" X 12" X .040", .438" HOLE, 5052, MILL	1
2	L-FOOT, 2" X 3.30" FOR .438" O.D. FASTENER, 2-1/16" SLOT, 6061-T6/6005A-T61, MILL	1
3	WASHER, SEALING, 5/16" ID X 3/4" OD, EPDM BONDED SS	1
4	LAG SCREW, HEX HEAD, 5/16" x 4", 18-8 SS	1
*5	STRUCTURAL SCREW, QMPV, T-30 HEX WASHER HEAD, 5/16" X 4-1/2", 18-8SS	1



Quick Mount PV

TITLE:
QMLM & QMLM-ST: L-MOUNT, 2-1/16" SLOT

UNLESS OTHERWISE SPECIFIED:

DIMENSIONS ARE IN INCHES
TOLERANCES:
FRACTIONAL ± 1/8
TWO PLACE DECIMAL ±.19
THREE PLACE DECIMAL ±.094

SIZE

A

DRAWN BY: AAP

DATE: 4/4/2019

REV

11

SCALE: 1:4

WEIGHT: 0.7565

SHEET 1 OF 1