

GENERAL

Vanner VSS Series Temperature Sensors are designed to operate in the most severe environments. The Temperature Sensors use Industry Standard Deutsch connectors for ease of integration. The housing is constructed from high strength Glass Filled Polycarbonate, the Nickel plated bus bar can be mounted directly to a Battery post or distribution bar onto a 1/2" or 13mm stud. The cover has a recess for a Cable-Ty to secure the housing to the cable.

SPECIFICATIONS

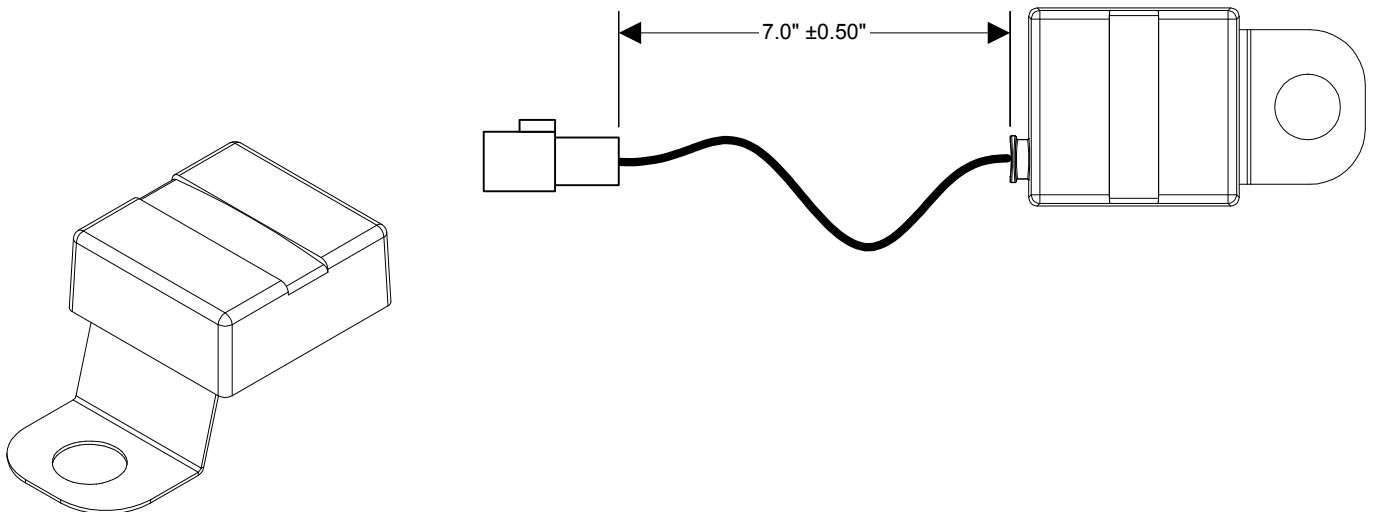
Temperature Range:	-40°F to +150°F (-40°C to +65°C)
Supply Voltage:	4.5 - 10.0 Vdc
Supply Current:	10 mA
Load Resistance:	<4kΩ
Output Voltage:	.5 - 4.5 V
Weight:	< 1.0 Lbs.
Offset:	500 mV
Gain:	10.0 mV/°C

Mating Deutsch connection is as follows:

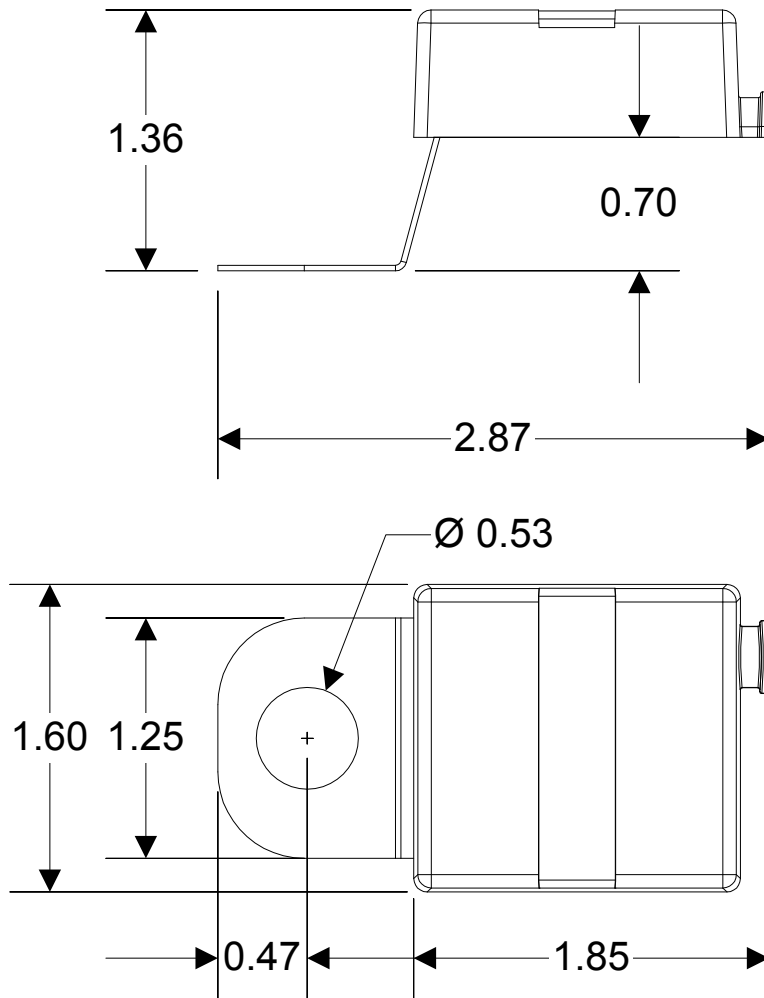
Housing: DT04-4P
 Lock: W4P
 Terminal: 0460-202-16141 Solid or
 1060-16-0122 Stamped,
 16-18AWG

Deutsch Pinout:

- | | |
|----------|--------------------------------|
| 1. Red | +5V Input |
| 2. Black | Ground |
| 3. Green | Temp Sense |
| 4. White | Fused +12V Output from Bus Bar |



Overall Dimensions



Notes:
