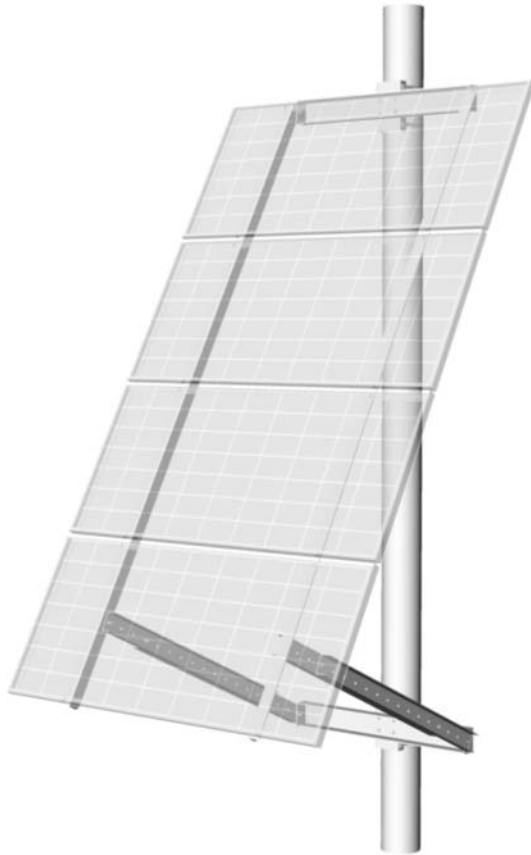




DPW | SOLAR



PREFORMED LINE PRODUCTS



Side-of-Pole Mount for 4 Modules (SPM4) For Module Type D

ASSEMBLY INSTRUCTIONS

step-by-step
assembly and installation

Side-of-Pole Mount for 4 Modules (SPM4) For Module Type D

A few words about the product

The SPM4 for module type D is designed to mount on 3"- 4.5" O.D. pipe (installer supplied). Options are available for mounting to larger diameter poles.

Pipe size and foundation requirements are based on several factors including the array surface area, maximum design wind speed, exposure category, soil type, steepest expected tilt angle and above-ground clearance.

For foundation and pipe size recommendations on a specific installation, please contact us at:

Phone: 800-260-3792

Email: info@dpwsolar.com

About these Assembly Instructions

These instructions...

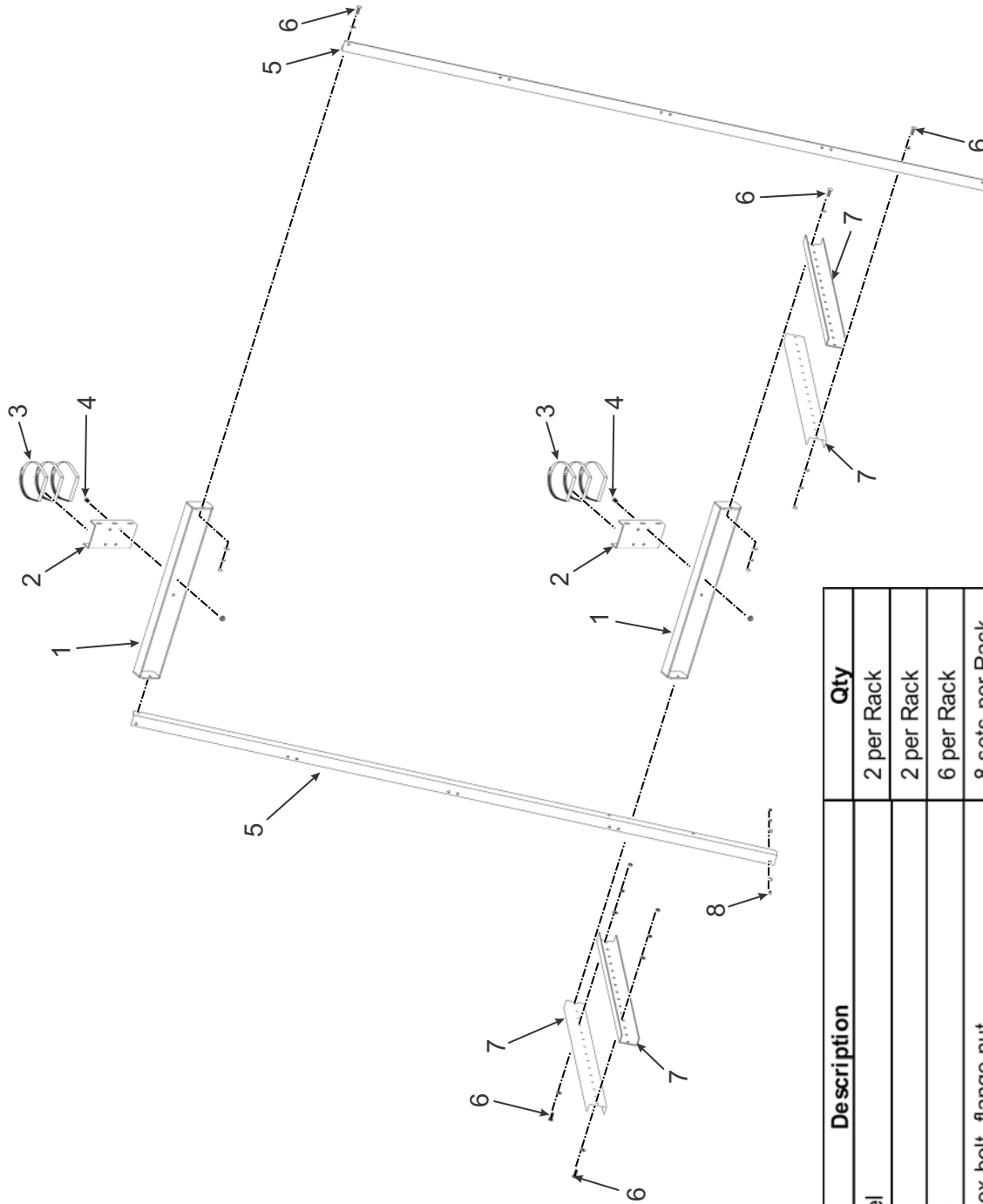
- Are intended to be used by individuals with sufficient technical skills for the task. Knowledge and use of hand tools, measuring devices and torque values is also required.
- Include various precautions in the forms of Notes, Cautions, and Warnings. These are to assist in the assembly process and/or to draw attention to the fact that certain assembly steps may be dangerous and could cause serious personal injury and/or damage to components. Following the step-by-step procedures and these precautions is designed to minimize the risk of any personal injury or damage to components while making the installation not only safe but also efficient.

WARNING:

Follow the procedures and precautions in these instructions carefully.

Required Tools

- 7/16 inch wrench or socket for 1/4 inch module hardware
- 9/16 inch wrench or socket for 3/8 inch hardware
- Torque wrench (not absolutely necessary)
- Ratchet wrench
- Ratchet extension bar



Item	Description	Qty
1	Pole Channel	2 per Rack
2	Pole Cradle	2 per Rack
3	Band Clamp	6 per Rack
4	3/8" x 3/4" hex bolt, flange nut	8 sets per Rack
5	Module Rail (left & right)	2 per Rack
6	3/8" x 1" hex bolt, lock washer, flat washers	10 sets per Rack
7	Strut	2 sets per Rack
8	1/4" x 3/4" hex bolt, lock washer, flat washers, nut	16 sets per Rack

Side-of-Pole Mount for 4 Modules for Module Type D Parts Identification

How the PV Module Tilt Angle is Set

CAUTION:

Use care while working around the structure during assembly. There could be components that create hazards or obstruct free movement, causing serious bodily injury. Many of these are at head/eye level. Move slowly and with care around the work area.

Before assembly, determine what the PV Module tilt angle will be. This is critical because during assembly, certain components must be assembled in a particular manner in order to achieve that desired tilt.

The tilt angle is set through the combination of the vertical span between the two Pole Channels, the Rail attachment point (a or b) of the Expandable Strut and the length of the Expandable Struts. (See Figure 1-1)

When setting this combination of components, one aspect of high structural importance is the relative elevation between the Lower Pole Channel and the Strut-to-Rail attachment point. In order to achieve optimum structural endurance and support, the Lower Pole Channel must be at a lower elevation than the Strut-to-Rail attachment point. (See Figure 1-2)

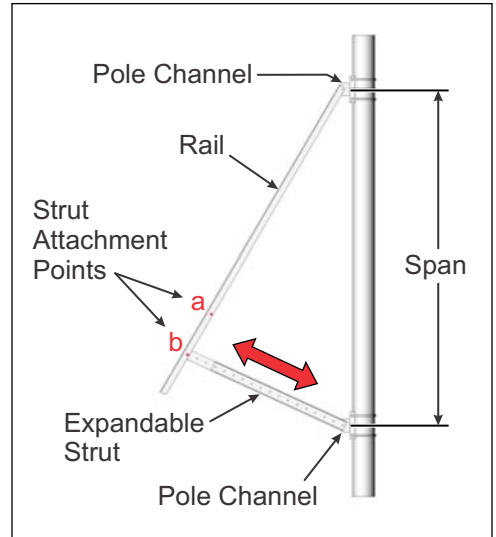


Figure 1-1: Components that Determine Tilt

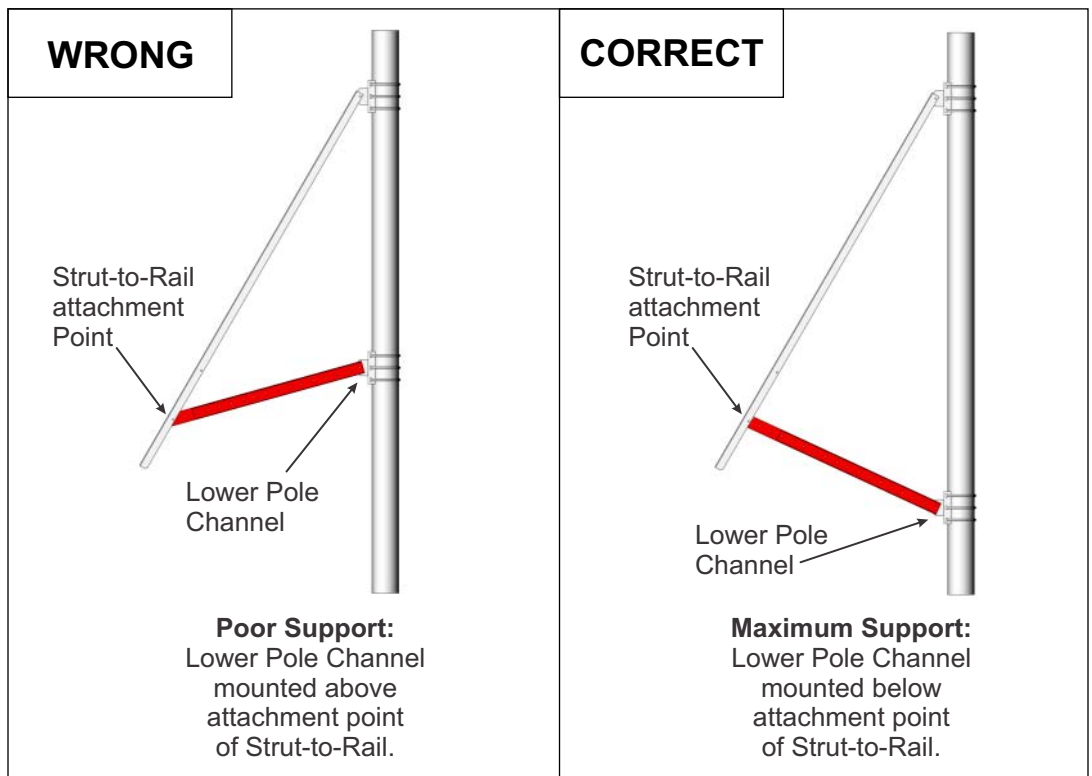


Figure 1-2: Best Practice for Optimum Module Support

Figure 1-3 below identifies common tilt angles and the unique combination of Pole Channel span along with the Expandable Strut attachment point (a or b) to the Module Rail. Although other tilt angles are possible, these address the most common angles.

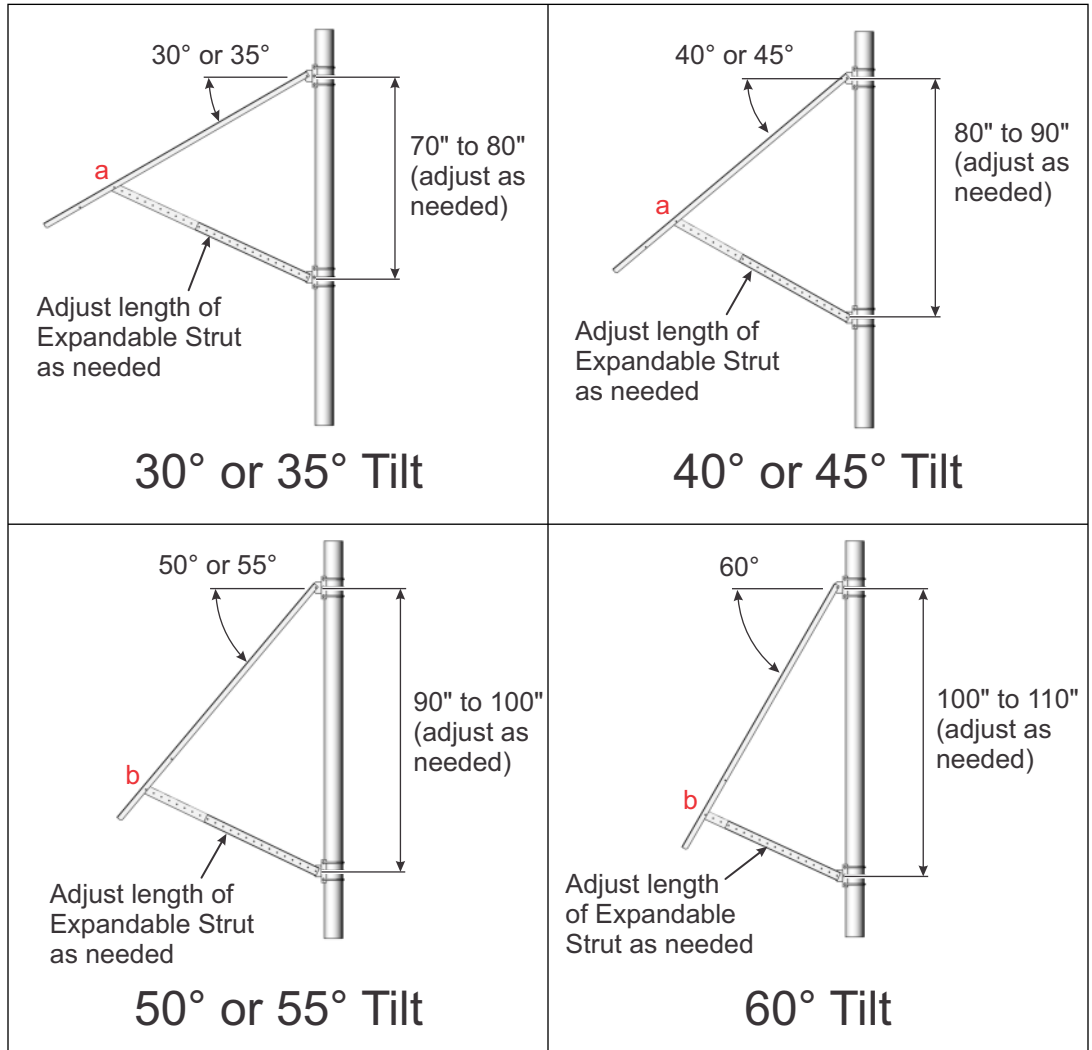


Figure 1-3: Common Tilt Angles, Pole Channel spans, and Strut Attachment Points

The Expandable Struts

The Expandable Struts are a two-piece configuration, employing a series of holes which allows the length of the Struts to be modified to align with the attachment point (a or b) of the Rails while supporting the desired tilt angle. To join the two halves of the Expandable Struts, hold the Rail at the desired tilt angle, align the hole patterns and secure the two halves together with the attaching hardware. See Step 5 for more detail.

Step 1: Attach Pole Channels to Mounting Pole

Before installing the Pole Channels, verify that the Mounting Pole is plumb to the ground and hasn't shifted or leaned while the concrete footing has cured.

The two Pole Channels are secured to the Mounting Pole using Band Clamps. The span between the two Pole Channels partly determines the tilt angle of the PV Module. Therefore, before proceeding, determine what the angle of the Module will be and then refer to Figure 1-3 to locate the span measurement between the two Pole Channels based on the desired tilt angle of the PV Module. For example, on a 30-degree tilt, the span between Pole Channels is 70-80 inches center to center. The dimensional range is a starting point and accommodates a wide variety of PV Module dimensions. The example of 70-80 inches may need modification during Step 5 in order to achieve the desired tilt angle.

Measure and mark the mounting locations of the two Pole Channels on the Mounting Pole. Then install the lower Pole Channel followed by the upper Pole Channel.

There are two methods of installing the Pole Channels on the Mounting Pole. One method is to first install the Band Clamps on the Pole Channel and slip the Band Clamps and Pole Channel over the top of the Mounting Pipe. The second method is to hold the Pole Channel against the Mounting Pipe and thread the Band Clamps through the vertical slots of the Pole Channel and around the Mounting Pole. The second method is generally used when the top of the Mounting Pole is not accessible. These instructions detail the first method.

Prepare the Pole Channels by installing the three Band Clamps on each Pole Channel. The Band Clamps pass through the three sets of vertical slotted holes of the Pole Channel.

- A. Unscrew the three Band Clamps and pass the loose ends through the three vertical slots of the Pole Channel, positioning the screw housing on the backside of the Pole Channel. Secure the loose ends by screwing them back into their screw housing. Complete this process on both Pole Channels. (See Figure 1-4)

NOTE:

Depending on access to the top of the Mounting Pole, the Band Clamps and Pole Channel can either be slipped over the top of the Mounting Pole or attached anywhere along the Mounting Pole.

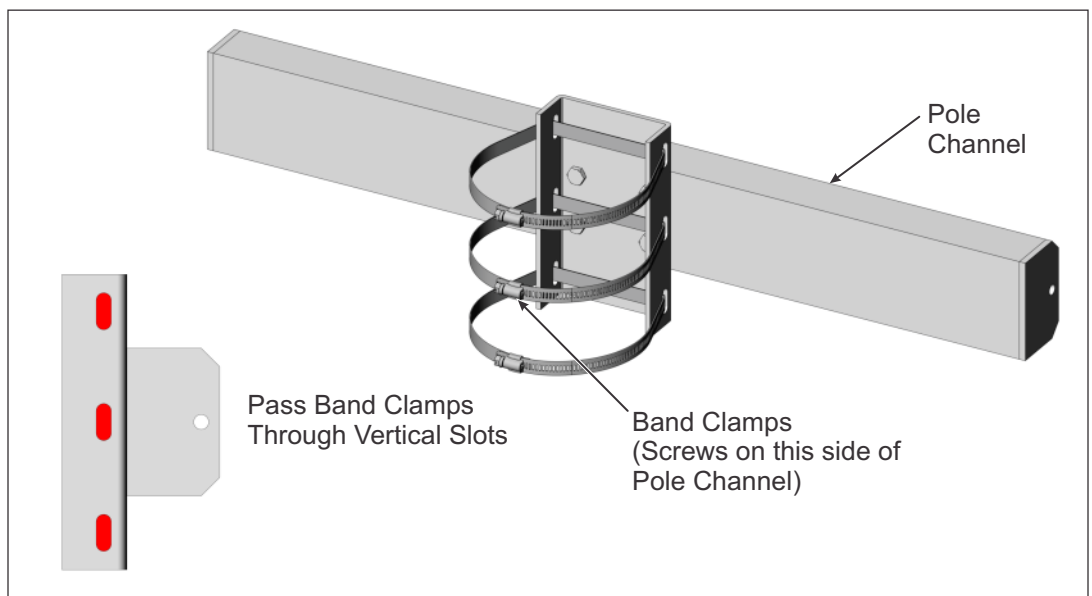


Figure 1-4: Installing Band Clamps on Pole Channel

- B. Install the lower Pole Channel by slipping the Band Clamps and Pole Channel over the top of Mounting Pole and then slide it down to its pre-determined and previously marked vertical position on the Mounting Pole.
- C. Rotate the Pole Channel so that it is facing south. (See Figure 1-5)
- D. Tighten the three Band Clamps securing the Pole Channel to the Mounting Pole.

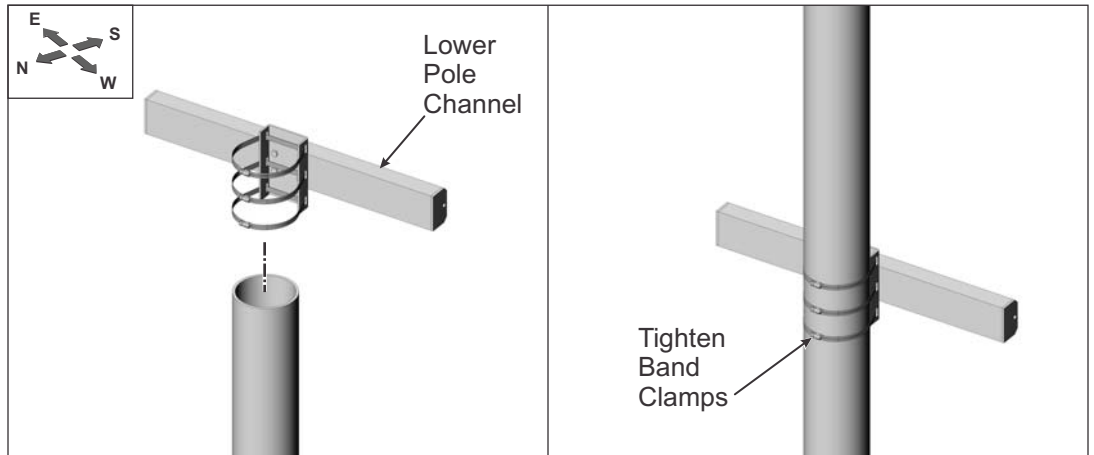


Figure 1-5: Installing Lower Pole Channel

- E. Install the upper Pole Channel in the same manner, aligning it to its pre-determined and previously marked vertical position on the Mounting Pole.
- F. Rotate the Pole Channel so it is facing south. (See Figure 1-6)
- G. Tighten the three Band Clamps securing the Pole Channel to the Mounting Pole.

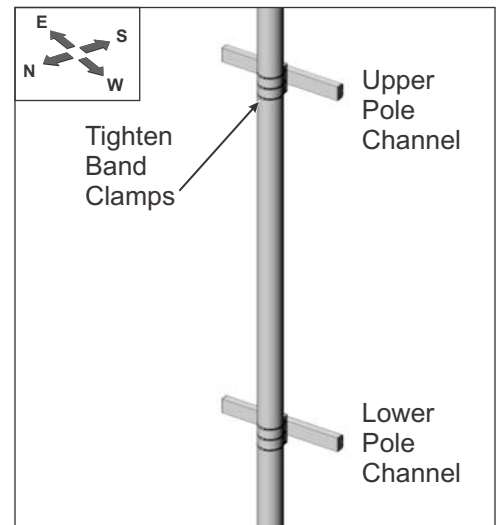


Figure 1-6: Installing Upper Pole Channel

Step 2: Attaching First Half of Expandable Struts to Lower Pole Channel

The Expandable Struts are attached to the ends of the lower Pole Channel using 3/8" x 1" hex bolts and hardware. The Struts are attached/assembled in two stages with one half installed here (See Figure 2-1) and second half installed in Step 4.

- A. Orient and align the Struts as shown in Figure 2-1. Secure with one 3/8" x 1" hex bolt, lock washer, flat washers and Hex Nut. Finger tighten for now.

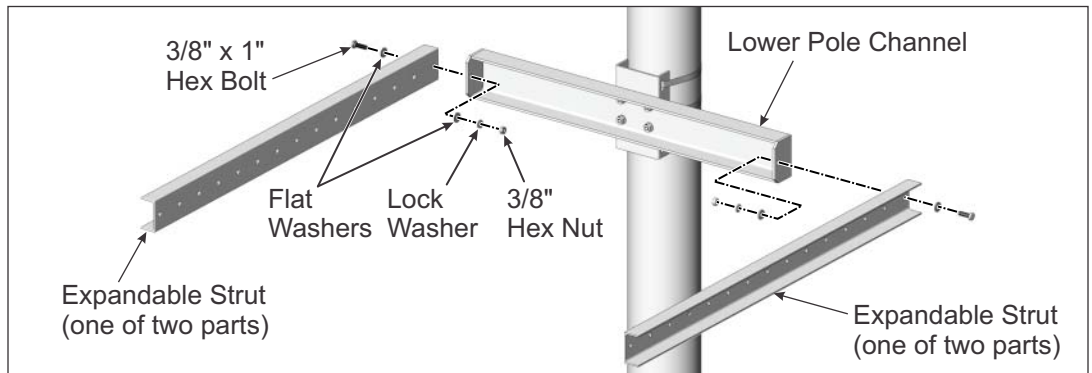


Figure 2-1: Attaching First Half of Expandable Struts to Pole Channel

Step 3: Attaching Module Rails to Upper Pole Channel

The two Module Rails are attached to the ends of the upper Pole Channel using 3/8" x 1" hex bolts and hardware. (See Figure 3-1)

- A. Orient and align the left Module Rail as shown in Figure 3-1. Secure with one 3/8" x 1" hex bolt, lock washer, flat washers and Hex Nut. Finger tighten for now.
- B. Continue in this manner to install the right Module Rail, and finger tighten for now.

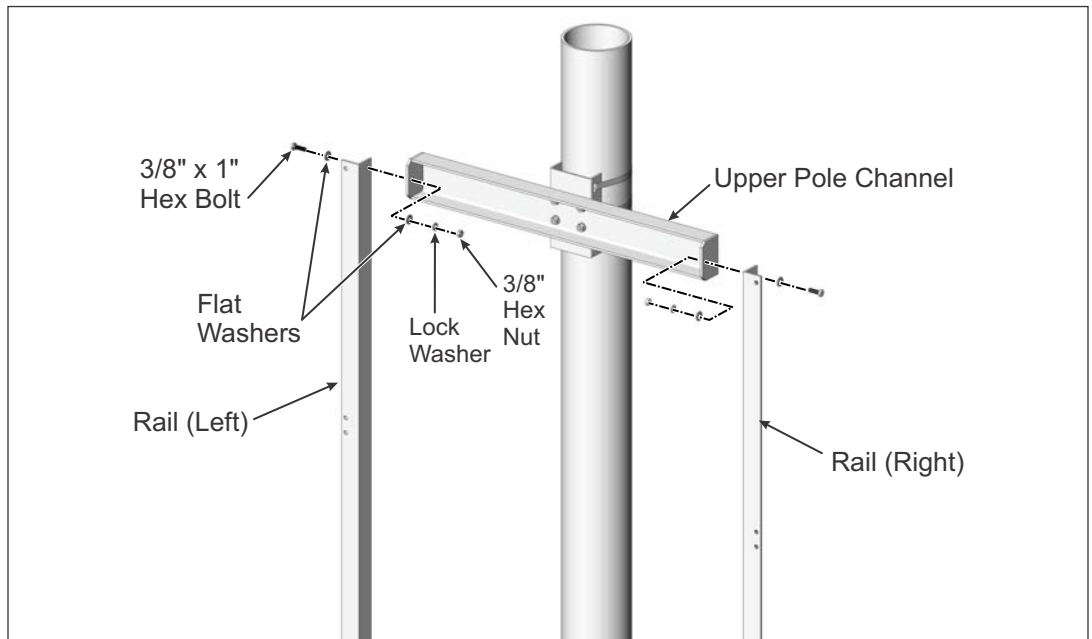


Figure 3-1: Attaching Rails to Pole Channel

Step 4: Attaching Second Half of Expandable Struts to Rails

The second half of the Expandable Struts are secured to the attachment points of the Rails (a or b) using 3/8" x 1" hex bolts and hardware. (See Figures 1-1, 1-2 and 4-1)

- A. Using the corresponding attachment point that sets the desired tilt, attach the Struts as shown in Figure 4-1. Secure with one 3/8" x 1" hex bolt, lock washer, flat washers and Hex Nut. Finger tighten for now.

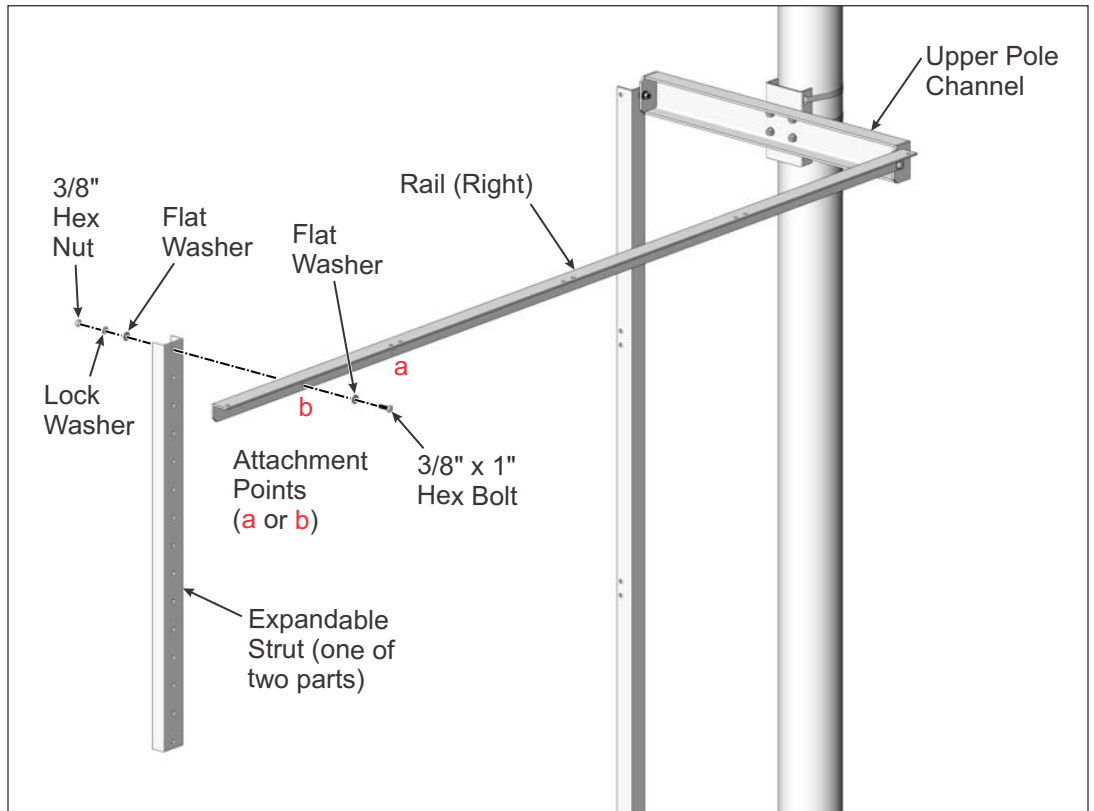


Figure 4-1: Attaching Second Half of Expandable Struts to Rails

Step 5: Joining the Two Halves of the Expandable Strut

The two halves of the Expandable Struts are secured to one another using 3/8" x 1" hex bolts and hardware. To join the two halves of the Expandable Struts, hold the Rail at the desired tilt angle (using a device like an inclinometer), align the hole patterns and secure the two halves together with the attaching hardware.

- A. Rotate and hold the Module Rail at the desired tilt angle.
- B. Rotate the two halves of the Expandable Strut, bringing their hole patterns into alignment with one another. If their hole patterns do not line up, it may be necessary to loosen the Lower Pole Channel and raise or lower it along the mounting pole.
- C. Secure the two halves with 3/8" x 1" hex bolt, lock washer, flat washers and Hex Nut. Be sure and insert the bolts in the last hole on each of the two halves as shown in Figure 5-1. **Torque to 32-34 ft.-lbs.**
- D. Continue in this manner and join the two halves of the other Expandable Strut.

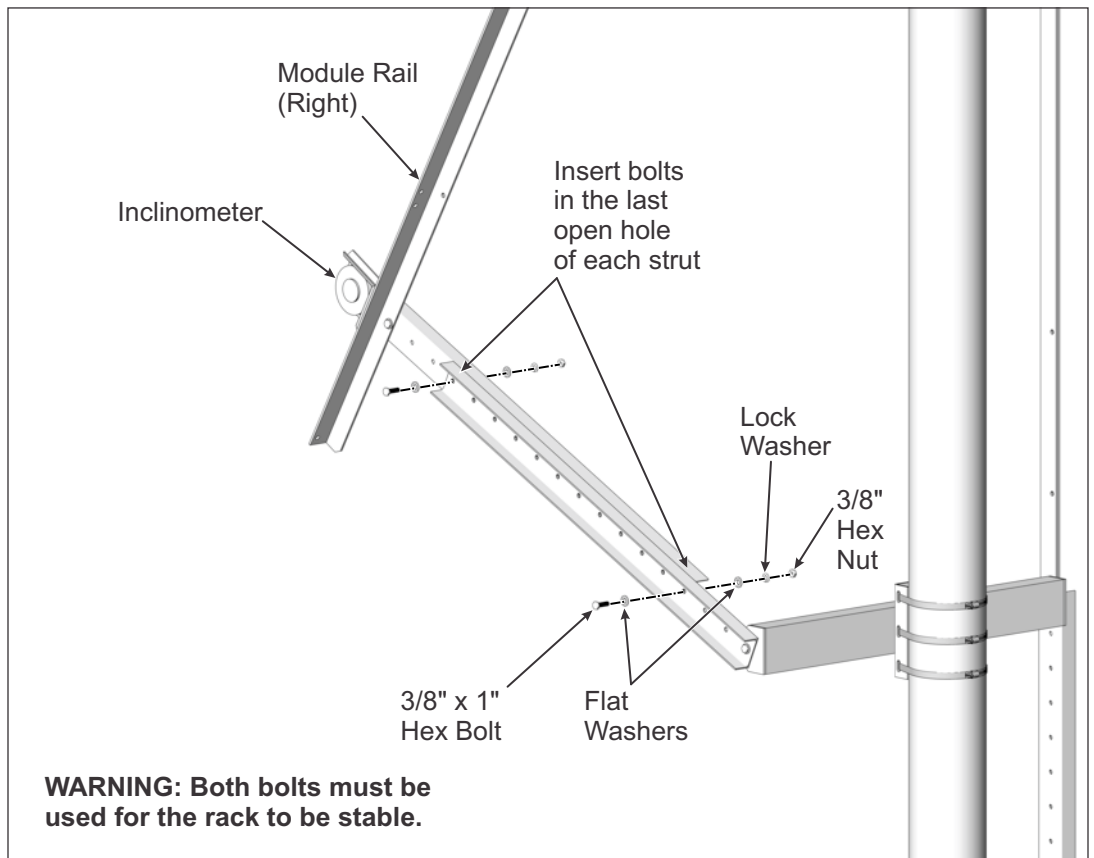


Figure 5-1: Joining the Two Halves of the Expandable Struts

Step 6: Return and Tighten Hardware

Return and tighten the hardware securing the Module Rails and Struts to the upper and lower Pole Channels. **Torque to 32-34 ft.-lbs.** (See Figure 6-1)

CAUTION:

Be certain to return and tighten all hardware, securing the Rails and Struts to the Upper and Lower Pole Channels.

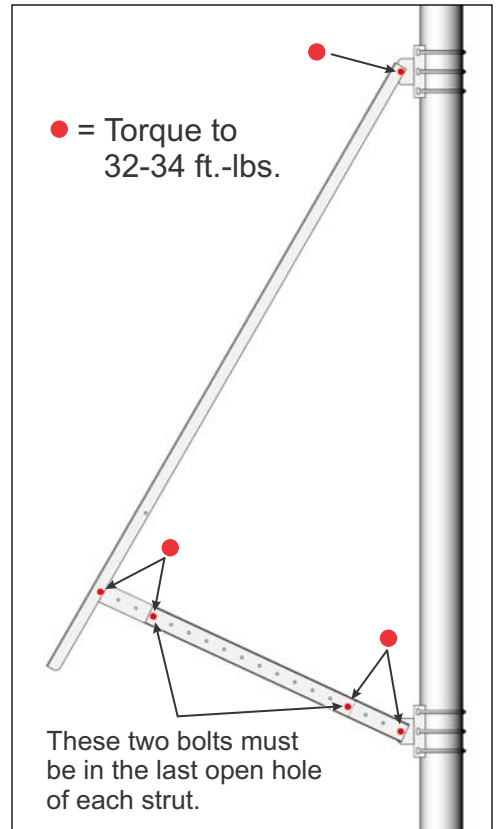


Figure 6-1: Return and Tighten Hardware

Step 7: Attach PV Module to Module Rails

PV Modules are secured to the Module Rails using 1/4" x 3/4" bolts and hardware. In general, there are four attachment points per Module.

CAUTION:

This is a two person activity. The PV Module is heavy and unstable before fully secured to the Module Rails. The PV Module must be held in place by one person while the second person aligns and secures it to the Module Rails. Failure to do so could lead to serious personal injury and damaged components.

- Place the Module on the Module Rails. While one person holds the Module in place, align the mounting holes and secure with four 1/4" x 3/4" bolts and hardware. Torque to 6-8 ft.-lbs. (See Figure 7-1)
- Continue in this manner and install the remaining Modules.

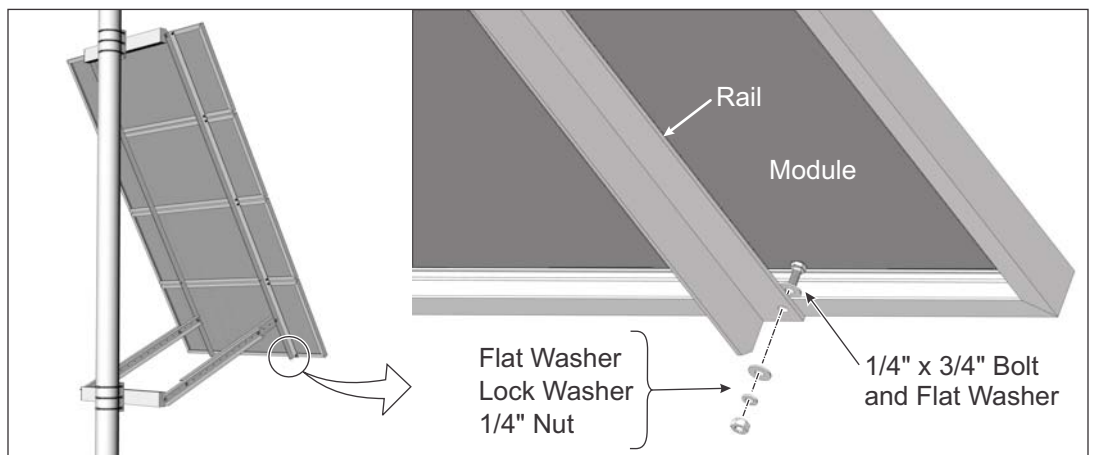


Figure 7-1: Attaching Module to Rail



2716 Vassar Place NE
Albuquerque, New Mexico 87107
USA

Telephone: 800.260.3792
Fax: 505.889.3548
Web Site: www.DPWSolar.com
E-mail: info@dpwsolar.com

Preformed Line Products
(Canada) Limited
1711 Bishop St. E
Cambridge, ON N1T 1N5

Telephone: 519.740.6666
Fax: 519.740.7917
Web Site: www.preformed.on.ca
E-mail: sales@preformed.on.ca