

SIDE-OF-POLE MOUNTS



PREFORMED
LINE PRODUCTS

DPW Solar's Side-of-Pole Mounts are available in both painted steel (PS) and aluminum (AL) versions. This sheet describes our standard line of mounts. DPW Solar specializes in custom design and fabrication and can build mounts to meet your exact needs.

SP3337

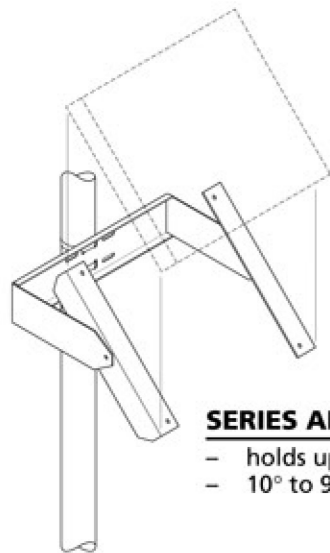
SPECIFICATIONS

MATERIALS

ALUMINUM (AL) SIDE-OF-POLE MOUNTS: Formed aluminum parts are made of 5052-H32 aluminum. All extrusions used are 6061-T6 structural alloy. Corners are coped, edges are sanded and holes are deburred. Stainless steel module mounting hardware and rack assembly hardware are provided with each rack.

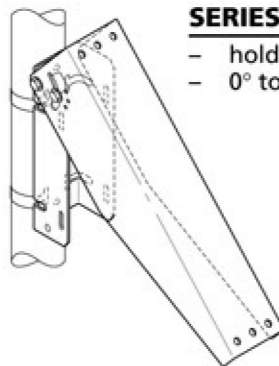
ELEVATION ANGLE ADJUSTMENT

AL & PS: Tilt-angle adjustment varies with rack design. See drawings.



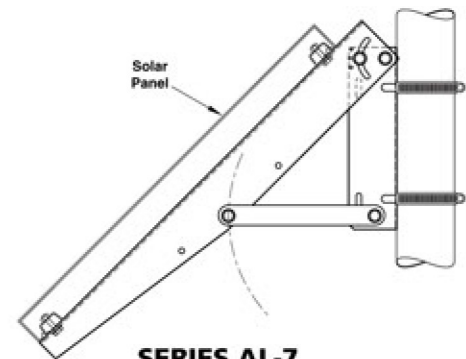
SERIES AL-1.5

- holds up to 1.5 ft²
- 10° to 90° (vertical)



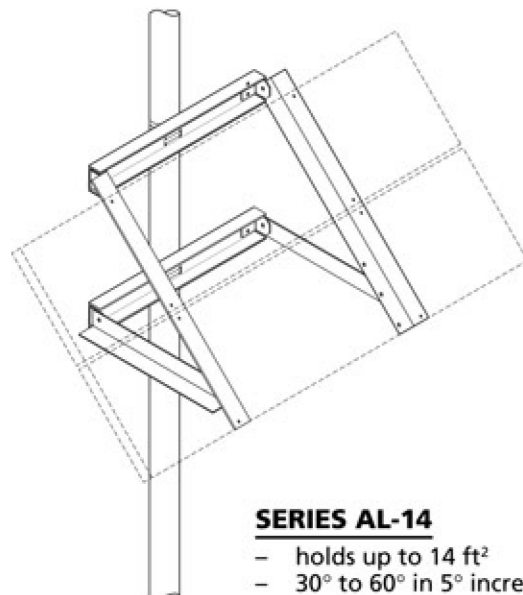
SERIES AL-5

- holds up to 5 ft²
- 0° to 90° (vertical)



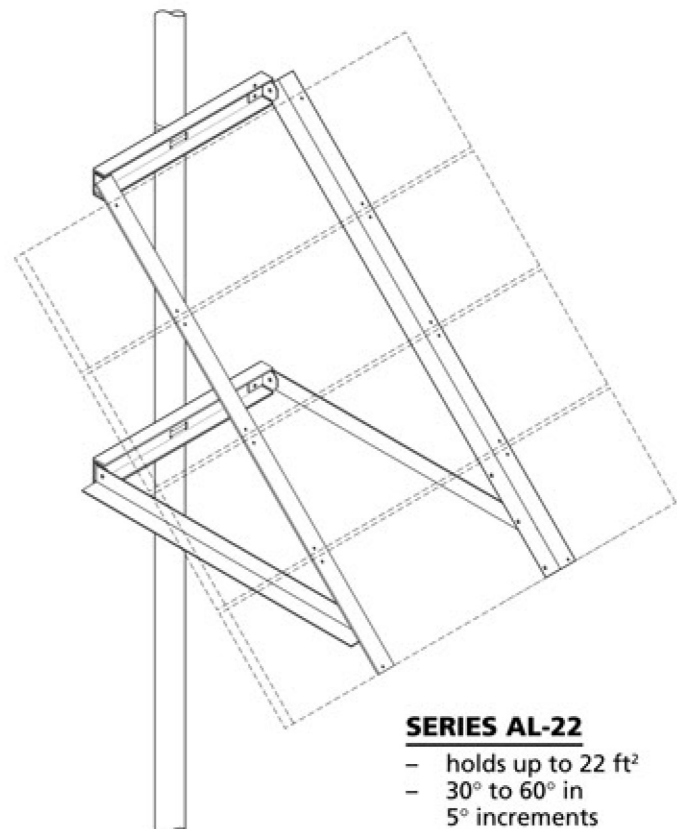
SERIES AL-7

- holds up to 7 ft²
- 30°, 45° & 60° standard



SERIES AL-14

- holds up to 14 ft²
- 30° to 60° in 5° increments



SERIES AL-22

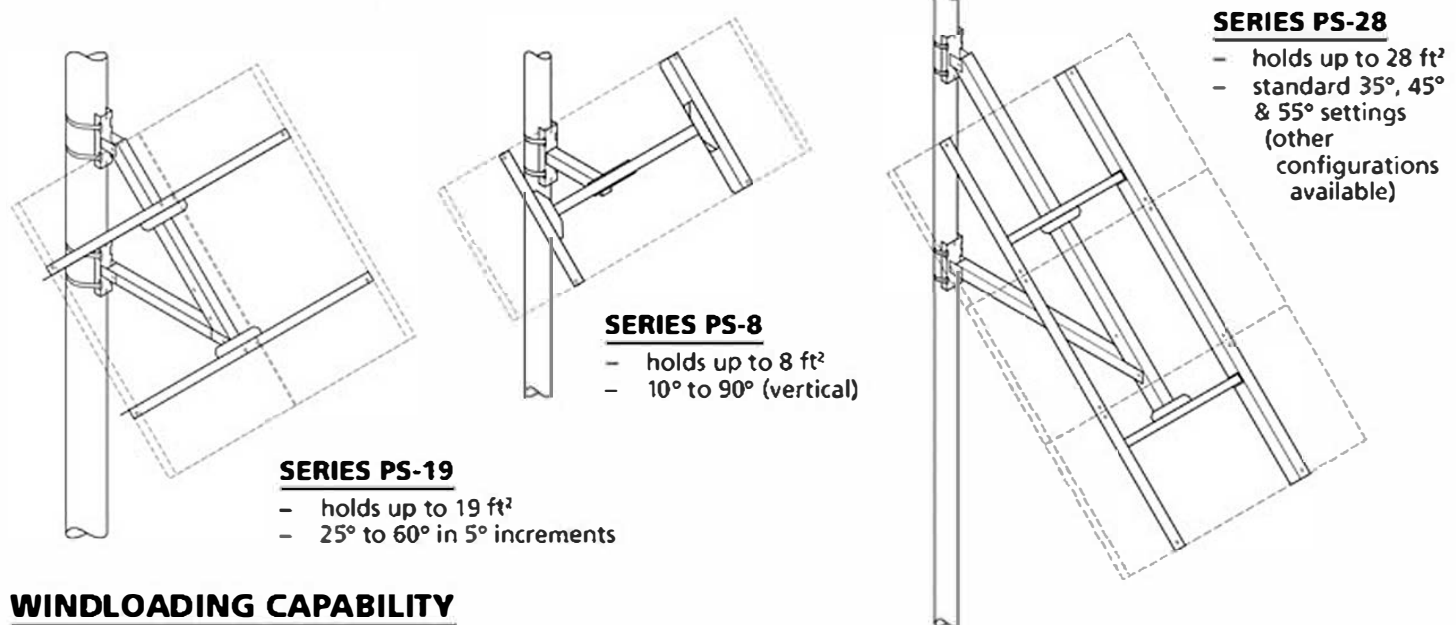
- holds up to 22 ft²
- 30° to 60° in 5° increments

SIDE-OF-POLE MOUNTS (continued)

MATERIALS

PAINTED STEEL (PS) SIDE-OF-POLE MOUNTS: Pole brackets, strongbacks and support struts are made of heavy gauge steel flat bar and square tubing conforming to ASTM A36 and ASTM A500-Grade B. All parts are mig-welded, burrs are removed, corners are coped and edges are sanded. Steel parts are coated with a minimum of two coats of industrial urethane enamel.

Module Rails are made of mill-finish 6061-T6 structural aluminum angle. All holes are deburred and edges are coped and sanded. Stainless steel module mounting hardware is provided with each rack. Standard rack assembly hardware is zinc-plated Grade 5.



WINDLOADING CAPABILITY

AL & PS: Standard models are designed and warranted to withstand windloads of 30 lbs./ft² (approximately 90 mph). Designs capable of withstanding greater loads are available for high-wind areas.

MOUNTING

AL & PS: Most DP&W Side-of-Pole Mounts are attached to the pole with stainless steel band clamps (provided). Two or four band clamps are used depending on the design. Series AL-22 and PS-28 come with band clamps for 3" to 5" OD poles. All other racks are supplied with clamps for 2" to 4" OD poles. Many other sizes are available; please specify pole sizes when ordering. These racks can also be u-bolted or lag-bolted to poles (square or round) and to the sides of buildings or other vertical surfaces. Brackets are also available for mounting to ROHN towers and wood telephone poles.

SHIPPING

AL & PS: All standard racks can ship via UPS.

OPTIONS

- Anodized aluminum
- Custom size band clamps
- Tamper-resistant hardware
- Combiner box mounting plates
- Hot-dip-galvanized steel
- Custom elevation angle settings
- Brackets for trees
- ROHN tower mounts
- Fixed-angle mounts

FOR MORE INFORMATION:



800-260-3792

DPW Solar
2716 Vassar Place NE

Albuquerque, NM 87107

Telephone 505-889-3585 • Facsimile 505-889-3548
www.DPWSolar.com • Email: info@DPWSolar.com

SP3337

© 2015 DPW Solar