

DESCRIPTION:

SNAPNRACK, WIRE SAVER

DRAWN BY:

mwatkins

REVISION:

A

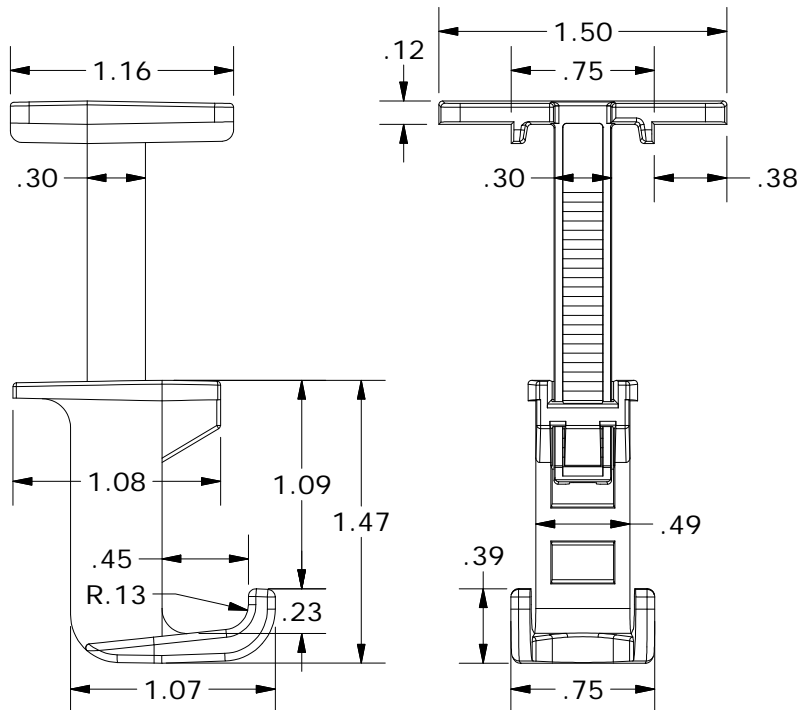
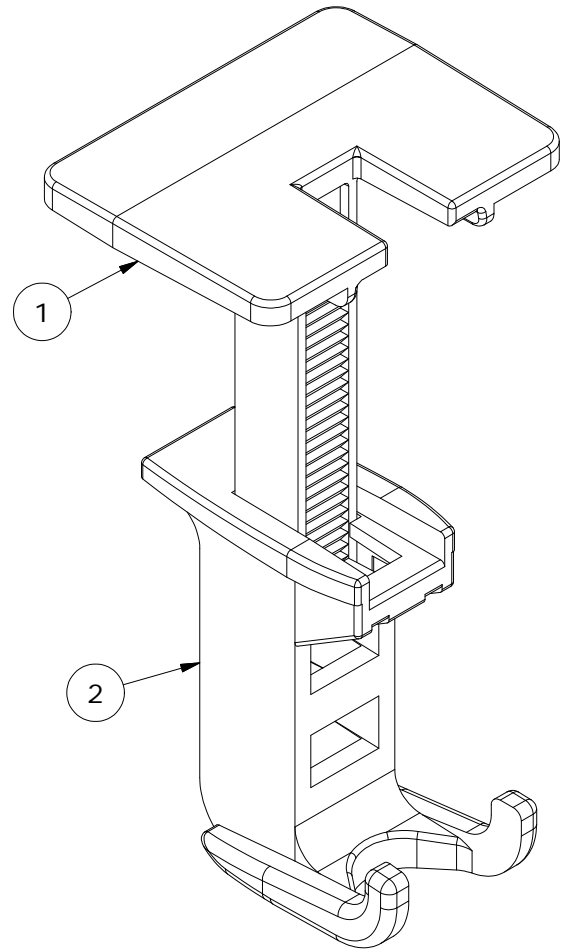
SnapNrack™
Solar Mounting Solutions

PART NUMBER(S):

242-92262

595 MARKET STREET, 29TH FLOOR • SAN FRANCISCO, CA 94105 USA
PHONE (415) 580-6900 • FAX (415) 580-6902

THE INFORMATION IN THIS DRAWING IS CONFIDENTIAL AND PROPRIETARY. ANY REPRODUCTION, DISCLOSURE, OR USE THEREOF IS PROHIBITED WITHOUT THE WRITTEN CONSENT OF SUNRUN SOUTH LLC.



PARTS LIST		
ITEM	QTY	DESCRIPTION
1	1	SNAPNRACK, WIRE SAVER TOP
2	1	SNAPNRACK, WIRE SAVER BOTTOM

MATERIALS:

POLYCARBONATE

OPTIONS:

DESIGN LOAD (LBS):

N/A

ULTIMATE LOAD (LBS):

N/A

TORQUE SPECIFICATION:

N/A LB-FT

CERTIFICATION:

N/A

WEIGHT (LBS):

0.022