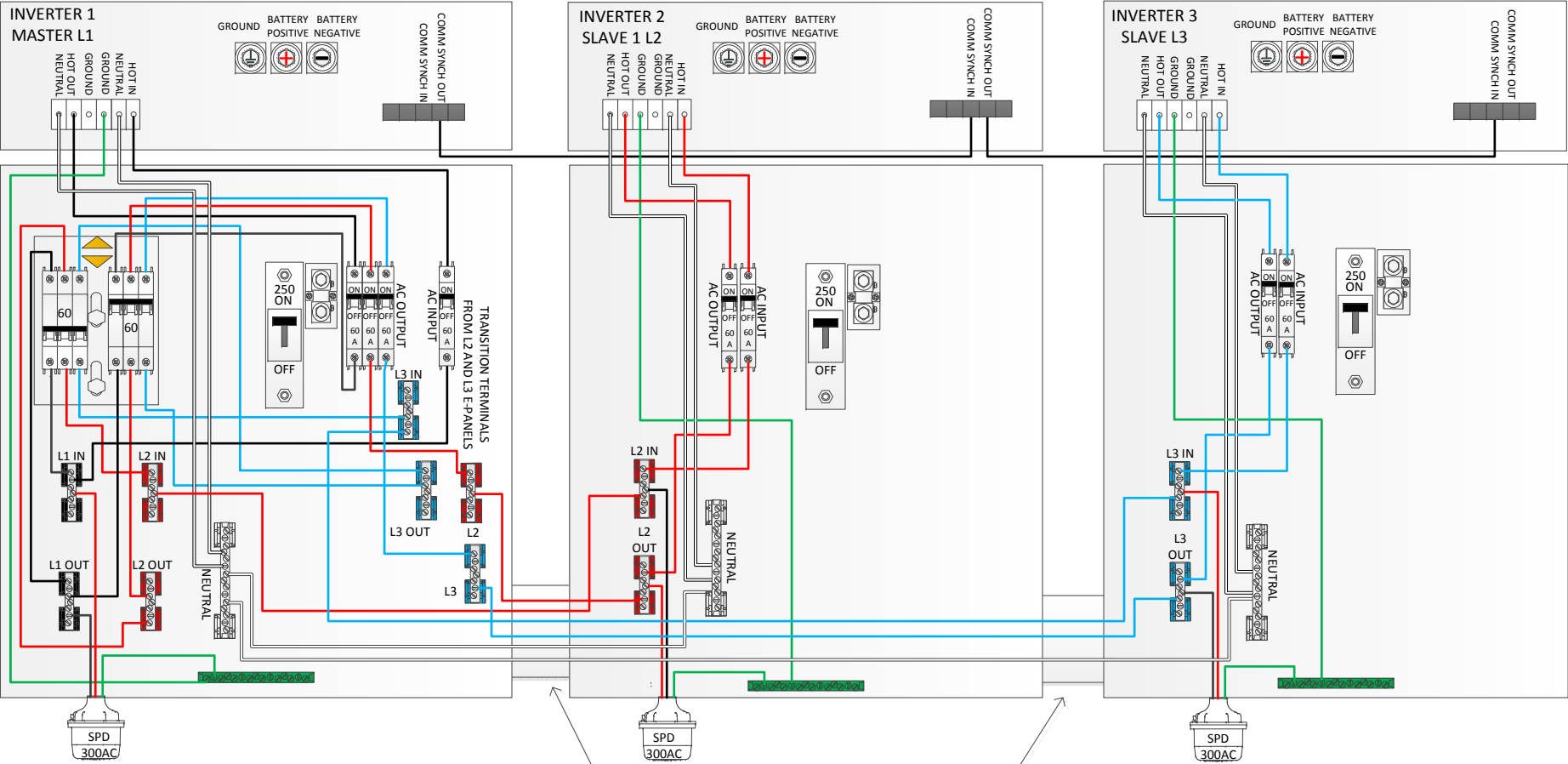


# SMA 3 PHASE WITH BATTERY COMBINER / DISTRIBUTION BOX AC WIRING REV B-10/25/17

## ALL WIRING #6

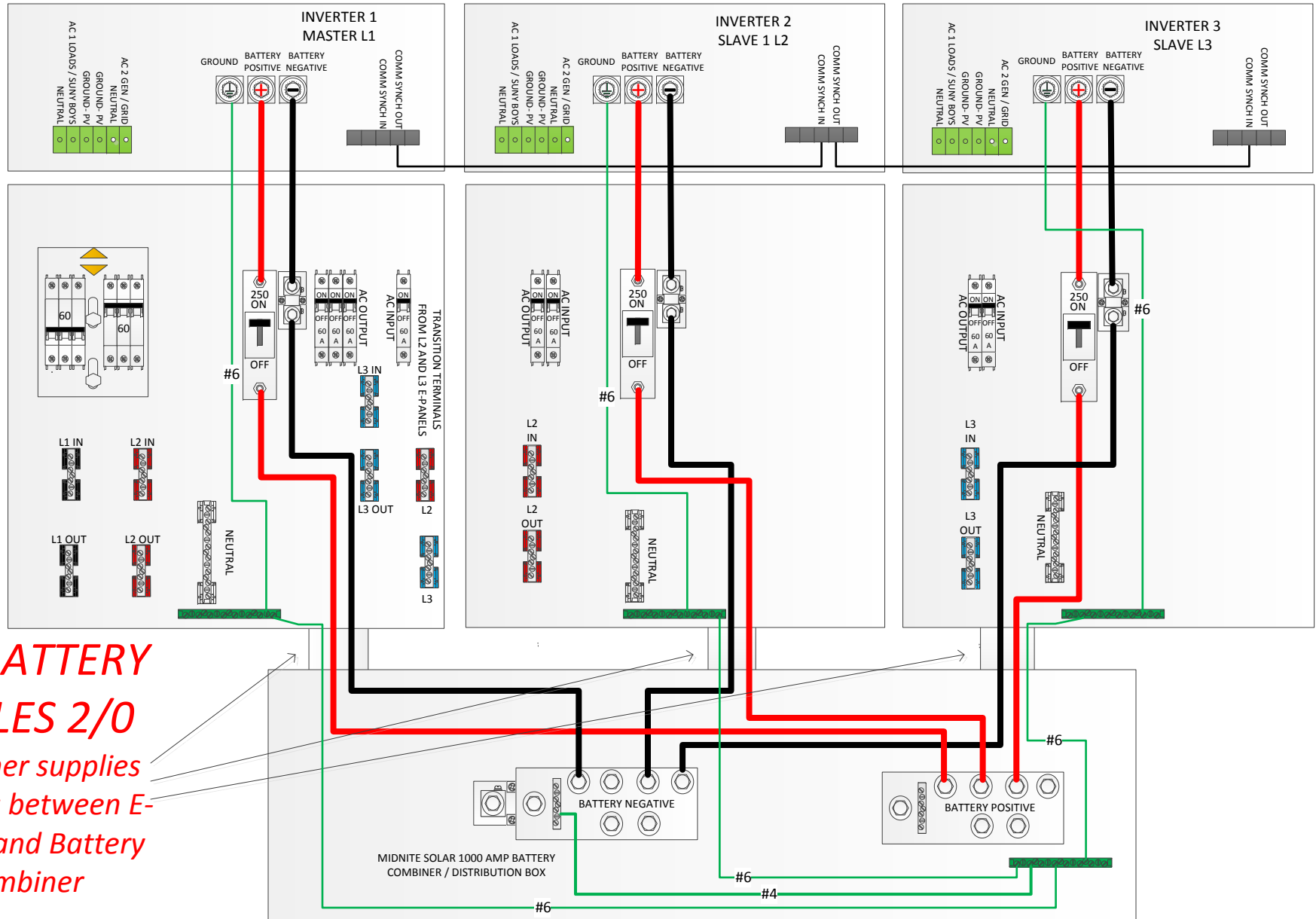
NOTE: COMMUNICATIONS CABLES SHOWN  
AT TOP OF E-PANEL FOR CLARITY



Interconnection Conduits with Male  
adapters, locknuts and bushings  
supplied by MidNite Solar

# SMA 3 PHASE WITH BATTERY COMBINER / DISTRIBUTION BOX DC WIRING REV-B-10/25/17

NOTE: COMMUNICATIONS CABLES SHOWN  
AT TOP OF E-PANEL FOR CLARITY



**ALL BATTERY  
CABLES 2/0**  
Customer supplies  
conduits between E-  
Panels and Battery  
combiner