

## Side-of-Pole Mounts

Maximum Strength  
Single Pole PV Mounting System

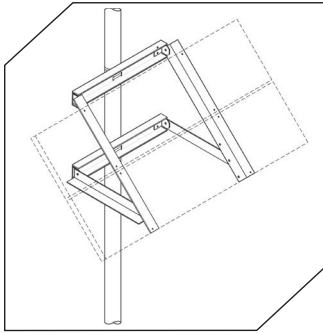


-  COMMUNICATIONS
-  ENERGY
-  SPECIAL INDUSTRIES
-  SOLAR

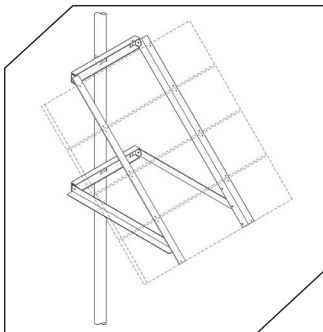




One Module Mount



Two Module Mounts



Four Module Mounts

## Side-of-Pole (SPM) PV Mounting System

The SPM is designed to install quickly and provide a secure mounting structure for PV modules on a single pole. The module-specific design reduces the number of components and provides for an easy assembly. The SPM utilizes high strength aluminum components and corrosion resistant hardware for long term reliability. Seasonal adjustability for maximizing production is provided by several tilt-angle settings and is a one person operation.

### Maximum Strength – Durable Design

- Standard mounts designed to withstand 90 MPH wind zones
- TIG welded aluminum pole channels
- 6000 series structural aluminum mounting rails
- Stainless Steel module mounting hardware
- Zinc plated rack assembly hardware
- High strength stainless steel band clamps

### Application Flexibility

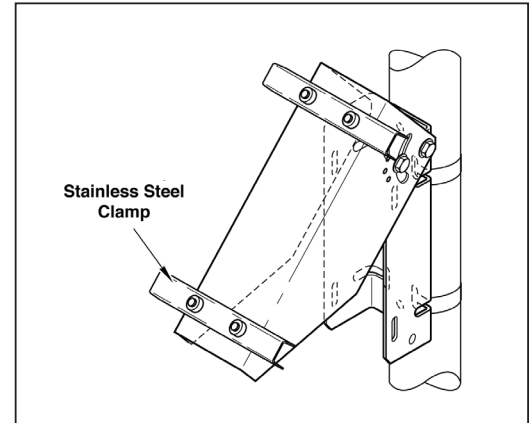
- Several sizes available from 1 through 4 modules
- Installs around standard 2-4.5" OD pipe (Installer Supplied)
- 30° to 60° tilt angle settings (full range)
- Mount up to 840W on a single pole

### Ease of Assembly – Reduced Labor Costs

- Module Specific Design reduces number of parts and labor
- No measuring required
- Factory set module hole placement locations create uniform spacing
- Easy access bottom flange module attachment

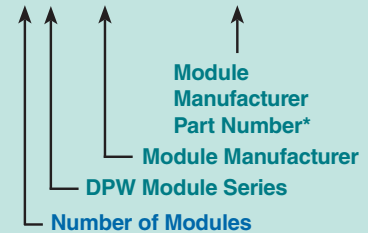
### Key Benefits

- Maximum Strength and Durability
- Module-Specific Design – Less Parts
- Ease of Assembly
- Single Ground Penetration
- Seasonal Elevation Adjustment



### Ordering Guideline

**SPM4-D-SHARP-NE170UC1**



\*Important: Include complete module part # as listed on module manufacturer's specification sheet

### Options / Upgrades

- High Wind Version – 130 MPH Exposure C
- Anodized or Powder Coated Finish on aluminum components
- Stainless Steel Rack Assembly Hardware Package
- Tamper-Resistant Module Mounting Hardware Package
- Stainless Steel Band Clamp size upgrades



2716 Vassar Place NE  
Albuquerque, New Mexico 87107  
USA

Telephone: 800.260.3792  
Fax: 505.889.3548  
Web Site: [www.DPWSolar.com](http://www.DPWSolar.com)  
E-mail: [info@DPWSolar.com](mailto:info@DPWSolar.com)

© 2014 Preformed Line Products  
Printed in U.S.A.  
SL-SS-1088-3  
08.14.2.5C