



SUNFRAME MICRORAIL NORTH ROW EXTENSION

INSTALLATION GUIDE

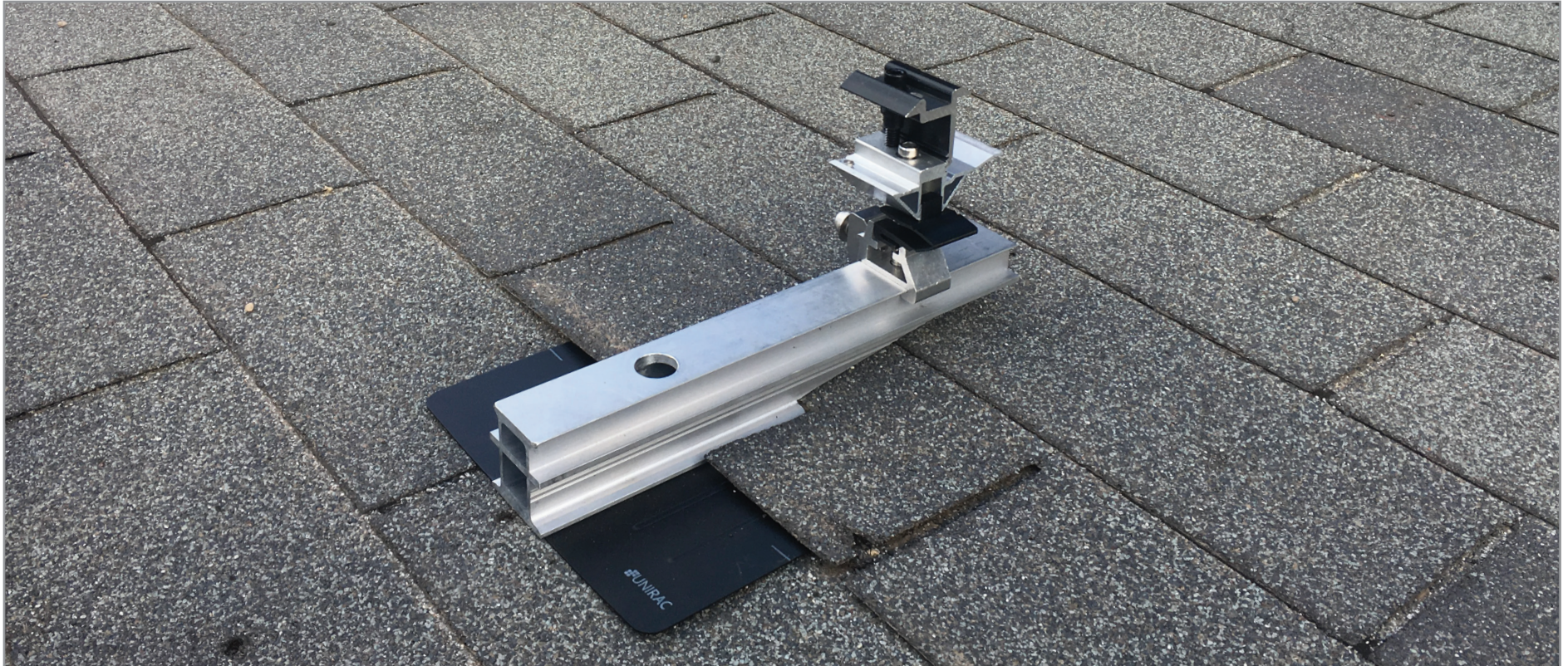


TABLE OF CONTENTS:

Tools & Assembly Details	1
Quick Steps for Installation	2



TOOLS REQUIRED OR RECOMMENDED FOR LAYOUT & INSTALLATION:

- TAPE MEASURE
- CHALK LINE
- ROOFING CRAYON
- HAMMER
- COMPATIBLE SEALANT AND DISPENSER
- DRILL WITH 1/8" BIT (FOR GRK AND OR UNIRAC CUSTOM STRUCTURAL SCREW)
- DRILL WITH 7/32" BIT FOR LAG BOLT
- 1/4" HEX DRIVER FOR UNIRAC CUSTOM STRUCTURAL SCREW
- 6 POINT STAR DRIVE BIT FOR GRK FASTENER
- 1/2" SOCKET FOR LAG BOLT

FLASHKIT SFM NRE COMPONENTS:

1. FASTENER OPTIONS:

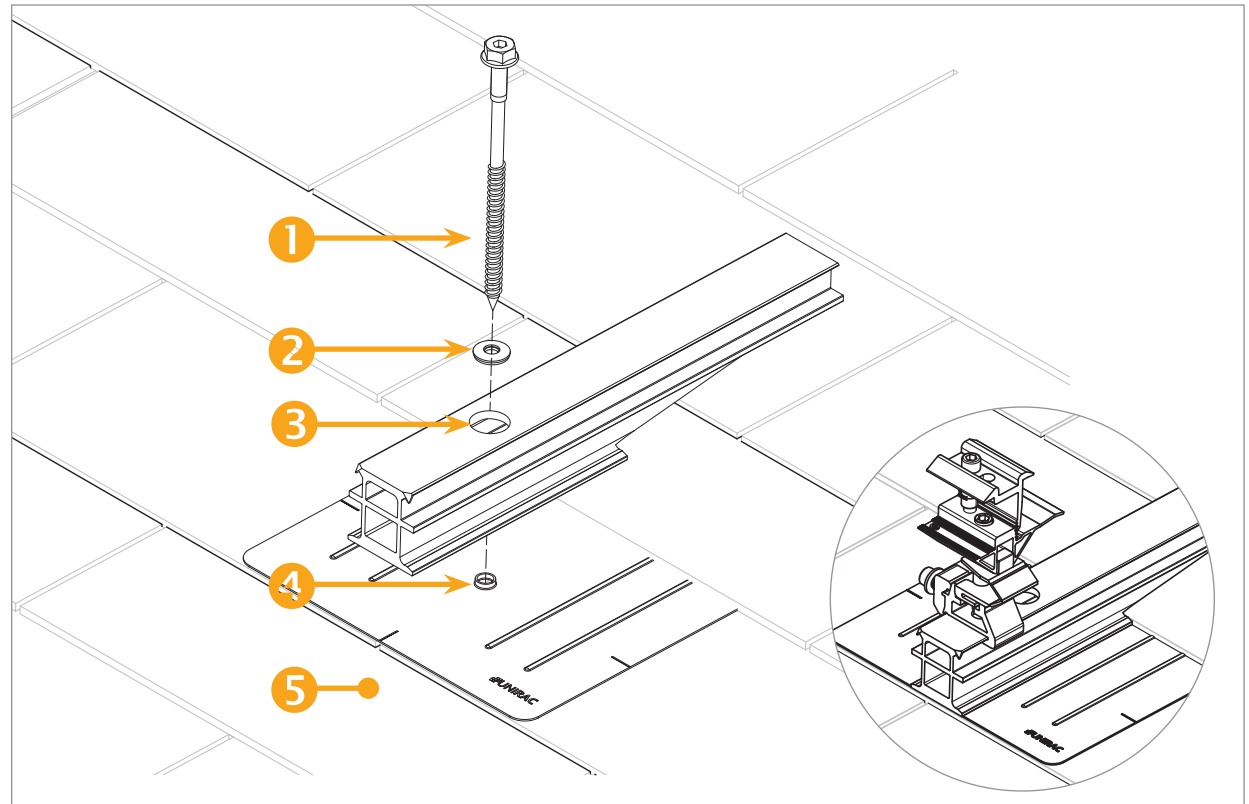
- UNIRAC CUSTOM STRUCTURAL SCREW, 5/16"
- 5/16" LAG BOLT
- 5/16" GRK STRUCTURAL SCREW

2. 5/16" ID EPDM SEALING WASHER

3. SFM NORTH ROW EXTENSION SLIDER

4. UNIRAC FLASHING

5. COMP SHINGLE ROOF



INSTALLATION NOTES:

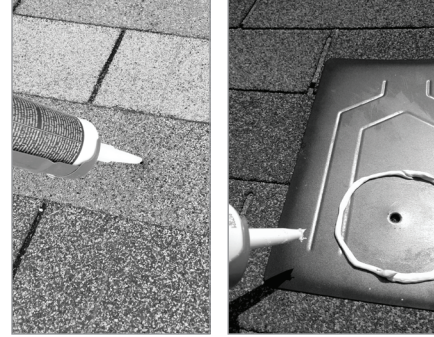
- It is not necessary or advisable to use nails or other fasteners to secure the perimeter of the flashing.
- The SFM NRE FLASHKIT is made to work with standard and high-definition composition/asphalt and wood shingle roofs with 5" to 5-5/8" courses.
- Mounts should not be installed in areas of the roof susceptible to ice damming. Ponding water can travel upward under shingles and reach the bolt penetration.
- Fastener length specification and capacity verification are the responsibility of the installer.
- When using Unirac custom structural screws, it is not required to drill pilot holes before driving in the fastener.
- Standard 5/16" lag bolts or GRK 5/16" structural screws can be used in place of structural screws if required.



PREPARING SHINGLES: Use roofing bar to break seals between 1st and 2nd, and 2nd and 3rd shingle courses. Be sure to remove all nails to allow correct placement of flashing. See SFM installation guide for proper flashing placement.



DRILL PILOT HOLES: Holding the drill square to the rafter, drill 3" deep pilot hole into center of rafter using 1/8" aircraft extension bit for 5/16" GRK or Unirac Custom Structural Screw, or 7/32" aircraft extension bit for 5/16" lag.



ROOF SEALANT: Fill pilot hole with appropriate sealant.
OPTIONAL: Apply a circle shaped bead of sealant around the attachment hardware hole of the flashing before insertion. Do not use excessive sealant.



POSITION FLASHING: Slide the flashing up underneath the 2nd course of shingles, so that the bottom edge of the flashing does not overhang the downslope edge of the 1st course of shingles.



TRIM SHINGLE: Trim second course of shingles around NRE slider.



PLACE SLIDER: Place slider with assembly over the flashing flute, ensuring that the slider sits flat on the flashing surface.



INSTALL FASTENER & TIGHTEN: Install fastener with sealing washer. Swivel the slider to gauge proper torque when driving the fastener. Tighten until slider stops swiveling easily.



COMPLETE FLASHING INSTALLATION: Repeat previous steps to install all mounts.