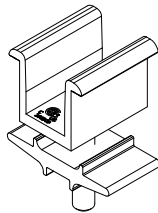
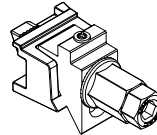


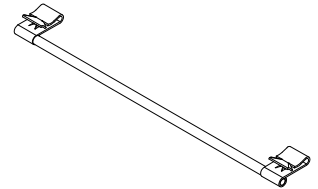
MLPE MOUNTING ASSEMBLY
SEE PAGE SFM-A11



N/S BONDING CLAMP
SEE PAGE SFM-A12



TRIM BONDING CLAMP
SEE PAGE SFM-A12



WIRE BONDING CLIP
SEE PAGE SFM-A12



1411 BROADWAY BLVD. NE
ALBUQUERQUE, NM 87102 USA
PHONE: 505.242.6411
WWW.UNIRAC.COM

| | |
|----------------|----------------|
| PRODUCT LINE: | SFM INFINITY |
| DRAWING TYPE: | ASSEMBLY |
| DESCRIPTION: | LAYOUT EXAMPLE |
| REVISION DATE: | 4/22/2019 |

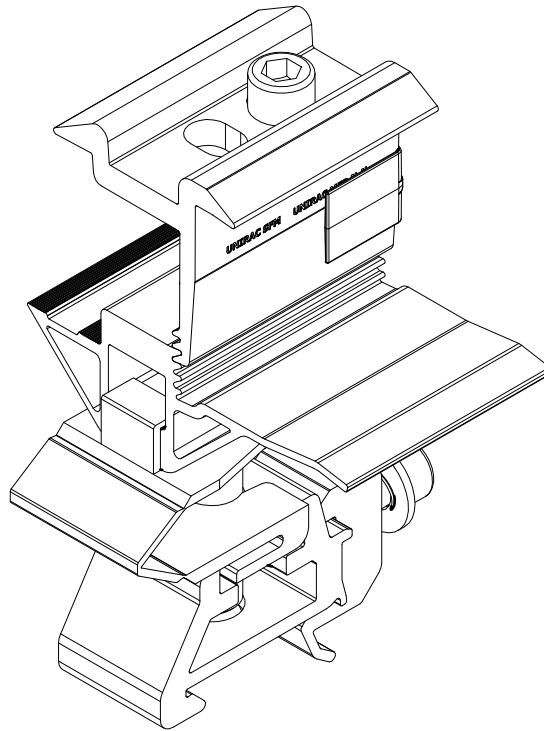
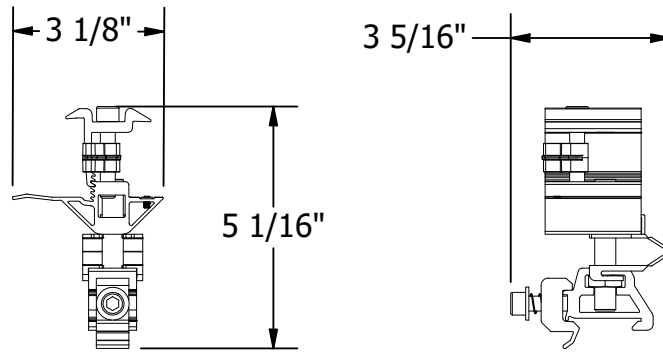
DRAWING NOT TO SCALE
ALL DIMENSIONS ARE
NOMINAL

PRODUCT PROTECTED BY
ONE OR MORE US PATENTS
LEGAL NOTICE

SFM-A01

SHEET

| PART # TABLE | |
|--------------|------------------|
| P/N | DESCRIPTION |
| 250020U | SFM MICRORAIL 2" |



SFM MICRORAIL 2"



1411 BROADWAY BLVD. NE
ALBUQUERQUE, NM 87102 USA
PHONE: 505.242.6411
WWW.UNIRAC.COM

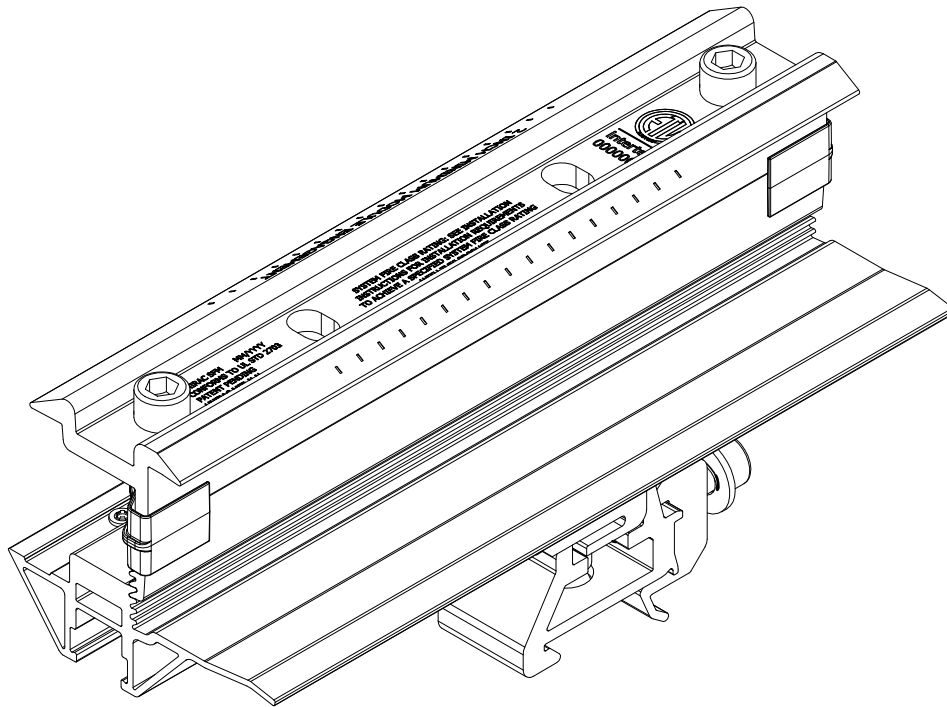
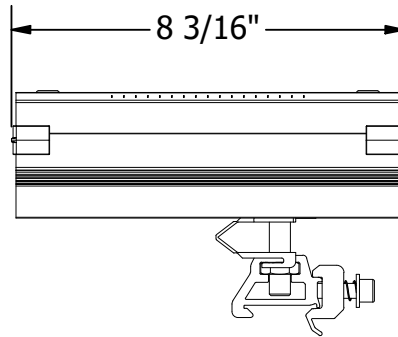
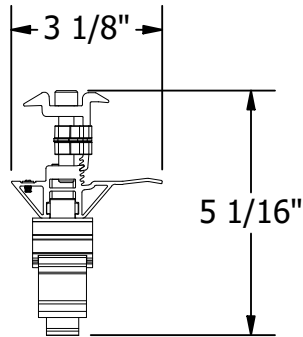
| | |
|----------------|----------------|
| PRODUCT LINE: | SFM INFINITY |
| DRAWING TYPE: | PARTS ASSEMBLY |
| DESCRIPTION: | MICRORAIL 2" |
| REVISION DATE: | 4/22/2019 |

DRAWING NOT TO SCALE
ALL DIMENSIONS ARE
NOMINAL

PRODUCT PROTECTED BY
ONE OR MORE US PATENTS
LEGAL NOTICE

SFM-A02
SHEET

| PART # TABLE | |
|--------------|------------------------|
| P/N | DESCRIPTION |
| 250030U | SFM ATTACHED SPLICE 8" |



SFM ATTACHED SPLICE 8"



1411 BROADWAY BLVD. NE
ALBUQUERQUE, NM 87102 USA
PHONE: 505.242.6411
WWW.UNIRAC.COM

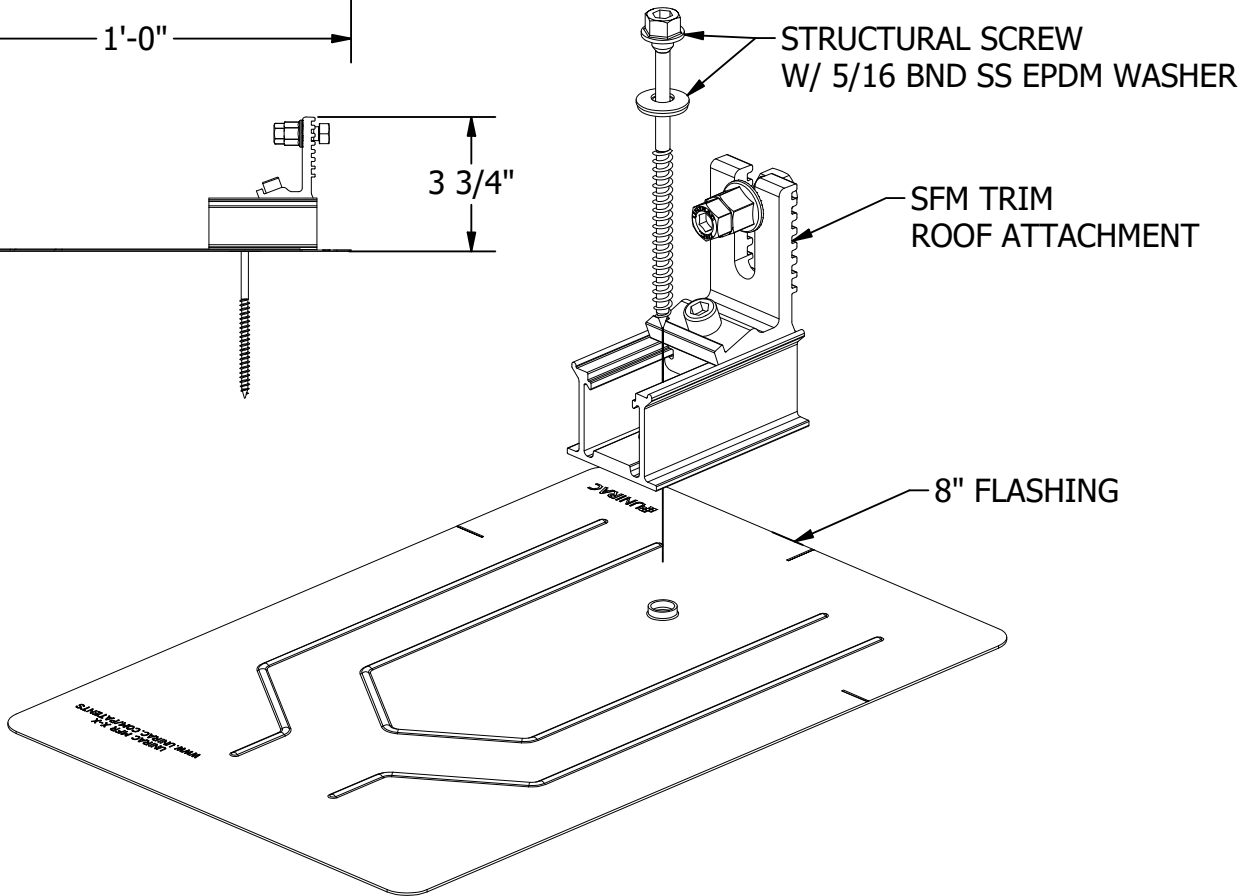
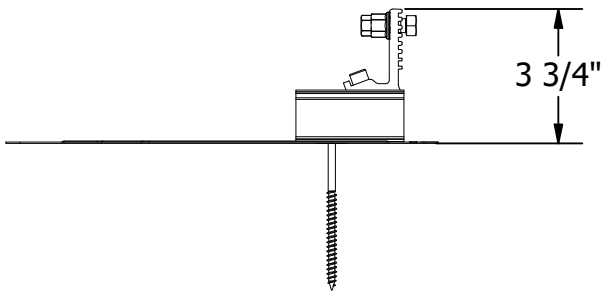
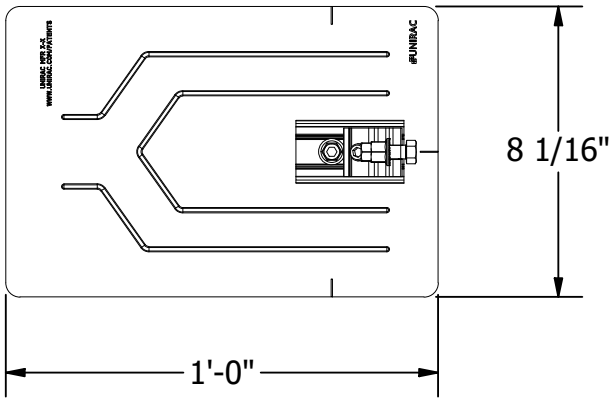
| | |
|----------------|----------------|
| PRODUCT LINE: | SFM INFINITY |
| DRAWING TYPE: | PARTS ASSEMBLY |
| DESCRIPTION: | ATT SPLICE 8" |
| REVISION DATE: | 4/22/2019 |

DRAWING NOT TO SCALE
ALL DIMENSIONS ARE
NOMINAL

PRODUCT PROTECTED BY
ONE OR MORE US PATENTS
LEGAL NOTICE

SFM-A03
SHEET

| PART # TABLE | |
|--------------|-----------------------------|
| P/N | DESCRIPTION |
| 004200D | FLASHKIT SFM TRIM COMP DARK |



FLASHKIT SFM TRIM



1411 BROADWAY BLVD. NE
ALBUQUERQUE, NM 87102 USA
PHONE: 505.242.6411
WWW.UNIRAC.COM

| | |
|----------------|----------------|
| PRODUCT LINE: | SFM INFINITY |
| DRAWING TYPE: | PARTS ASSEMBLY |
| DESCRIPTION: | FLASHKIT TRIM |
| REVISION DATE: | 4/22/2019 |

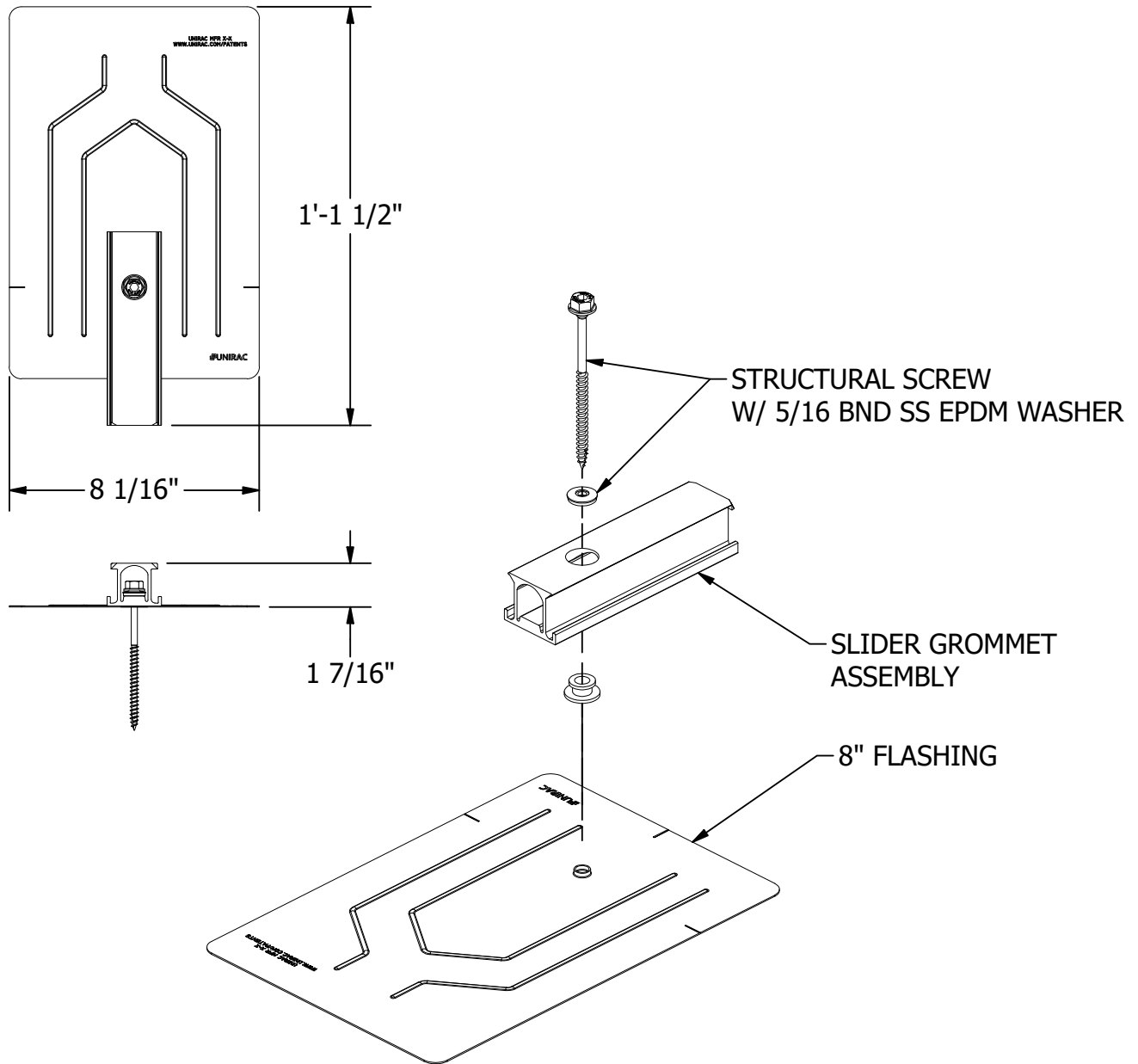
DRAWING NOT TO SCALE
ALL DIMENSIONS ARE
NOMINAL

PRODUCT PROTECTED BY
ONE OR MORE US PATENTS
LEGAL NOTICE

SFM-A04

SHEET

| PART # TABLE | |
|--------------|-------------------------------|
| P/N | DESCRIPTION |
| 004270D | FLASHKIT SFM SLIDER COMP DARK |



FLASHKIT SFM SLIDER



1411 BROADWAY BLVD. NE
ALBUQUERQUE, NM 87102 USA
PHONE: 505.242.6411
WWW.UNIRAC.COM

| | |
|----------------|-----------------|
| PRODUCT LINE: | SFM INFINITY |
| DRAWING TYPE: | PARTS ASSEMBLY |
| DESCRIPTION: | FLASHKIT SLIDER |
| REVISION DATE: | 4/22/2019 |

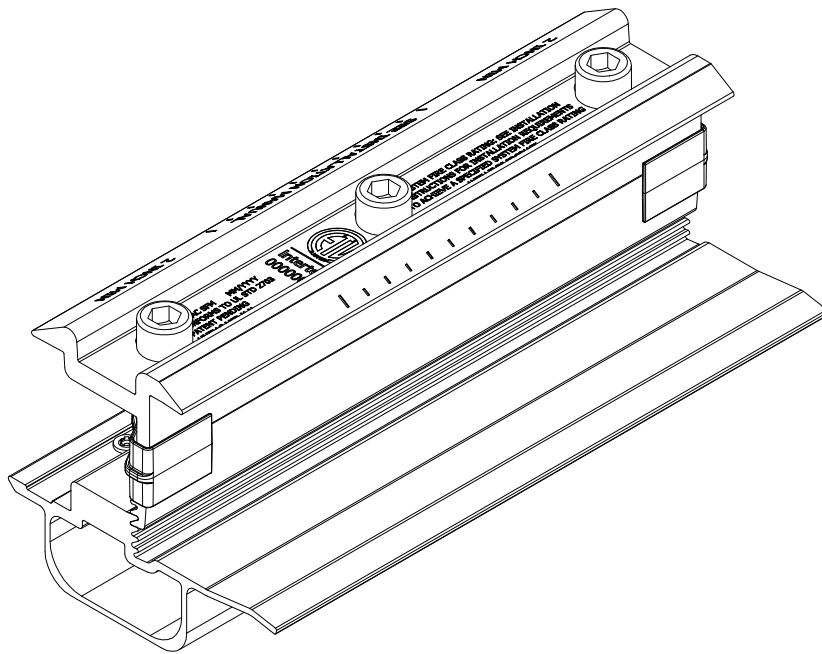
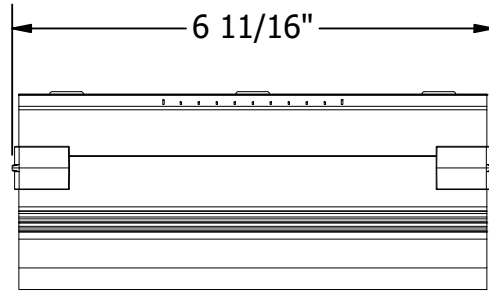
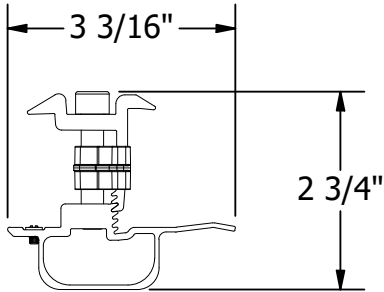
DRAWING NOT TO SCALE
ALL DIMENSIONS ARE
NOMINAL

PRODUCT PROTECTED BY
ONE OR MORE US PATENTS
LEGAL NOTICE

SFM-A05

SHEET

| PART # TABLE | |
|--------------|-----------------|
| P/N | DESCRIPTION |
| 250010U | SFM SPLICE 6.5" |



SFM SPLICE 6.5"



1411 BROADWAY BLVD. NE
 ALBUQUERQUE, NM 87102 USA
 PHONE: 505.242.6411
 WWW.UNIRAC.COM

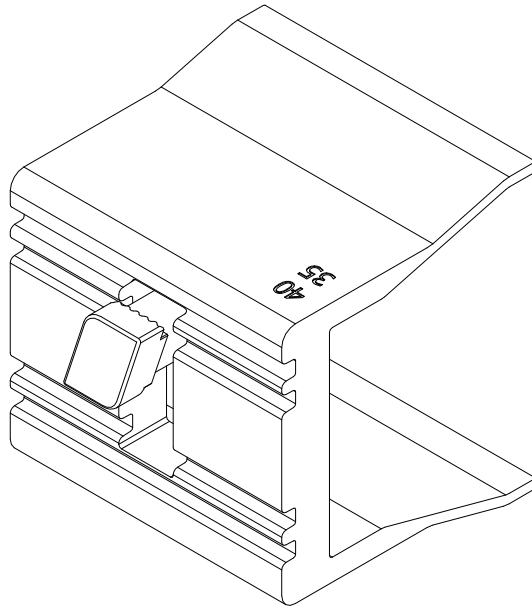
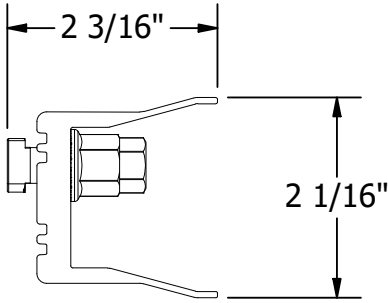
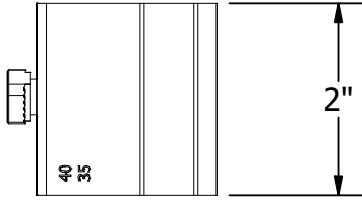
| | |
|----------------|----------------|
| PRODUCT LINE: | SFM INFINITY |
| DRAWING TYPE: | PARTS ASSEMBLY |
| DESCRIPTION: | SPLICE 6.5" |
| REVISION DATE: | 4/22/2019 |

DRAWING NOT TO SCALE
 ALL DIMENSIONS ARE
 NOMINAL

PRODUCT PROTECTED BY
 ONE OR MORE US PATENTS
 LEGAL NOTICE

SFM-A06
 SHEET

| PART # TABLE | |
|--------------|-----------------------------|
| P/N | DESCRIPTION |
| 250110U | SFM UNIV TRIMRAIL CLIP DARK |



UNIV TRIMRAIL CLIP



1411 BROADWAY BLVD. NE
 ALBUQUERQUE, NM 87102 USA
 PHONE: 505.242.6411
 WWW.UNIRAC.COM

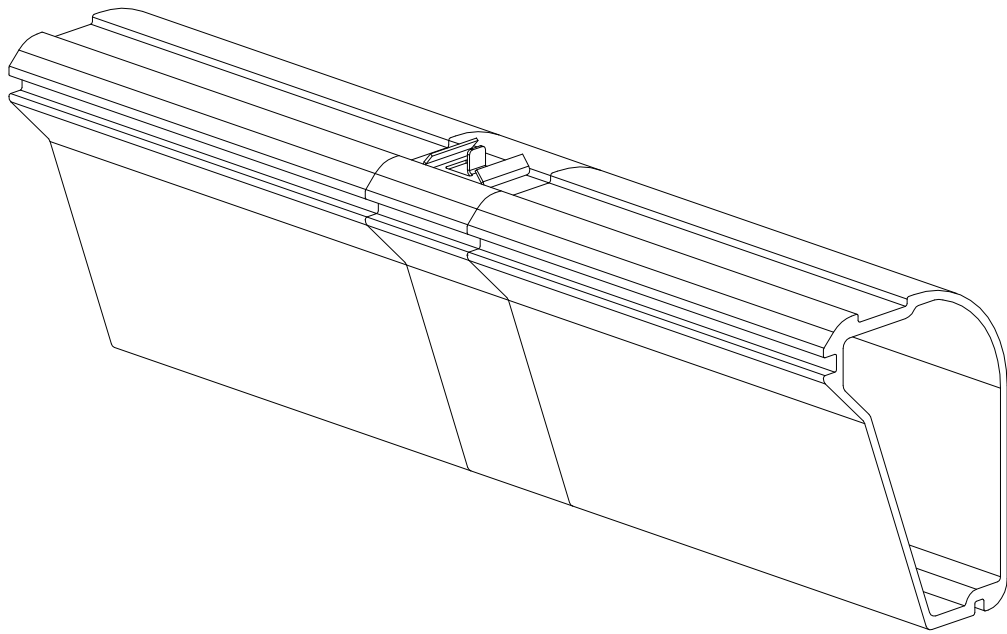
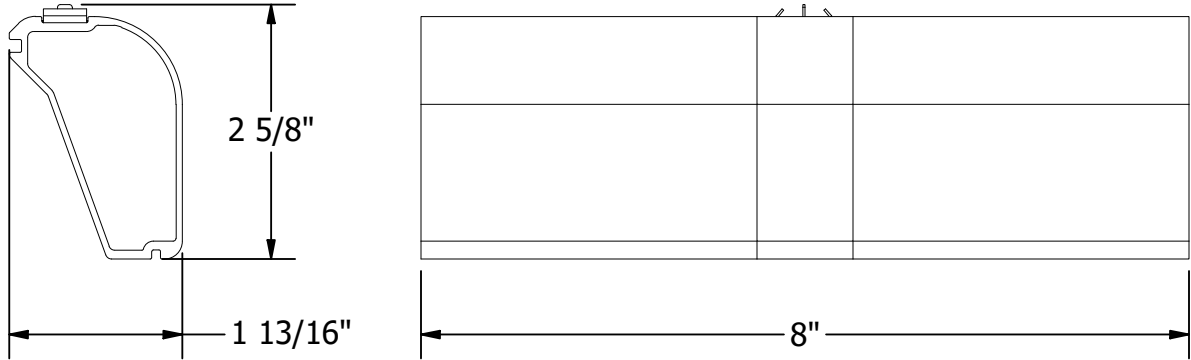
| | |
|----------------|--------------------|
| PRODUCT LINE: | SFM INFINITY |
| DRAWING TYPE: | PARTS ASSEMBLY |
| DESCRIPTION: | UNIV TRIMRAIL CLIP |
| REVISION DATE: | 4/22/2019 |

DRAWING NOT TO SCALE
 ALL DIMENSIONS ARE
 NOMINAL

PRODUCT PROTECTED BY
 ONE OR MORE US PATENTS
 LEGAL NOTICE

SFM-A09
 SHEET

| PART # TABLE | |
|--------------|-------------------------------|
| P/N | DESCRIPTION |
| 250120U | SFM TRIM SPLICE ASSEMBLY DARK |



SFM TRIMRAIL SPLICE



1411 BROADWAY BLVD. NE
 ALBUQUERQUE, NM 87102 USA
 PHONE: 505.242.6411
 WWW.UNIRAC.COM

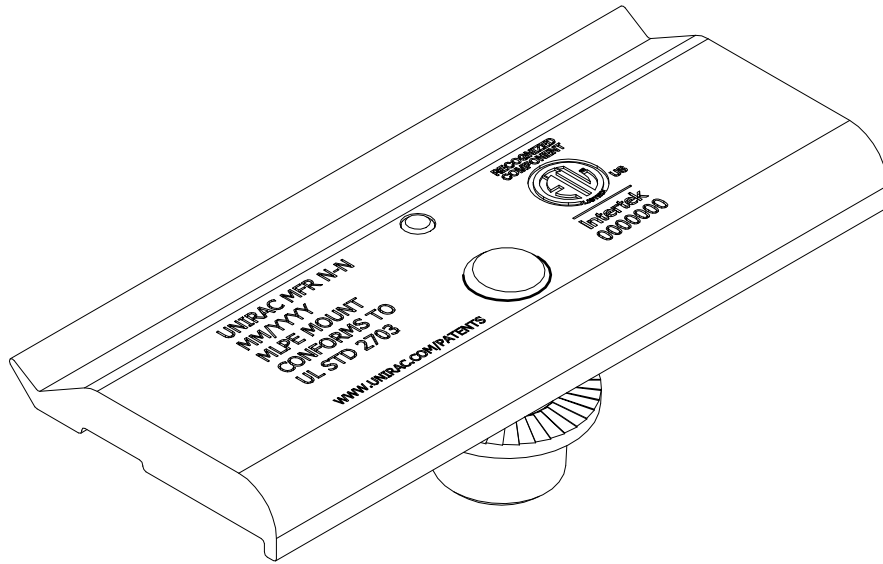
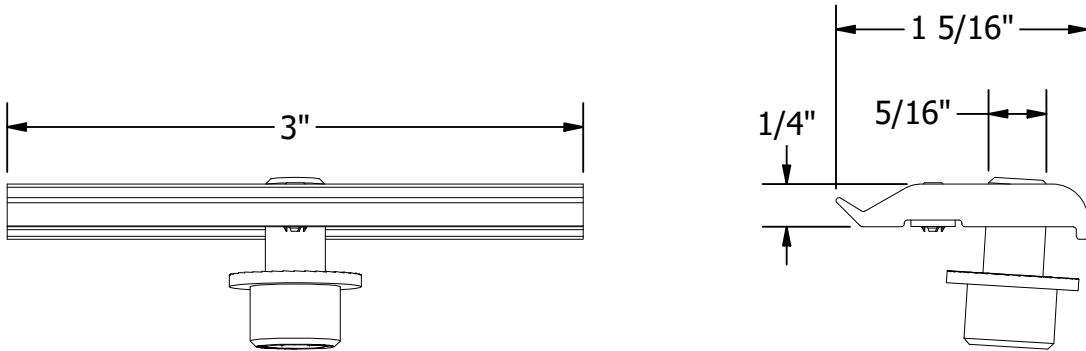
| | |
|----------------|-----------------|
| PRODUCT LINE: | SFM INFINITY |
| DRAWING TYPE: | PARTS ASSEMBLY |
| DESCRIPTION: | TRIMRAIL SPLICE |
| REVISION DATE: | 4/22/2019 |

DRAWING NOT TO SCALE
 ALL DIMENSIONS ARE
 NOMINAL

PRODUCT PROTECTED BY
 ONE OR MORE US PATENTS
 LEGAL NOTICE

SFM-A10
 SHEET

| PART # TABLE | |
|--------------|-------------------|
| P/N | DESCRIPTION |
| 008114M | SFM MLPE MOUNT 3" |



MLPE MOUNT 3"



1411 BROADWAY BLVD. NE
 ALBUQUERQUE, NM 87102 USA
 PHONE: 505.242.6411
 WWW.UNIRAC.COM

| | |
|----------------|----------------|
| PRODUCT LINE: | SFM INFINITY |
| DRAWING TYPE: | PARTS ASSEMBLY |
| DESCRIPTION: | MLPE MOUNT 3" |
| REVISION DATE: | 4/22/2019 |

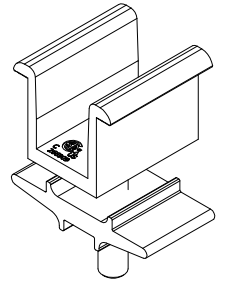
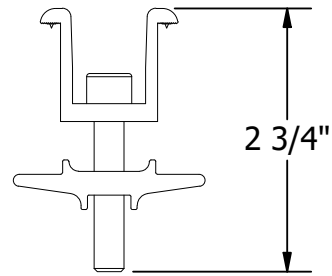
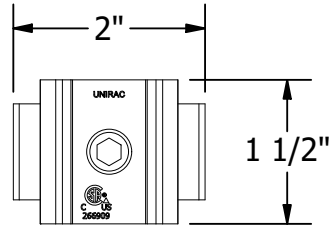
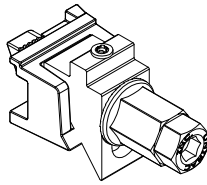
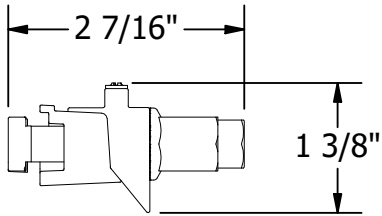
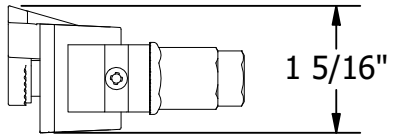
DRAWING NOT TO SCALE
 ALL DIMENSIONS ARE
 NOMINAL

PRODUCT PROTECTED BY
 ONE OR MORE US PATENTS

LEGAL NOTICE

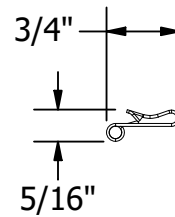
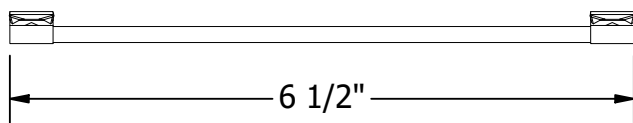
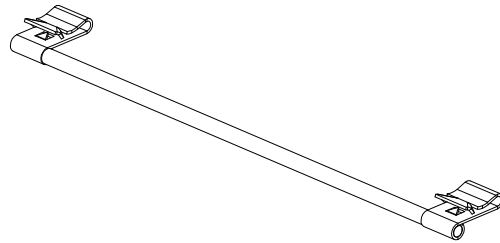
SFM-A11
 SHEET

| PART # TABLE | |
|--------------|------------------------|
| P/N | DESCRIPTION |
| 008000U | SFM N/S BONDING CLAMP |
| 008015S | SFM WIRE BONDING CLIP |
| 008100U | SFM TRIM BONDING CLAMP |



TRIM BONDING CLAMP

N/S BONDING CLAMP



WIRE BONDING CLIP



1411 BROADWAY BLVD. NE
ALBUQUERQUE, NM 87102 USA
PHONE: 505.242.6411
WWW.UNIRAC.COM

| | |
|----------------|--------------------|
| PRODUCT LINE: | SFM INFINITY |
| DRAWING TYPE: | PARTS ASSEMBLY |
| DESCRIPTION: | BONDING ASSEMBLIES |
| REVISION DATE: | 4/22/2019 |

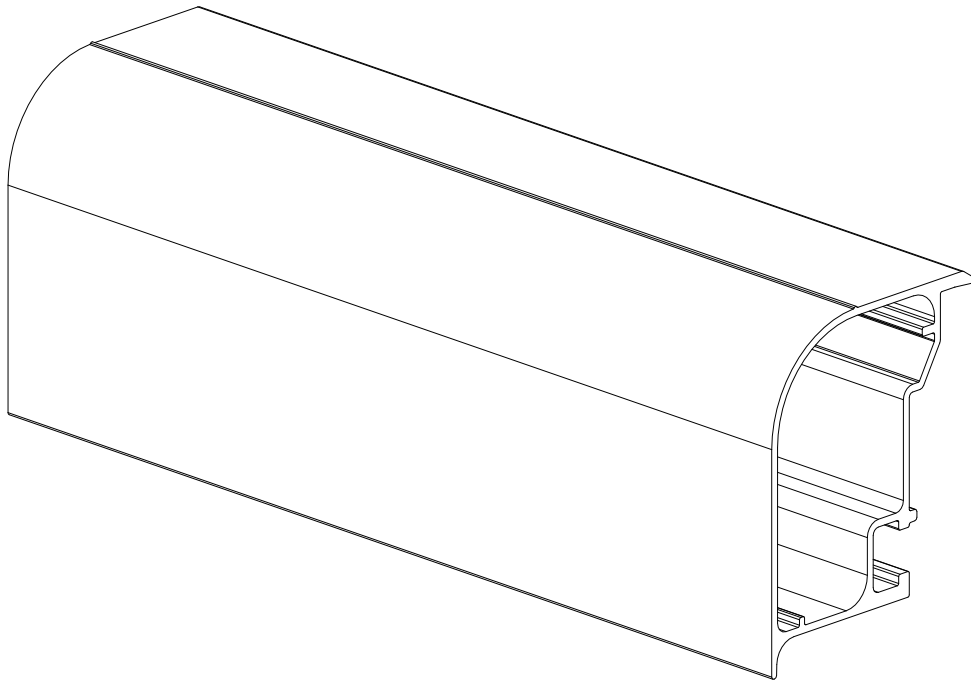
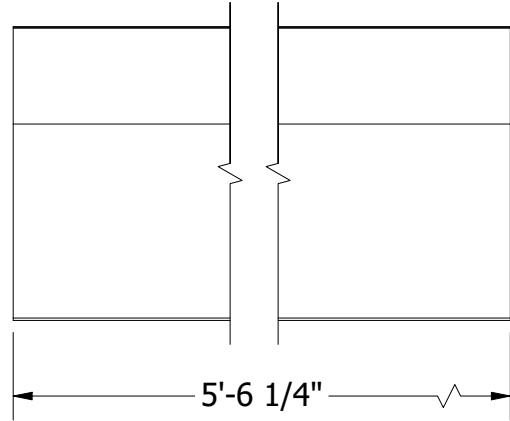
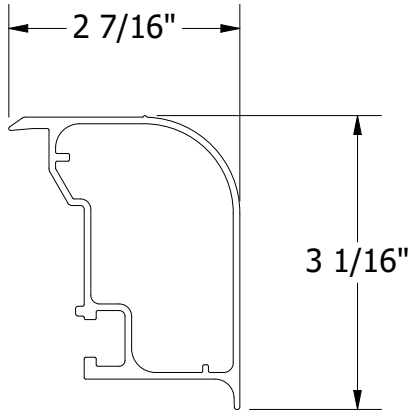
DRAWING NOT TO SCALE
ALL DIMENSIONS ARE
NOMINAL

PRODUCT PROTECTED BY
ONE OR MORE US PATENTS
LEGAL NOTICE

SFM-A12

SHEET

| PART # TABLE | |
|--------------|------------------------|
| P/N | DESCRIPTION |
| 256625U | SFM TRIMRAIL UNIV DARK |



SFM TRIMRAIL UNIV



1411 BROADWAY BLVD. NE
 ALBUQUERQUE, NM 87102 USA
 PHONE: 505.242.6411
 WWW.UNIRAC.COM

| | |
|----------------|---------------|
| PRODUCT LINE: | SFM INFINITY |
| DRAWING TYPE: | PART |
| DESCRIPTION: | TRIMRAIL UNIV |
| REVISION DATE: | 1/29/2020 |

DRAWING NOT TO SCALE
 ALL DIMENSIONS ARE
 NOMINAL

PRODUCT PROTECTED BY
 ONE OR MORE US PATENTS
 LEGAL NOTICE

SFM-P01
 SHEET