

EXPANDABLE DC POWER SUPPLY
230V AC INPUT



N+1 DC Power System

with Battery Backup / Charging Function

MODELS : **SEC-40BRM-220**
 SEC-60BRM-220
 SEC-80BRM-220
 SEC-100BRM-220

INSTALLATION & OPERATING MANUAL

Please read this manual before operating your power supply.



- PROVIDES N + 1 REDUNDANCY
- ALLOWS CONNECTION OF EXTERNAL BATTERIES FOR BACKUP
- EXPAND OUTPUT POWER BY ADDING POWER MODULES
- UP TO 100 AMPS CONTINUOUS POWER
- VOLT / AMPERE METER
- OPERATION STATUS L.E.D.
- FAN FAILURE ALARM AND WARNING L.E.D.
- REMOTE MONITORING AND INDICATION
- 19" RACK MOUNT
- 2 YEAR WARRANTY / TOLL FREE TECHNICAL SUPPORT

TABLE OF CONTENTS

| Topic | Page |
|---------------------------------------|-------------|
| Important safety instructions | 1,2 |
| Description and application | 3 |
| Design and principle of operation | 3 |
| Cooling and warning for fan failure | 3 |
| Front panel controls and indicators | 4 |
| Rear panel controls | 4,5 |
| Protections | 5 |
| Installation and operation | 6 |
| Operation of battery back-up | 7 |
| Output voltage adjustment | 8,9 |
| Installation and removal of modules | 9,10 |
| Trouble shooting | 11,12 |
| Limiting electromagnetic interference | 13,14,15 |
| Specifications | 16 |
| Appendix : Figures 1 to 3 | 17,18 |
| Warranty information | 19 |
| Notes | 20 |

IMPORTANT SAFETY INSTRUCTIONS

Please read before using your power supply.

CAUTION !

ALL ELECTRICAL INSTALLATIONS MUST MEET LOCAL AND NATIONAL WIRING CODES AND SHOULD BE PERFORMED BY A QUALIFIED ELECTRICIAN.

OPERATION OF COOLING FAN

THE HEAT PRODUCED IS EXTRACTED BY FORCED AIR COOLING. IN CASE ANY OF THE FANS FAILS, LIGHT AND SOUND ALARMS WILL BE ACTIVATED. IMMEDIATELY **SWITCH OFF** THE POWER TO THE UNIT TO PREVENT DAMAGE DUE TO OVER HEATING

CONNECTION TO AC OUTLET

THE POWER SUPPLY SHOULD BE OPERATED ONLY FROM A STANDARD 2 POLE, 3 WIRE GROUNDING RECEPTACLE.

DO NOT CONNECT TO A 2 POLE, 2 WIRE RECEPTACLE THAT HAS NO GROUNDING.

REPLACEMENT OF POWER CORD PLUG

THE POWER CORD IS PROVIDED WITH A MOULDED, STANDARD EUROPEAN 2 POLE, 3 WIRE GROUNDING PLUG ("SCHUKO"—250V, 16A), THE PLUG MAY BE REPLACED TO SUIT A DIFFERENT SUITABLE RECEPTACLE.

CAUTION ! REPLACEMENT SHOULD BE DONE BY A QUALIFIED ELECTRICIAN. PLEASE ENSURE PROPER POLARITY OF THE CONNECTIONS AS FOLLOWS :

| | |
|----------------------|---------------------------------|
| " L " LINE | BROWN |
| " N " NEUTRAL | BLUE |
| EARTH GROUND | GREEN WITH YELLOW STRIPE |

DO NOT USE EXTENSION CORD UNLESS ABSOLUTELY NECESSARY. IF AN EXTENSION CORD MUST BE USED , MAKE SURE :

1. THE PINS ON THE EXTENSION CORD'S PLUG ARE OF THE SAME NUMBER, SIZE AND SHAPE AS THOSE OF THE PLUG OF THE POWER SUPPLY CORD. NEVER USE AN EXTENSION CORD THAT HAS NO GROUNDING CONNECTION
2. THE EXTENSION CORD SHOULD BE RATED FOR 250 V, 16A.

LOAD AND BATTERY CONNECTIONS

THE LOAD & BATTERY TERMINALS ON THE POWER SUPPLY HAVE A TUBULAR HOLE OF DIAMETER 8mm (0.31") WITH A SET SCREW.

ALWAYS ENSURE THAT THE CONNECTIONS ARE SECURE AND THE SCREWS ARE TIGHTENED PROPERLY.

LOOSELY TIGHTENED CONNECTIONS RESULT IN EXCESSIVE VOLTAGE DROP AND MAY CAUSE OVERHEATED WIRES AND MELTED INSULATION.

THE ENDS OF THE CABLES TO BE CONNECTED TO THE LOAD AND BATTERY TERMINALS ON THE POWER SUPPLY SHOULD HAVE PIN TYPE OF CONNECTOR FOR MAKING A FIRM CONNECTION. **4 PIECES OF PIN TYPE CONNECTORS ARE ENCLOSED WITH THE POWER SUPPLY. CRIMP THESE TO THE ENDS OF THE CABLES.**

USE MULTI STRANDED WELDING TYPE CABLE OR BATTERY CABLE (NEOPRENE SYNTHETIC INSULATION, 90°C). USE PROPER SIZE OF CABLE, AS INDICATED BELOW, TO CONNECT ANY DEVICE TO THE POWER SUPPLY. THESE CABLE SIZES ARE VALID WHEN THE DEVICE IS WITHIN 6 FT. DISTANCE FROM THE POWER SUPPLY. **THICKER WIRING WILL BE REQUIRED FOR LONGER DISTANCES. THINNER WIRES WILL CAUSE OVERHEATING AND EXCESSIVE VOLTAGE DROP :**

| | | |
|-------------------------|------------|--------------------|
| SEC-100BRM-220 | 100 A | # 2 AWG UP TO |
| SEC-80BRM-220 | 80 A | # 4 AWG 6' |
| SEC-60BRM/SEC-40BRM-220 | UP TO 60 A | # 6 AWG DISTANCE |

ENSURE THAT THE AC POWER IS SWITCHED OFF WHEN ANY DEVICE IS BEING CONNECTED TO THE POWER SUPPLY.

DO NOT ALLOW THE ENDS OF THE POSITIVE AND NEGATIVE WIRES TO TOUCH EACH OTHER.

FUSE REPLACEMENT

ENSURE PROPERLY RATED FUSE (250 V, 4A) IS USED IN EACH OF THE MODULES.

ENVIRONMENT

DO NOT EXPOSE POWER SUPPLY TO RAIN, SNOW OR WATER SPRAY

DIS-ASSEMBLY AND REPAIR

THE POWER SUPPLY SHOULD BE DISASSEMBLED OR REPAIRED BY A QUALIFIED TECHNICIAN. INCORRECT REASSEMBLY OR REPAIR MAY RESULT IN A RISK OF ELECTRIC SHOCK OR FIRE WHICH MAY RESULT IN PERSONAL INJURY AND PROPERTY DAMAGE.

DESCRIPTION

This is a 19 inch, 2U height (3.5") Rack Mount Power Supply which converts 230 V , 50/60 Hz. AC power into regulated 14.2 V DC , +/- 1% (At module output*) delivering up to a maximum of 100 A continuous (up to 115 A surge) with 5 Base Level PCB Modules. There is provision to connect the power supply to an external battery for backup power in the case of an AC power failure and re-charge the battery when AC power resumes.

*Voltage at output terminals Load+ & Load- will be 13.8V nominal (Please see page 7 for explanation.)

APPLICATIONS

The unit is designed for the following applications:

1. N+1 redundant systems
2. Future power level expansion
3. Uninterrupted DC output when used in conjunction with an external battery backup.

DESIGN AND PRINCIPLE OF OPERATION

The unit is designed using advanced switch-mode technology and active load share circuitry for high reliability, high efficiency and minimum size and weight. It is modular in construction consisting of up to 5 base level PCB modules (referred to as "PSM" – Power Supply Module) that are connected in parallel with true current sharing. Each PSM is a stand alone power supply which delivers up to a maximum of 20 A continuous. By equalizing the output currents, uniform thermal stress of the individual PSM is ensured which has utmost importance for long term reliability of electronic components. The operating principle of the current share mechanism is to measure the output current of each PSM and to be able to modify the output voltages of the PSMs until all the participating PSMs deliver equal output current. Typically, the output currents of the parallel PSMs will be within 10% of each other at full output current. One of the modules automatically assumes the role of a master and the others operate as slaves. Each PSM is required to be interconnected with one another to a common "SHARE BUS" through a pair of parallel pins marked "JUMP 1" and jumper wires (Fig. 1 and 2).

For proper operation of the current share control circuitry, a minimum load current is required to flow through each PSM to produce adequate feed back signal. This minimum pre-load current is provided by the sum of the currents drawn by the fans and by an internal static load resistor connected across the load output terminals. This internal pre-load current* is kept to the minimum to reduce dissipation.

*** NOTE: It is likely that due to the drift in the pre-set values, the minimum internal preload current may not be sufficient to provide adequate feedback signal strength resulting in shut down of one or more modules when no external load is present (The associated PSM Status LED will flash and also, the associated signal for remote indication will oscillate between High and Low). As soon as external load is applied to the unit, the feed back signal strength will increase and the PSM(s) that were shut down will also operate normally.**

The output is delivered through an isolating Schottky diode to enable connection of external battery for uninterrupted DC power output. The external backup battery is kept charged by taper charging through a series resistor.

- SEC-100BRM-220 has 5 PSMs of 20 A each providing a total of 100 A
- SEC-80BRM-220 has 4 PSMs of 20 A each providing a total of 80 A
- SEC-60BRM-220 has 3 PSMs of 20 A each providing a total of 60 A
- SEC-40BRM-220 has 2 PSMs of 20 A each providing a total of 40 A

COOLING AND WARNING FOR FAN FAILURE

The heat generated due to internal power dissipation is removed by forced cooling through two high power D.C. fans mounted at the back of the unit which suck air from the vents on the sides of the unit & blow outwards from the rear of the unit.

IT IS EXTREMELY IMPORTANT THAT THE DISCHARGE SIDE OF THE FANS AND THE SUCTION SIDES OF THE VENT SLOTS ARE NOT BLOCKED.

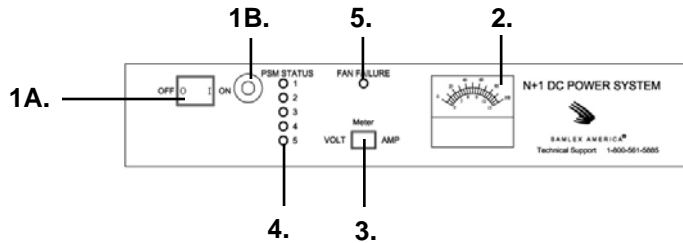
A warning circuit monitors the operational condition of the fans. In case of a fan failure, a buzzer will sound and the red LED indicating “FAN FAILURE” will light up. The unit should be switched off immediately and the defective fan should be replaced. **NEVER LOAD THE UNIT WHEN THERE IS AN AUDIBLE ALARM AND THE FAN FAILURE LED IS ILLUMINATED.**

The 2 fans are rated for 12 V nominal and are powered from the output voltage of the modules. A small Printed Circuit Board (PCB) located on the right corner towards the back of the unit is used to monitor the fans for abnormal operating conditions viz. open circuit or overload condition due to obstructed rotor.

FRONT PANEL CONTROLS AND INDICATORS

The following controls and indicators are provided on the front panel :

- 1A. **POWER ON/OFF SWITCH.** The rocker switch will illuminate when switched on.
- 1B. **BREAKER.** A circuit breaker provides protection on the input side against overload
- 2. **VOLTMETER / AMMETER.** A combined voltmeter and ammeter are provided. The function can be switched by the Volt / Amp switch (3)
- 3. **METER CHANGE-OVER SWITCH.** Switches the combined meter between ammeter and voltmeter
- 4. **L.E.D “ PSM STATUS (1 to5)”.** During normal operation, the green LED of each Power Supply Module (PSM) will light. In case a power supply module (PSM) fails, its corresponding LED will go off. LED 1 is for the left most module (near the on/off switch)
- 5. **L.E.D “FAN FAILURE ”:** In case of fan failure, this red LED lights up and a buzzer is sounded.



REAR PANEL CONNECTORS

The following output connectors have been provided (Not shown).

- 1. Load+ (Positive), Load- (Negative) LOAD CONNECTORS.
For connecting to the D.C. Load
- 2. Battery+ (Positive), Battery- (Negative) BATTERY CONNECTORS.
For connecting external battery for un-interrupted D.C. power to the load.

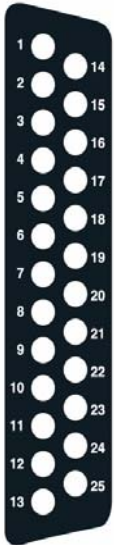
REMOTE MONITORING AND SIGNALLING

A provision has been made for remote signaling and monitoring of the following operational conditions and parameters:

1. Operational status of the 5 Power Supply Modules (PSM)
2. Failure condition of the cooling fan(s)
3. Availability of AC input power
4. Output voltage measurement
5. Output current measurement (Voltage across an internal shunt with Shunt ratio of 50 mV / 100 A or 0.5 mV per Amp)

Signaling of operational conditions as at serials 1, 2 and 3 above is opto coupled with open collector, NPN transistor outputs. The collector and emitter of each opto coupled transistor are accessible to the external user interface through the 25 pin D-Sub connector. Each open collector, opto coupled NPN transistor can provide a maximum of 50 mA with a collector to emitter voltage of up to 35 V.

Outputs for voltage and current measurements at Serials 4 & 5 above are direct analogue voltages. The pin out of the 25 pin D-Sub connector providing the above signals for user interface is given below:

| | Item | Pin No. | Color Code of Wire | Output Pin of Opto-coupler | Operational Condition or Parameter (High) |
|--|------|---------|--------------------|----------------------------|---|
|  | 1 | 2 | Black | Collector | AC input is available |
| | | 16 | White | Emitter | |
| | 2 | 12 | Orange | Collector | Fan failure |
| | | 19 | Green | Emitter | |
| | 3 | 7 | Gray | Collector | PSM 1 Normal |
| | | 20 | Violet | Emitter | |
| | 4 | 8 | Violet | Collector | PSM 2 Normal |
| | | 21 | Blue | Emitter | |
| | 5 | 9 | Blue | Collector | PSM 3 Normal |
| | | 22 | Green | Emitter | |
| | 6 | 10 | Green | Collector | PSM 4 Normal |
| | | 23 | Yellow | Emitter | |
| | 7 | 11 | Yellow | Collector | PSM 5 Normal |
| | | 24 | Orange | Emitter | |
| | 8 | 25 | Red | - | Voltmeter + |
| | | 13 | Black | - | Voltmeter - |
| | 9 | 18 | Gray | - | * Ammeter + |
| | | 6 | Blue | - | * Ammeter - |

* This signal is the voltage across an internal shunt at 0.5 mV per Amp (Shunt Ratio is 50 mV / 100 A)

PROTECTIONS

SHORT CIRCUIT PROTECTION: In the event of a short circuit, the PWM controller will be shut down and the output will drop to near 0 V. The green LEDs will flash. The unit will reset automatically once the short circuit condition is removed

CURRENT LIMITING: The unit will enter this mode when the load tries to draw more than the limiting values of currents as shown in the specifications. Under this condition, there will be loss of voltage regulation and the output voltage will drop. The "PSM STATUS" LEDs will, however, remain illuminated, but dimmed. When the overload reaches approximately 140A for SEC-100BRM-220 or 112A for SEC-80BRM-220 or 84A for SEC-60BRM-220 or 56A for SEC-40BRM-220 (the output voltage will be approximately 2.7V), the unit will shut down (will enter hiccup mode). The PSM status LEDs will start flashing and PSM status signal for remote indication will oscillate between High and Low. **The unit will reset automatically as soon as the overload condition is removed .**

INPUT SURGE PROTECTION : The unit is protected against input voltage surges. In case of input spike/ surge, the A.C. side breaker will trip. The 4A fuse on the module will also blow.

FAN FAILURE WARNING INDICATOR AND ALARM: If forced air cooling is stopped due to failure of any one or both the fans, the red "FAN FAILURE" LED will be illuminated and an alarm buzzer will be activated. At the same time, a "High" signal will be fed to the opto-coupler for signaling "fan failure" for remote monitoring (see Page 5). The unit is required to be switched off immediately as loss of forced air cooling may result in major damage to the unit.

INSTALLATION AND OPERATION

1. Ensure that the space where the unit is to be installed has adequate air supply for cooling. There should be no obstruction on the suction vent slots on the sides of the unit or on the discharge side grilles of the fans on the back of the unit.
2. Switch off the on/off switch on the front panel.
3. Switch off all the D.C. load(s) to be connected to this unit.
4. Connect the Load+ and Load- at the back of the unit to the D.C. load(s) or the DC bus. Ensure the wire or bus bar used to connect the load or the D.C. bus is of proper cross-section to carry the desired load current. Tighten the screws to ensure firm connection.
5. In case external battery is required for battery back-up, connect the positive of the battery to Battery+ and negative of the battery to Battery-. (See details under "operation of the battery back-up")
6. Plug the unit into the 230 V, 50/60 Hz standard AC outlet of appropriate current capacity.
7. Switch on the unit by pressing the power on/off switch to on position. The switch will be illuminated confirming that input power is available.
8. A short beep may be generated by the temperature fault alarm circuit on powering on the unit. This is normal. Please disregard.
9. The PSM Status LEDs will light and "on" signal will be fed to the associated drives of the opto-couplers for remote monitoring / indication through the 25 pin D-sub connector. As explained under Design & Principle of Operation on page 3, a minimum load current is necessary to operate the current share control circuitry of the PSMs. **It is likely that due to the drift in the pre-set values, the minimum internal preload current may not be sufficient to provide adequate feedback signal strength resulting in shut down of one or more modules when no external load is present (The associated PSM Status LED will flash and also, the associated signal for driving the opto couplers for remote indication will oscillate between "on" and "off" conditions). As soon as external load is applied to the unit, the feed back signal strength will increase and the PSM(s) that were shut down will also operate normally.**
10. Switch the volt/amp change-over switch to the "VOLT" position. The voltmeter should read 14 V on no load (Please see explanation on Page 7)
11. Switch on the D.C. loads. The output voltage on load should be 13.65V to 13.35V (Please see explanation on Page 7)
12. Switch the Volt/Amp meter switch to "**AMP**" position to read the load current. Ensure that the load current is within the total rated continuous load of the modules installed.

OPERATION OF BATTERY BACK-UP

WARNING! THE BATTERY SHOULD BE LOCATED IN A WELL VENTILATED AREA TO SAFELY DISSIPATE HYDROGEN GAS PRODUCED DURING THE CHARGING PROCESS.

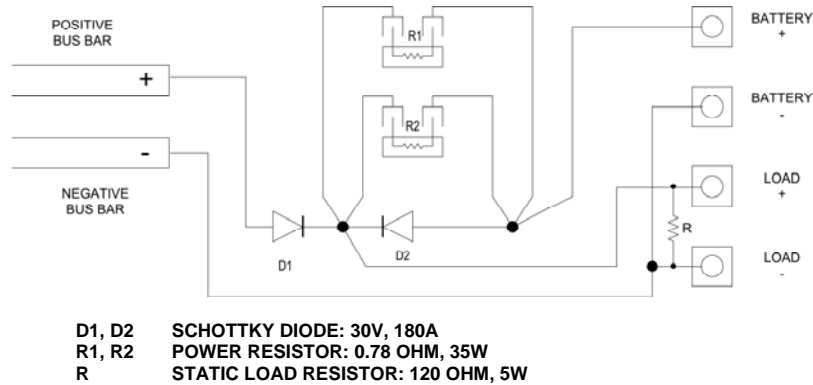


FIGURE A.

Please refer to the schematic at fig. A above.

Regulated output voltage of 14.2VDC +/- 1% from the modules (measured at screw terminals **S5** and **S6** (Fig.1) is fed to the positive and negative DC bus bars and from there to the output terminals **LOAD+** and **LOAD-** through the isolating Schottky Diode **D1**. Although the output voltage at the module terminals **S5** and **S6** (Fig.1) or at the common DC bus bar (before the Schottky Diode **D1**) is tightly regulated at the preset value of 14.2VDC +/- 1%, the voltage at the output terminals **Load +** and **Load -** will vary slightly due to the forward voltage drop of the isolating Schottky Diode **D1** and the drop along the DC bus bar and wiring. **The voltage at the output terminals **LOAD +** and **LOAD -** will be as follows :**

| | |
|----------------------------|--|
| At no external load | Approx. 14V |
| At 10 A load | Approx. 13.8V |
| At loads > 10A | Approx. 13.8V minus 5mV per Amp above 10A |

When there is a requirement of un-interrupted D.C. power to the load, an external battery may be connected at the terminals Battery + and Battery -. When the input A.C. power is available, the load current is supplied by the power supply through isolating Schottky Diode **D1**. At the same time, the battery is charged through resistors **R1** & **R2**. (These resistors will limit the maximum charging current to about 8 Amperes.)

If the input A.C. power is interrupted, the external battery feeds the load instantaneously through the Schottky Diode **D2** (**D2** will by-pass the resistors **R1** & **R2**). Voltage available to the load will be approximately 0.4V lower than the battery voltage due to forward voltage drop across **D2**.

Availability of AC power is signaled for remote monitoring through an opto-coupled signal through the D-Sub connector (see page 5 under "Remote monitoring & Signaling"). This signal may also be used to indicate that the load is being powered by battery (In case external battery is used for battery back-up).

When the input AC power returns, the battery will be isolated and the load current will once again be supplied by the power supply. The discharged battery will recharge through **R1** & **R2** (**R1** & **R2** are in parallel offering a net resistance of 0.39 Ohm).

NOTE: The value of charge limiting resistors is based on a typical 100AH deep cycle marine battery. If a different type of battery is used, the value of the resistor should be adjusted to meet associated charging requirements.

OUTPUT VOLTAGE ADJUSTMENT

NOTE : The voltages indicated are at no load and are measured at any of the module output pads under **S5** and **S6** or at the DC bus before the Schottky Diode **D1**.

Parallel Operation Under Forced Current Share Control

The output voltage of each module measured at the module output pads under **S-5** and **S-6** (See Fig.1) is factory pre-set at **14.2 V**. A precision multi turn potentiometer **VR1** is provided for fine adjustment of the output voltage of the module (**The adjustment range is 13.8 V to 14.6 V**).

For the forced current share control to work properly, it is important that the output voltage of each module connected in parallel is exactly the same. When 2 or more modules are operating in parallel under forced current share control and if the output voltage of any module is below 14.2 V, it's current share control circuitry will not function properly and it's LED will start flashing. The LEDs of the other modules which are putting out 14.2 V will remain continuously lighted and the output voltage of the common DC bus (before the Schottky Diode **D1**) will be 14.2 V.

If the output voltage of any module is higher than 14.2 V, it's LED will remain continuously lighted but the LEDs of all the other modules will flash randomly. The output voltage of the common DC bus (before the Schottky Diodes **D1**) will read the higher voltage of this module.

Adjusting the output voltage of the modules at no load

NOTE : The output voltage is adjusted by multi turn potentiometer **VR1** (Fig.1). As the adjustment is very fine, multiple turns will be required even for small voltage change. Turn clockwise for decreasing and anti clockwise for increasing . The adjustment range is 13.8V to 14.6V

As explained under **OPERATION OF BATTERY BACK UP** on page 7, although the output voltage at the module terminals **S5** and **S6** (Fig.1) or at the common DC bus (before the Schottky Diode **D1**) is tightly regulated at the preset value of 14.2 V +/- 1%, the voltage at the output terminals **Load +** and **Load -** will vary between 14 V at no load to 13.35 V at full load of 100 A due to the forward voltage drop of the isolating Schottky Diode **D1** and the drop along the DC bus and wiring.

The output voltage of the paralleled modules or the common DC bus (before the Schottky Diodes **D1**) can be adjusted between 13.8 V and 14.6 V by adjusting the voltage of each module individually as per the following procedure (This procedure is explained for SEC-100BRM which has 5 modules). **The voltage at the output terminals LOAD + and LOAD – will be as follows :**

| | |
|----------------------------|--|
| At no external load | Module voltage minus 0.2V |
| At 10A load | Module voltage minus 0.4V |
| At loads > 10A | Module voltage minus 0.4V minus 5mV per Amp above 10A |

Procedure

- Switch off the unit and unplug the power cord.
- The output voltage of each individual power supply module (**PSM**) is adjusted one by one starting from the left most module – PSM 1 and progressing to the right most module – PSM No. 5 (for SEC-100BRM-220). **AC input is connected only to the module being adjusted. AC input to the remaining modules is disconnected**
- Remove the AC input connections (female quick connect terminals connected to the L and N male tab terminals on the modules – Fig. 1) from PSM Nos. 2, 3, 4 and 5. Temporarily insulate these female quick connect terminals with insulating tape for safety. **Now, only PSM No. 1 can be energized.**
- Switch on the power supply. **Only PSM No. 1 will operate.** Adjust the output voltage of this module to the desired value with the help of potentiometer **VR1** (Fig.1) Measure the voltage at the screw terminals **S5** and **S6** (Fig.1)
- Switch off the power supply. Remove the AC input connection from PSM No. 1. Temporarily insulate these terminals with insulation tape. Remove temporary insulation from the AC connectors for PSM 2 and connect them to PSM 2. **Now only PSM 2 can energize.**
- Switch on the power supply. **Only PSM No. 2 will operate.** Adjust the output voltage of this module to the desired value with the help of potentiometer **VR1** (Fig.1). Measure the voltage at the screw terminals **S5** and **S6** (Fig.1)
- Continue to adjust the voltage of the remaining Module Nos. 3, 4 and 5 individually as explained above making sure that **the AC power is connected to only the module being adjusted.**
- After all the modules have been adjusted to the same output voltage, connect the AC input back to all the five modules.
- Power on the unit and check that all the 5 “**PSM Status**” LEDs are lighted. This will confirm that the voltage adjustment has been completed successfully.

NOTE: As explained under Design & Principle of Operation on page 3, it is likely that the minimum internal preload current for the new value of the output voltage may not be sufficient to provide adequate feedback signal strength resulting in shut down of one or more PSM(s) when no external load is present (The associated PSM Status LED will flash and also, the associated signal for remote indication will oscillate between High and Low). In such a case, apply an external load to increase the feed back signal strength. If there is no other defect, the PSM(s) that were shut down will also operate normally.

INSTALLATION AND REMOVAL OF POWER SUPPLY MODULES

NOTE: INSTALLATION AND REMOVAL OF POWER SUPPLY MODULES SHOULD BE PERFORMED ONLY BY QUALIFIED PERSONNEL

CAUTION!

Before removing a defective module or installing a new one, switch off the 230 V , 50/60 Hz input power and unplug the power cord from the mains outlet.

NOTE: Please refer to the layout diagram of the module at Figure. 1 located on page 17.

UPGRADING TO HIGHER CAPACITY – INSTALLING ADDITIONAL MODULE(S)

Additional optional module(s) (**Model No. SEC-2012MPSB-220**) can be added to upgrade the output current capacity of SEC-40BRM / SEC-60BRM / SEC-80BRM-220 by steps of 20A to a maximum of 100A. For example, an SEC-40BRM-220 (40 A, with 2 modules) can be upgraded to SEC-60BRM-220 (60A) by adding 1 more module or to SEC-80BRM-220 (80A) by adding 2 more modules or to SEC-100BRM-220 (100 A) by adding 3 more modules.

The optional module **SEC-2012MPSB-220** comes with an LED and LED holder. It's output voltage is pre-set at 14.2 Volts

The procedure to install additional module(s) is as follows :

1. Remove the top cover plate by unscrewing the 10 screws
2. Each module sits on 6 stand-offs under the holes **S1** to **S6** (Fig.1). Additional module(s) are to be installed in the vacant space(s) adjacent to the right of the existing module. Remove the screws from the 6 stand-offs for the adjacent vacant space for the module.
3. Place the module on the stand-offs with the **L** and **N** terminals (Fig.1) towards the front panel. Align the holes and fix the module with the 6 screws. **WARNING! Please ensure that screws S5 and S6 are very tight as the pads under these two screws connect the output of the module(s) to the DC bus bar underneath. A loose connection under these screws will result in sparking , overheating and consequent damage to the module**
4. Each module has independent AC power input wires. Locate unused pair of AC input wires. (Black and white with insulated female quick connect terminals). The black wire is required to be connected to the male tab terminal marked **L** (Fig.1) and white wire is required to be connected to the male tab terminal marked **N** (Fig.1). **DO NOT CONNECT THESE WIRES TILL STEP 8 BELOW.**
5. Terminal marked LED2 (Fig.1) is used for the front panel LED under "PSM Status (1 to 5)" and terminal marked LED1 (Fig.1) is used for remote indication through the D-Sub connector. The PSM status output signal from connector LED1 is fed to the associated opto-coupler on the small opto-coupler PCB (Printed Circuit Board) & from there it is fed to the D-Sub connector. Connection to the opto-coupler PCB and onward to the D-Sub connector for remote indication is made using color coded pair of wires for each of the 5 modules (Please see the colour code for PSM 1 to 5 under **REMOTE MONITORING AND INDICATION** on Page 5). An LED holder and a green LED with wire and female quick connect terminal are provided with the new module for connecting to the front panel. The vacant hole(s) for the front panel LEDs are closed with plastic plug(s). Remove the plastic plug from the vacant hole for the LED under the existing bottom most LED. Insert the LED holder in this hole from the outside. Insert the green LED from the inside and push it till it locks. Connect the female quick connect terminal of the LED to the male quick connect terminal marked LED2 (Fig.1). If remote indication is also required, then connect the female quick connect terminal of the corresponding colour coded wire for the remote indication connection to the male quick connect terminal marked LED1 (Fig.1)
6. All the connected modules operate under forced current share control through a daisy chained **SHARE BUS** formed by interconnecting each module through the male quick connect terminal marked **JUMP1** (Fig.1 & 2). A wire with 5 female quick connect terminals is provided for the above connection. Locate the unused female quick connect terminal(s) of this wire and connect it to the male quick connect terminal marked **JUMP1** (Fig.1)
7. Use cable ties to secure all loose wiring
8. As explained under "OUTPUT VOLTAGE ADJUSTMENT" on pages 8 and 9, the output voltage at the individual modules (Measured at points S5 & S6 of the module as shown at Fig. 1 on page 17) is required to be set exactly at the same voltage for proper current share control. Each module is factory preset at a voltage of 14.2V with the help of potentiometer VR1. Although the optional module SEC-2012MPSB is factory preset at 14.2V, it may differ slightly due to tolerance. It is, therefore, necessary to ensure that the voltage of all the individual paralleled modules {the existing modules and the additional optional module(s)} is set exactly at 14.2V. For this, follow instructions given under "**Procedure**" on page 9.
9. Replace the top cover. Power on the unit and confirm that the "**PSM Status**" LEDs of all the installed modules are lighted.

REMOVING A DEFECTIVE MODULE

1. Remove the top cover plate by unscrewing the 10 screws.
2. Locate the defective module. Remove the 6 screws from S1 to S6.
3. Remove the input power supply wires from terminals “L” and “N”. Insulate the wire terminals with insulating tape
4. Remove connectors from terminals “LED 1 & LED 2” .
5. Remove the “SHARE BUS” wire female socket connector from the terminal “JUMP1”. If the defective module is not being replaced immediately and if the unit is required to be operated without this defective module.

IT IS MANDATORY TO SHORT THE TWO FEMALE SOCKETS ON THIS UNUSED FEMALE CONNECTOR WITH A SHORTING LINK. (SEE FIG. 3) THIS WILL ENSURE THAT THERE IS NO BREAK IN THE “SHARE BUS” DAISY CHAIN AND THAT ALL THE “JUMP1” TERMINALS ARE INTERCONNECTED.

6. The module can now be removed.

TROUBLE SHOOTING

POWER ON/OFF SWITCH DOES NOT LIGHT WHEN SWITCHED ON

- Check that power is available in the AC outlet
- Check that the power cord plug is properly plugged in

BREAKER TRIPS

- The breaker has tripped due to abnormal condition. Call technical support

“FAN FAILURE” LED LIGHTS UP AND BUZZER IS SOUNDED

- One or both of the fans have stopped
Forced cooling has failed due to defect in the cooling fan(s). Switch off the unit immediately. Fan(s) needs to be replaced.

DO NOT USE THE UNIT TILL THE DEFECT IS RECTIFIED. IT IS PROHIBITED TO USE THE UNIT WITHOUT FORCED COOLING. Call technical support.

- If both the fans are running, the small fan status monitoring PCB may be defective. Call technical support.

“ PSM STATUS ” LED(S) DOES NOT LIGHT UP

- The associated module has become defective. The unit will still operate normally as the remaining working modules will share a higher load. The unit will go into current limit and the output voltage will drop if the load drawn is more than the combined maximum rated output of the remaining modules. Reduce the load so that the maximum load drawn is less than the combined maximum rated output of the working modules.

Remove the defective module and replace with a new module.

OUTPUT VOLTAGE DROPS ON LOAD

- The unit has gone into current limit as the load being drawn is more than the combined maximum rating of the working modules. This may also result if one or more modules has failed . Check that all the modules are operating properly. If a module has failed, its green LED would extinguish or flash. Reduce the load drawn to a value less than the combined maximum rated output of the working modules. If the voltage does not rise to the rated voltage of 13.65 V to 13.35 V, then switch off all the loads. If the voltage in this condition is also low, switch off the unit and contact technical support

ONE OR MORE “PSM STATUS” LED(S) FLASHES

- The output voltage of the individual modules is not the same or the forced shared control circuitry of the module(s) is defective. Adjust the voltages of the modules to 14.2V as explained on page 8.

If the problem still exists, contact technical support.

- If the one or more PSM status LED(s) flash when no external load is connected, it may mean that the internal pre-load current is not sufficient to provide adequate feedback signal for the current share control circuitry. Apply external load. If the flashing stops, the associated PSM(s) are normal. If flashing continues even after applying an external load, contact technical support.

LIMITING ELECTROMAGNETIC INTERFERENCE (EMI)

1. Switched mode power supplies (SMPS) employ high frequency switching and thus, are a source of radio interference, a recipient of radio interference and a conduit of radio interference. (Older linear type transformer based power supplies do not employ high frequency switching voltages and will be quieter as compared to switching type of supplies).
2. The primary emission sources originate in the switching devices due to their fast switching current transitions: harmonics of the switching frequency and broadband noise created by under-damped oscillations in the switching circuit. The secondary source is from the bridge rectifier, both rectifier noise and diode recovery. The AC input rectifier / capacitor in the front end of the switching power supplies (excepting those with power factor correction) are notorious for generating power supply harmonics due to the non linear input current waveform. The noise is both conducted and radiated through the input power cord and the DC output wiring to the radio. Filters are used to limit the noise to acceptable level.
3. Switching power supplies are also recipients of radio interference. The normal operation of the power supply can be disturbed due to RF noise getting coupled into the power supply. Thus, the power supply may generate excessive RF noise and lose output voltage regulation due to excessive transmitter energy being coupled through the AC / DC lines to the power supply's regulator feedback path. This may be due to antenna being too close or due to the antenna or feed system not radiating properly. First check the antenna system SWR. Then, if necessary, relocate either the antenna or the power supply farther apart.
4. The receiver may "hear" the power supply. A slowly moving, slightly buzzing carrier heard in the receiver may be caused by the antenna being too close. As with the transmitter related noise pick up, a loose coaxial connector or a broken or a missing ground may aggravate this problem. Normally these noises will be below the background or "band" noise. Increase the separation between the power supply and the receiving antenna. Use an outdoor antenna. This will reduce the amount of signal picked up from the power supply and also increase the amount of the desired signal.

5. The conducted RF noise from these power supplies is limited to the maximum allowable levels by internal filtration. The filtered RF noise currents are by-passed to the chassis of the power supply. The chassis is, in turn connected to the earth ground pin of the AC input power cord (for Class 1 units). Thus, the filtered noise currents are intentionally leaked to the earth ground. This is termed as the “Earth Leakage Current”. For safety against electric shock, this earth leakage current is also required to be limited. It will be seen that these two requirements are conflicting.

NOTE:

In some cases, to prevent electric shock hazard due to abnormal leakage current (like in marinas, spas, hot tubs, wet spaces etc.), the AC outlet circuits / receptacles in these areas are served through a GFCI (Ground Fault Circuit Interrupter). This GFCI is normally set to trip when it senses an earth leakage current > 5 mA. A single GFCI may be serving multiple AC outlet circuits / receptacles and therefore, will be sensing the sum of all the leakage currents of the devices connected to these. As the switching power supplies have intentional leakage current as explained above, it may trip a GFCI feeding multiple AC outlet circuits / receptacles. In such cases, disconnect devices connected to the other AC outlet circuits / receptacles served by this GFCI.

6. Following additional guidelines may be followed to reduce the effects of RF noise:
 - a. Use additional appropriate AC radio frequency interference (RFI) power line filter immediately before the AC input of the power supply. For example, 250VAC, 20A filter “F1700DD20” from Curtis Industries (www.curtisind.com) or similar. Filtered, ferrite coated cord set (www.emceupen.com) is another choice. These cord sets, with integral line interference filters, reduce common and differential mode interferences over a wide frequency range. Because they are shielded, they are also effective against radiated interferences. In addition to the built-in filter networks, the cable conductors are coated with an RF absorbing ferrite compound. This provides additional attenuation at high frequencies that is lacking in most regular LC filters. The RF absorption of the ferrite-coated cable avoids resonance’s at high frequencies, reducing the conducted and radiated RF noises even further
 - b. Use additional appropriate DC radio frequency interference (RFI) power line filter immediately after the dc output of the power supply. For example, 80VDC, 100A filter from “DC” series by Corcom (www.corcom.com) or 80VDC, 100A filter from “FD” series by Curtis Industries (www.curtisind.com) or similar.

- c. Twist the positive and negative wires from the output of the power supply to the radio
- d. The DC side positive and negative outputs of these power supplies are isolated from the chassis. As explained at paragraph 5 above, the noise currents are filtered to the chassis ground and the chassis ground is connected to the earth ground through the earth ground pin of the AC power outlet receptacle. Avoid connecting (referencing) the DC negative output terminal of the power supply to the earth ground.
- e. Connect a 1/4" wave length of wire on the negative terminal of the power supply. Connect one end of the wire to the negative terminal and leave the other end free. The wave length corresponds to the wave length of the interfering frequency. (May not be practical for long wave lengths)

[Formula: Wave length (Meters) = 300 / frequency in MHz

SPECIFICATIONS

| | <u>SEC-40BRM</u> | <u>SEC-60BRM</u> | <u>SEC-80BRM</u> | <u>SEC-100BRM</u> |
|---|--|------------------|------------------|-------------------|
| NO. OF MODULES | 2 | 3 | 4 | 5 |
| INPUT VOLTAGE RANGE | 210 TO 250 V AC, 50/60 HZ | | | |
| INPUT CURRENT | 4A | 6A | 8A | 10A |
| OUTPUT VOLTAGE (At terminals L+ & L- , See page 7) | | | | |
| • NOMINAL, VDC | ←———— 13.8 V —————→ | | | |
| • NO LOAD, VDC | ←———— 14 V —————→ | | | |
| • FULL LOAD, VDC | 13.65 V | 13.55 V | 13.45 V | 13.35 V |
| OUTPUT REGULATION (At module output S5, S6—Fig. 1) | 1% | | | |
| OUTPUT CURRENT | | | | |
| • CONTINUOUS | 40A | 60A | 80A | 100 A |
| • SURGE | 46A | 69A | 92A | 115A |
| OUTPUT CURRENT LIMIT | 48A | 72A | 96A | 120A |
| OUTPUT RIPPLE, PEAK TO PEAK | ←———— 150mV —————→ | | | |
| OUTPUT NOISE, PEAK TO PEAK | 1V | 0.9V | 0.8V | 0.7V |
| COOLING | FORCED AIR, 2 FANS | | | |
| OPERATING TEMPERATURE | 0 TO 40 C | | | |
| PROTECTIONS | | | | |
| • SHORT CIRCUIT | YES | | | |
| • CURRENT LIMIT | YES | | | |
| • FAN FAILURE | LED AND BUZZER | | | |
| • INPUT SURGE SUPPRESSION | YES | | | |
| FUSE / BREAKER | <ul style="list-style-type: none"> • MODULE FUSE – 250 V, 4 A • UNIT HAS A BREAKER | | | |
| DIMENSIONS(19" Rack Mount, 2U height) | 19" X 15.9" X 3.6" | | | |
| POWER CORD | 3 CONDUCTOR, 1.0 mm ² | | | |
| POWER CORD PLUG | European "Schuko", 250V, 16A | | | |
| WEIGHT, LBS | 20.5 | 22 | 23.5 | 25 |

NOTE: SPECIFICATIONS SUBJECT TO CHANGE WITHOUT NOTICE

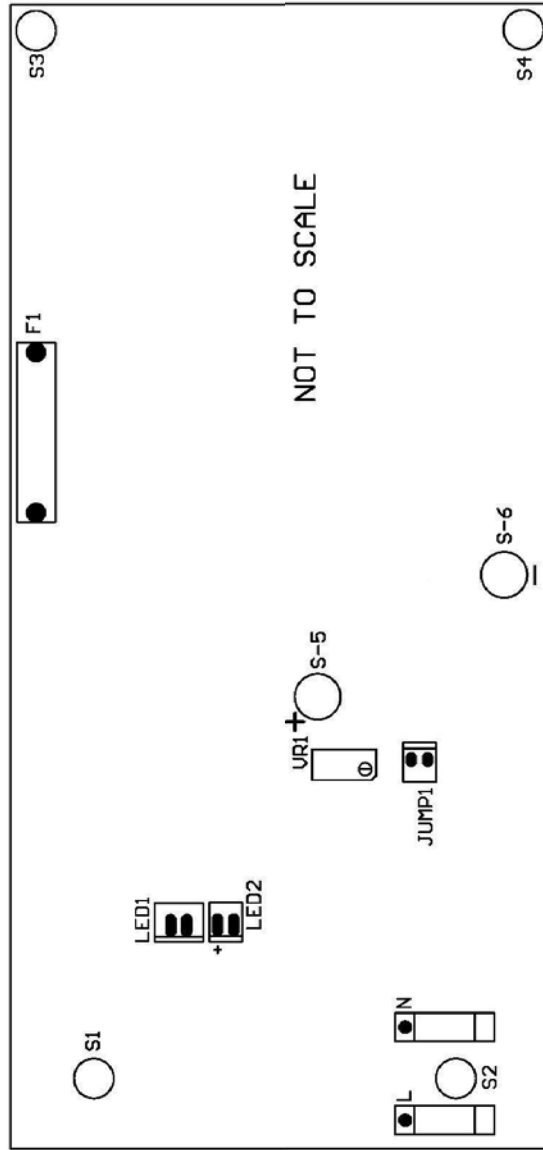


Figure 1.

Figure 1 - Layout of Power Supply Module

S1 to S4

S5 & S6

L & N

LED 1

LED 2

JUMP 1

F1

VR1

Holes for 4 screws to fasten the module to the chassis

Holes for 2 screw to connect to the Positive and Negative output BUS Bars

L (line) and N (neutral) terminals for 120V, 60 Hz input power supply wires

Terminal for "ON" status for opto-isolated remote indication

Terminal for "LED" PSM status for front panel indication

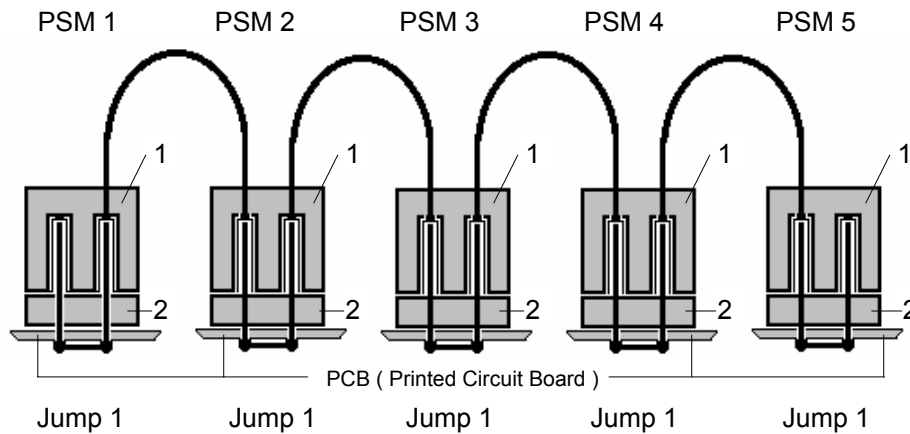
Jumper terminal for connecting share BUS wire

Fuse

Potentiometer for output voltage adjustment

Figure 2.

“ Daisy Chaining “ of “Share BUS “ jumpers (Jump 1)



1. Female socket terminal of the daisy chain.
2. Male 2 pin terminal marked “Jump 1“ on the Power Supply Module.

CONTINUITY OF “ DAISY CHAIN “ CONNECTIONS

Removing any end module (example PSM1/PSM5 in Fig. 2 above) does not break the daisy chain. However, if any of the sandwiched modules (example PSM 2,3,4) is removed, the daisy chain is broken. In this case, the unused female socket for the missing sandwiched module(s) should be shorted by inserting a shorting link to prevent a break in the daisy chain (Fig.3)

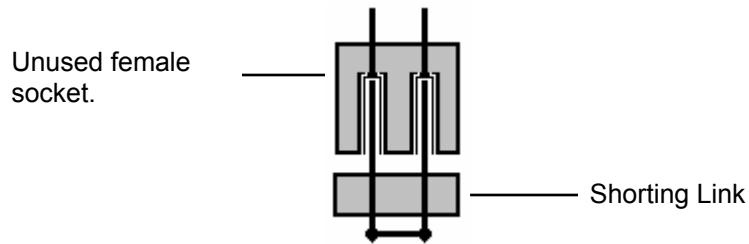


Figure 3.

2 YEAR Limited Warranty

This product manufactured by Samlex America, Inc. (the "Warrantor") is warranted to be free from defects in workmanship and materials under normal use and service. This warranty is in effect for 2 years from the date of purchase by the user (the "Purchaser")

If the defective product is within the warranty period, the Purchaser should contact the place of purchase to obtain a Return Authorization Number.

The defective part or unit should be returned at the Purchaser's expense to the authorized location. A written statement describing the nature of the defect, the date of purchase, the place of purchase, and the Purchaser's name, address and telephone number should also be included.

If upon the Warrantor's examination, the defect proves to be the result of defective material or workmanship, the equipment will be repaired or replaced at the Warrantor's option without charge, and returned to the Purchaser at the Warrantor's expense if within the warranty period.

No refund of the purchase price will be granted to the Purchaser, unless the Warrantor is unable to remedy the defect after having a reasonable number of opportunities to do so.

Warranty service shall be performed only by the Warrantor. Any attempt to remedy the defect by anyone other than the Warrantor shall render this warranty void.

There shall be no warranty for defects or damages caused by faulty installation or hook-up, abuse or misuse of the equipment including exposure to excessive heat, salt or fresh water spray, or water immersion.

No other express warranty is hereby given and there are no warranties which extend beyond those described herein. This warranty is expressly in lieu of any other expressed or implied warranties, including any implied warranty of merchantability, fitness for the ordinary purposes for which such goods are used, or fitness for a particular purpose, or any other obligations on the part of the Warrantor or its employees and representatives.

There shall be no responsibility or liability whatsoever on the part of the Warrantor or its employees and representatives for injury to any persons, or damage to person or persons, or damage to property, or loss of income or profit, or any other consequential or resulting damage which may be claimed to have been incurred through the use or sale of the equipment, including any possible failure of malfunction of the equipment, or part thereof.

The Warrantor assumes no liability for incidental or consequential damages of any kind.

Samlex America Inc. (the "Warrantor")
110-17 Fawcett Road
Coquitlam BC V3K6V2 Canada
(800) 561-5885
(604) 525-3836

Attach copy of receipt here for your records:



| |
|-------------------|
| Date purchased: |
| Purchased from: |
| Additional notes: |
| |
| |
| |



Thank you for purchasing a Samlex power supply product !

Samlex America Inc.
110 -17 Fawcett Road
Coquitlam, B.C. V3K 6V2 Canada

SEC-40/60/80/100BRM_230_Feb2008