

Solar Boost SB3000i

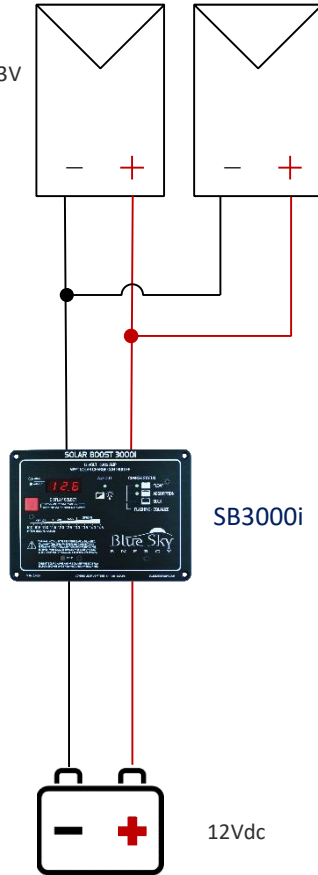
System Voltage 12V | Max Voc 40V



Example #1

12V panel, Max PV 300w

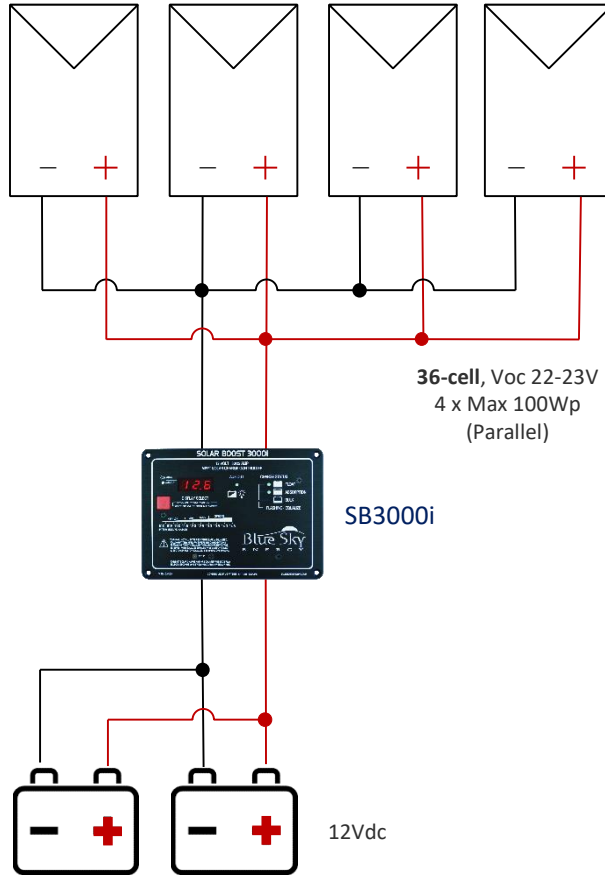
36-cell, Voc 22-23V
2 x 150Wp
(Parallel)



Example #2

12V panel, Max PV 400w

36-cell, Voc 22-23V
4 x Max 100Wp
(Parallel)



Example #3

20V panel, Max PV 290w

60-cell, Voc 36-38V
1 x Max 290Wp



PV Panel



Battery (AGM)

Blue Sky Energy Inc.

June, 2016

Single Line Diagram - SB3000i @12V

www.blueskyenergyinc.com