

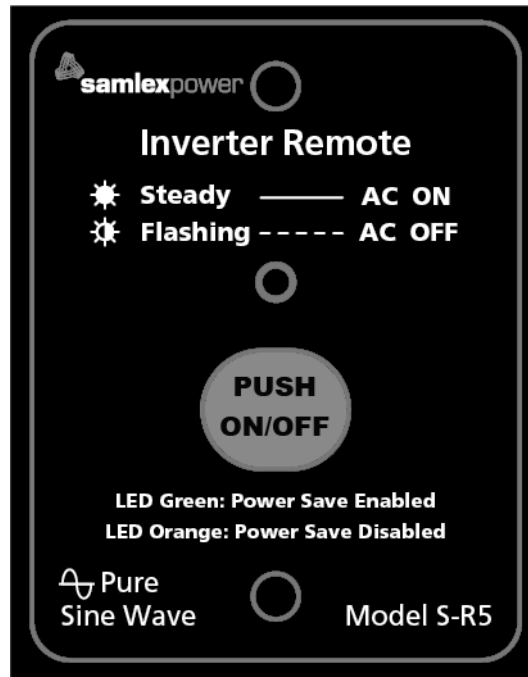
S-R5 Inverter Remote Control User Manual

1. Features

- Remote ON/OFF switching for the inverter
- Power Saving Mode Setup & display

2. Specification

- Input Voltage : 10.5 – 30 VDC
- Operating Temperature Range : 0 – 40°C
- Storage Temperature Range : -30°C - 70°C
- Stand-By Current Draw : < 40mA
- Applicable Models : SA-1500 Series



3. Introduction

• System Configuration

Plug the 9-pin D-SUB connector of the Inverter Remote Control into the RS-232 port of the Inverter. Check the setting of DIP-SW S5 & S6, The communication BAUD RATE should be set to 4800bps (S5 & S6 OFF).

• Initialization

Turn on the Inverter with the help of the Power on/off switch on the front panel of the inverter. There will be two short beep sounds coming from the Inverter. All LEDs will be ON, and one second later, there will be a short beep sound. The amber, green, and red LEDs of the Inverter Remote Control will be ON for 0.5 second then OFF sequentially. The Inverter is then in OFF mode. The amber LED will be flashing every 2~3 seconds. (Power Save disabled).

- Inverter Remote Control LED**

Color / Status	Power Saving	Power Output
Solid Green	Enable	ON
Flashing Green	Enable	OFF
Solid Amber	Disable	ON
Flashing Amber	Disable	OFF

Set SLIDE SW "ON" (Keypads will not work if SLIDE SW is set "OFF")

- Remote ON/OFF**

Pressing the button (and releasing in one second) changes (toggles) the output ON/OFF mode and the display of LED will be changed accordingly.

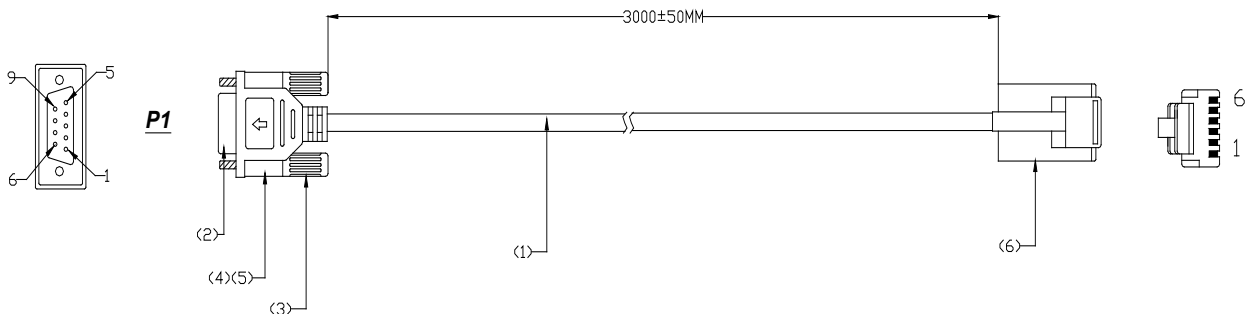
- Operation of Power Saving Mode**

Press and hold the button for 2 seconds, then the color of LED will be changed. Keep pressing the button and the color will be toggled between amber and green light every 2~3 seconds. The color of LED will determine the mode of operation. Green color indicates that power saving mode is ON and amber color indicates that power saving mode is OFF. Release the button when the LED indicates the desired status. The operation of power saving mode does not change the power ON/OFF mode.

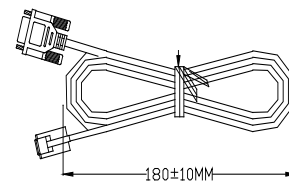
Regardless of power saving mode, when the power OFF command is set, the power will be turned OFF and the power saving mode will be set to OFF automatically (amber LED will flash for 2~3 seconds).

When the power is ON, the power saving mode will restore the previous setting.

4. Remote Control Cable for S-R5 Drawing



P1	WIRE COLOR	P2
1	BLACK (カ)	5
2	BLUE (シ)	3
3	RED (レ)	4
5	GREEN (コ)	2





WARNING!
DO NOT use standard telephone cable.