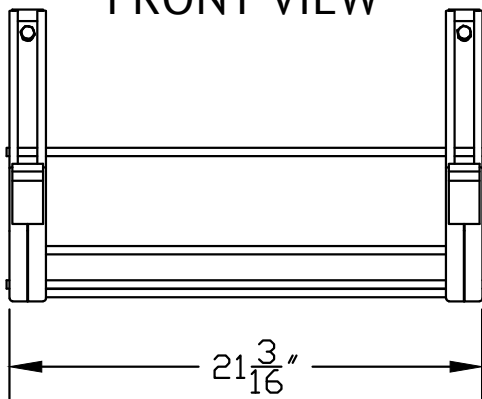
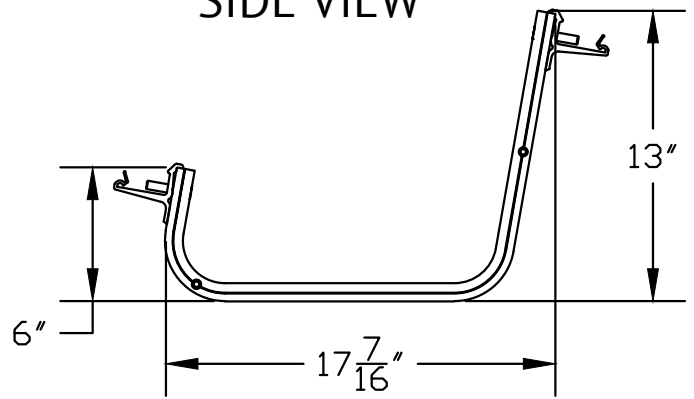


FRONT VIEW



SIDE VIEW



UNIRAC
A HILTI GROUP COMPANY

1411 BROADWAY BLVD NE
ALBUQUERQUE, NM 87102 USA

WWW.UNIRAC.COM

PRODUCT LINE:	RM
DRAWING TYPE:	COMPONENT ASSEMBLY
DESCRIPTION:	BAY & MODULE CLIPS
REVISION DATE:	MARCH - 2014

DRAWING NOT TO SCALE
ALL DIMENSIONS ARE NOMINAL

PRODUCT PROTECTED BY ONE
OR MORE US PATENTS

LEGAL NOTICE

RM-A01
SHEET