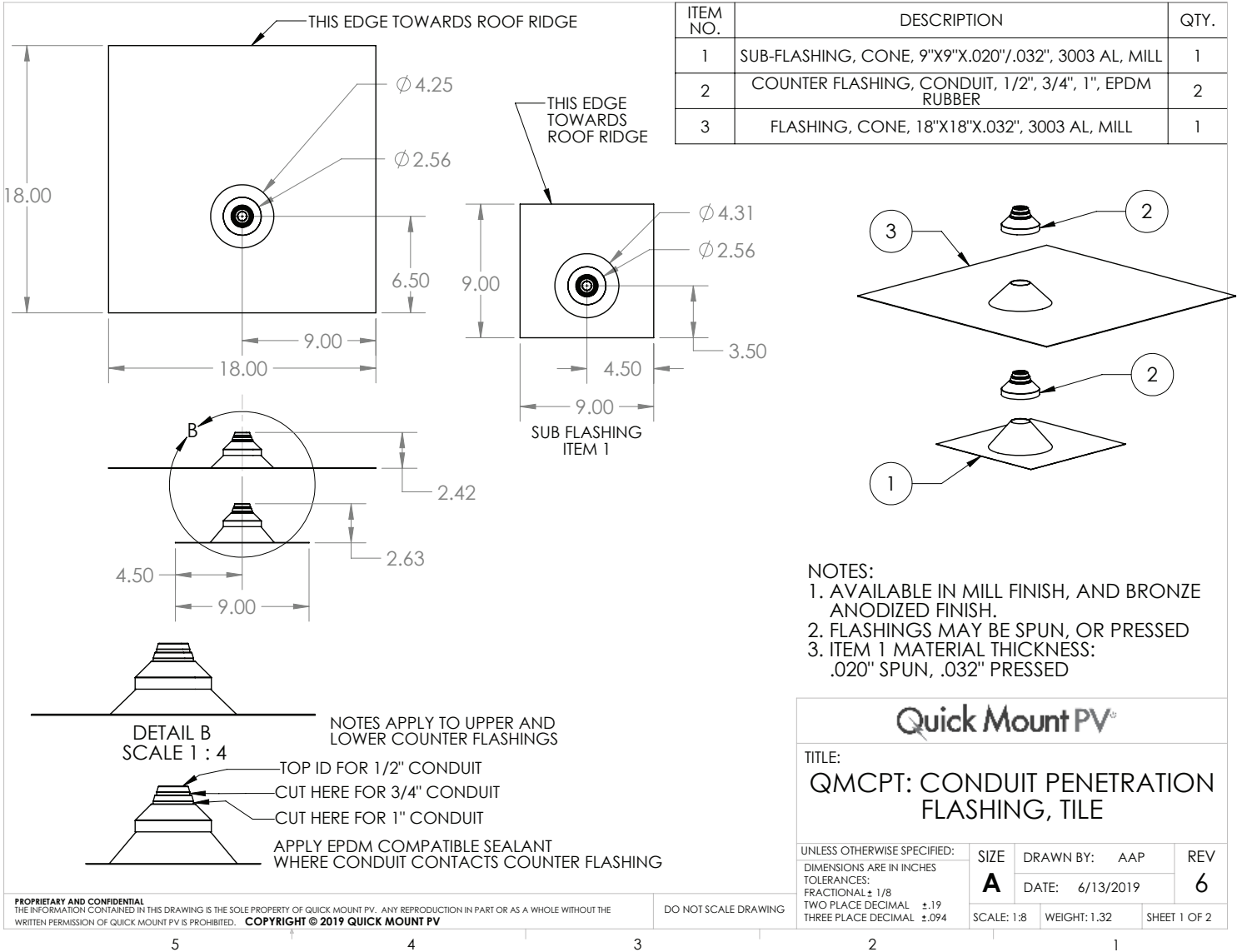


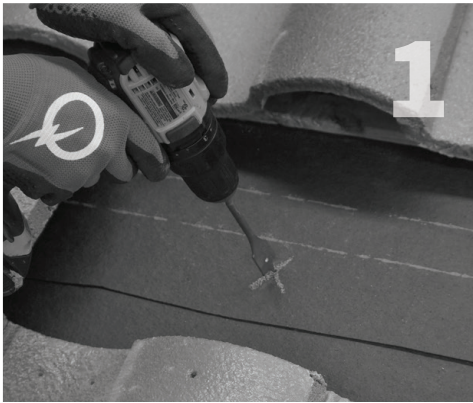
Tile Conduit Penetration Flashing | QMCPT

Drawing 1

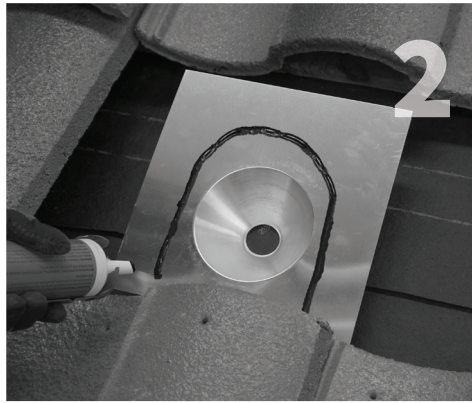


Tile Conduit Penetration Flashing Installation Instructions

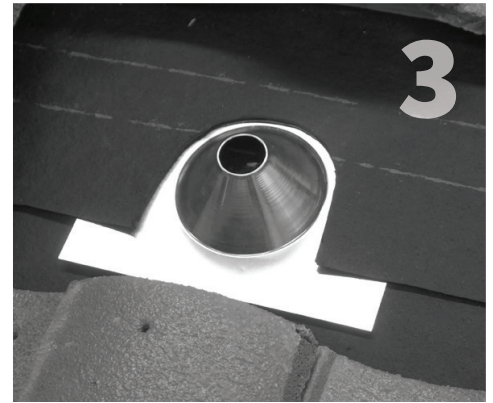
Installation Tools Required: tape measure, drill with paddle bit, caulking gun and sealant compatible with roofing material, hook blade, hammer, roofing nails, whisk broom, roofing bar, grinder with diamond blade.



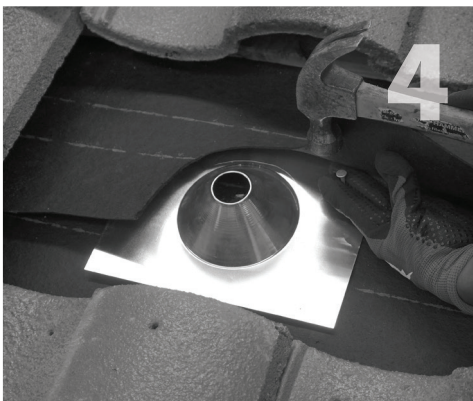
1 Drill your conduit hole next to the rafter so you can secure the conduit below the roof surface (see Drawing 2). For 1/2" conduit, drill a 7/8" hole; for 3/4" conduit, drill a 1" hole; for 1" conduit, drill a 1-1/4" hole.



2 Apply sealant compatible with the roofing material on the underside of the subflashing in and upside down U.



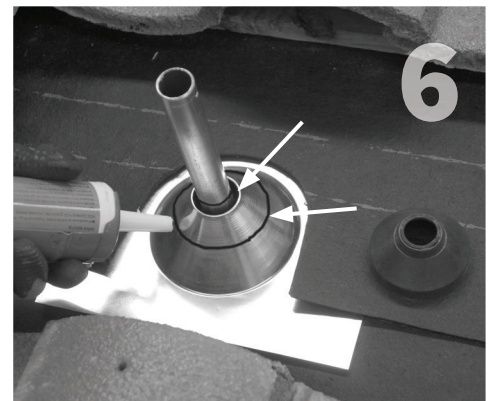
3 Clear away any dust and debris and install subflashing. Waterproof at underlayment level according to roofing manufacturer instructions and Tile Roofing Institute Guidelines.



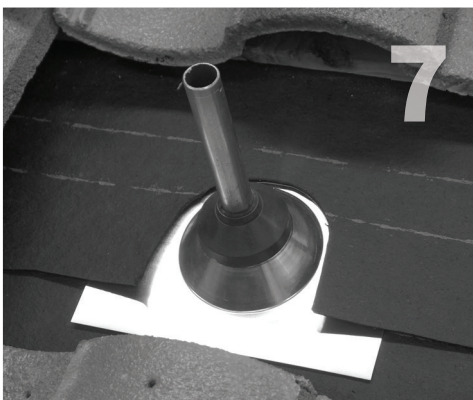
4 Under the top layer of felt, secure the subflashing with 2 roofing nails at the top corner of the subflashing. Apply sealant over the nail heads.



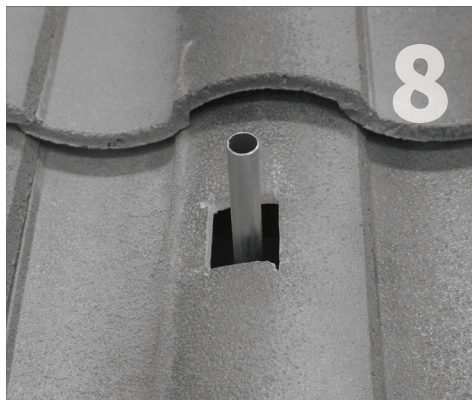
5 Cut the EPDM collar to appropriate conduit size (see Drawing 1, Detail B on cover).



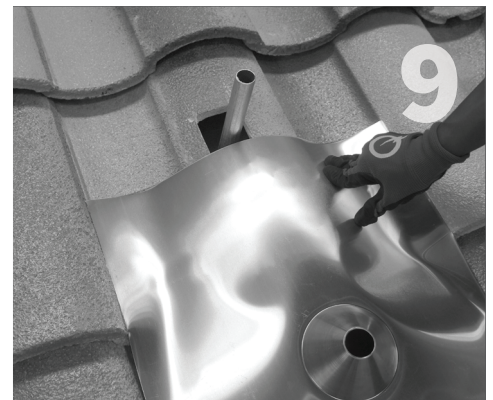
6 Apply a bead of sealant compatible with both the roofing material and EPDM rubber to both the flashing and the conduit in the location of the EPDM collars final position.



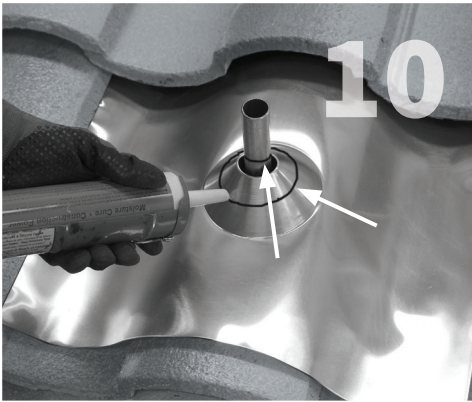
7 Slide the collar over the conduit all the way down to the flashing.



8 With a diamond blade on a grinder or skill-saw, cut tile to allow conduit to pass through. Place cut tile back in position.



9 Bend the flashing to follow the contour of the tiles. Place flashing over conduit and tuck it up under the next course of tiles.



Apply a bead of sealant compatible with the EPDM rubber to both the flashing and the conduit in the location of the EPDM collars final position.



Slide the appropriately cut collar over the conduit all the way down to the flashing.

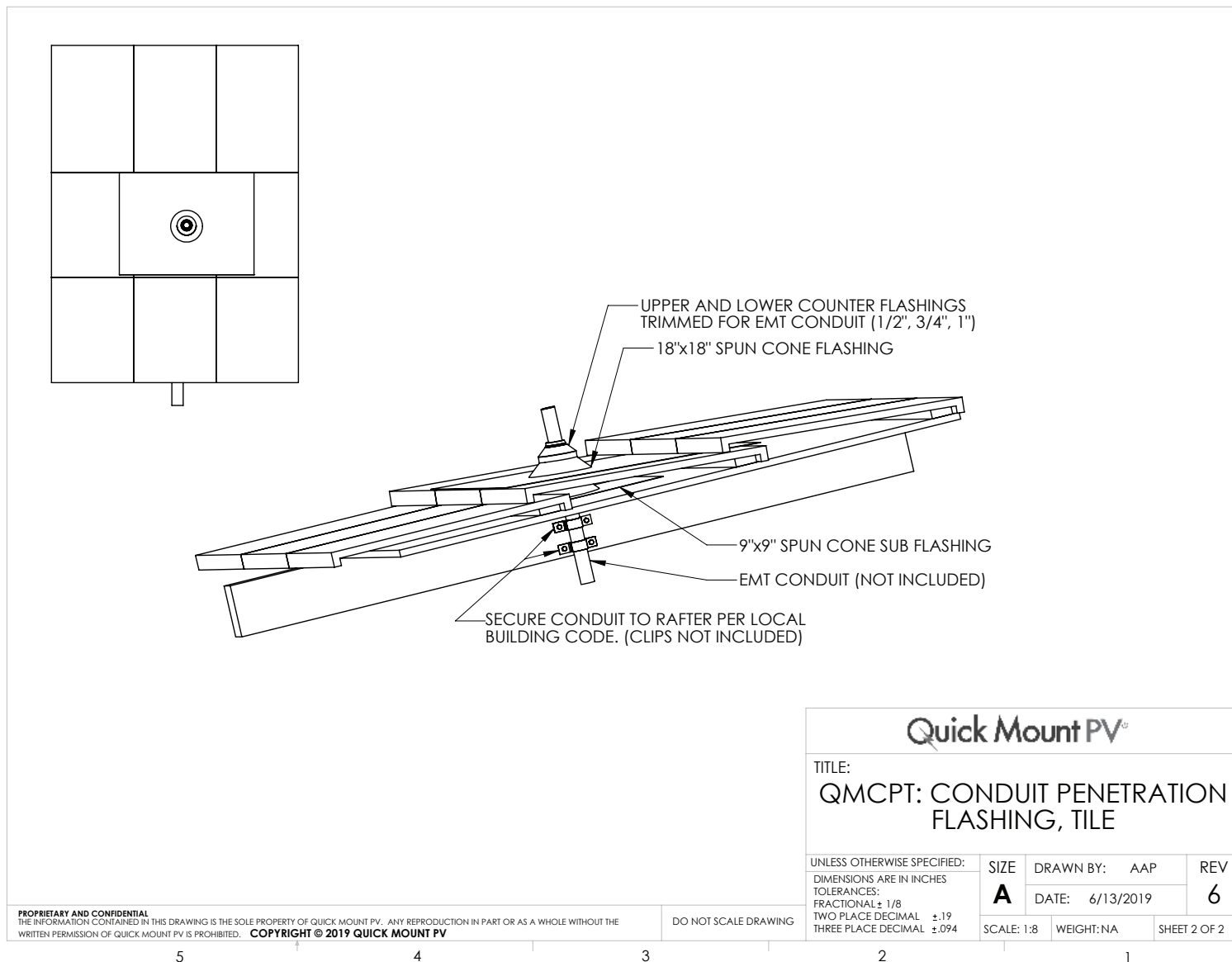
Your conduit penetration flashing is now complete and ready for additional electrical work. Be sure to secure conduit to rafters below the roof surface per local building codes and NEC code requirements.

All roofing manufacturers' written instructions must also be followed. Please consult the roof manufacturer's specs and instructions prior to touching the roof.

WARNING: Quick Mount PV products are NOT designed and should NOT be used to anchor fall protection equipment.

Tile Conduit Penetration Flashing | QMCPT

Drawing 2



925-478-8269 | www.quickmountpv.com | info@quickmountpv.com
 2700 Mitchell Dr. | Walnut Creek, CA 94598