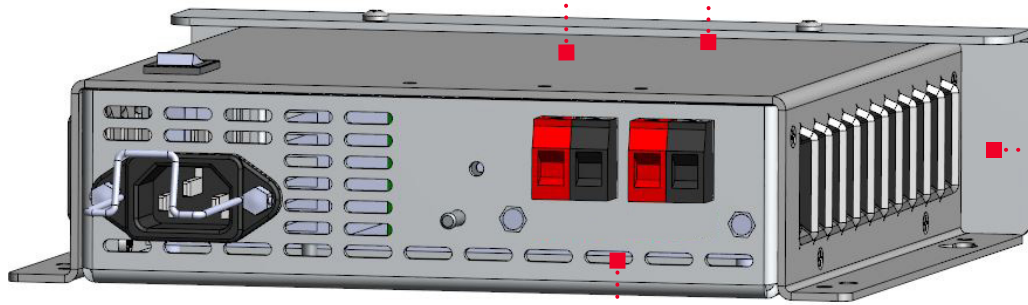




Lighted AC Power Switch and LED Display

Over-Temperature, Output Short Circuit
and Overload Protection



Drip Shield

Custom colored Phoenix VDFK4 terminal blocks

3 YEAR WARRANTY



PWS150 AC SOURCE POWER SUPPLIES

The PWS150 Power Supply provides up to 150 watts continuous or 180 watts intermittent to power one or more loads optimally from a 85-265 VAC source at 50-60 and 400Hz.

The PWS150 is designed to be easily wall-mounted and comes with a drip shield standard for external protection. Internally, the unit is protected against over-temperature, overload, and output short circuit. The unit is built to meet CSA, UL, and CE standards as well as ROHS-complaint.

On the front panel, a bright LED display indicates Output ON, Load Normal, Load Max, and Overload conditions. In addition, two pairs of custom-colored Phoenix VDFK4 terminal blocks provide quick and secure connection to loads, while input connection is provided through a standard IEC320 AC input connector.

Available models

Input

85-265 VAC, 50-60 and 400 Hz

Output

12V

24V

Applications



PWS150 | AC POWER SUPPLY

INPUT

Volts	85 - 265VAC, 1 Phase, 45 - 65 and 400 Hz	
Current (max)	3.0Amps Max at 90 VAC In	
Power Factor	>0.98 at full load (>0.86 @ 400Hz)	

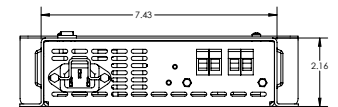
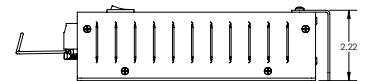
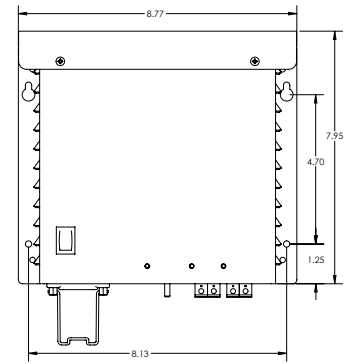
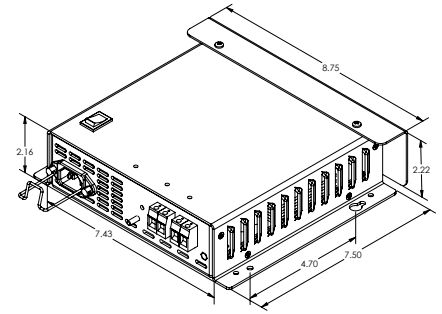
OUTPUT

Nominal Voltage	12 VDC	24 VDC
Output Voltage	13.8 VDC	27.6 VDC
Output Amps Cont/Peak	12A Cont / 15 Peak	6A Cont / 7.5 Peak

MECHANICAL

Dimensions	8.8 in / 22.35 cm Long x 7.95 in / 20.19cm Wide x 2.2 in / 5.59 cm High	
Clearance	1.0 in / 2.5 cm all around	
Weight	3.5 lb / 1.58 kg	
Material and Finish	Marine Grade Black Powdered Aluminum with 18-8 Stainless Fasteners	
Mounting	Wall includes a drip shield	
Connections	Input Connection: IEC320 Output Connection: 2 sets of Phoenix VDFK4 custom colored terminal blocks	
Indicators	Outputs On (1 indicator for both outputs) Output Normal Load (green for each output) Output Max Load (yellow for each output) Output Overload (red for each output)	

DIMENSIONS



ENVIRONMENTAL AND SAFETY

Operating Temperature Range	-15°C to +55°C
Humidity	0 - 95% Relative Humidity (non-condensing) with standard conformal coating
Audible Noise	<40db when fan running
Emissions	Meets FCC Part 15, Class B
Isolation	Input-Case & Input-Output: 2000 VDC, Output-Case: 500VDC
Duty Cycle	Continuous
Warranty	Three Years Parts and Labor
Safety	Built to meet CE, UL458 and CSA 22.2.107.1



ANALYTIC SYSTEMS
Power Conversion Solutions



AnalyticSystems.com



sales@analyticsystems.com



604.946.9981 800.668.3884



8128 River Way
Delta BC V4G 1K5