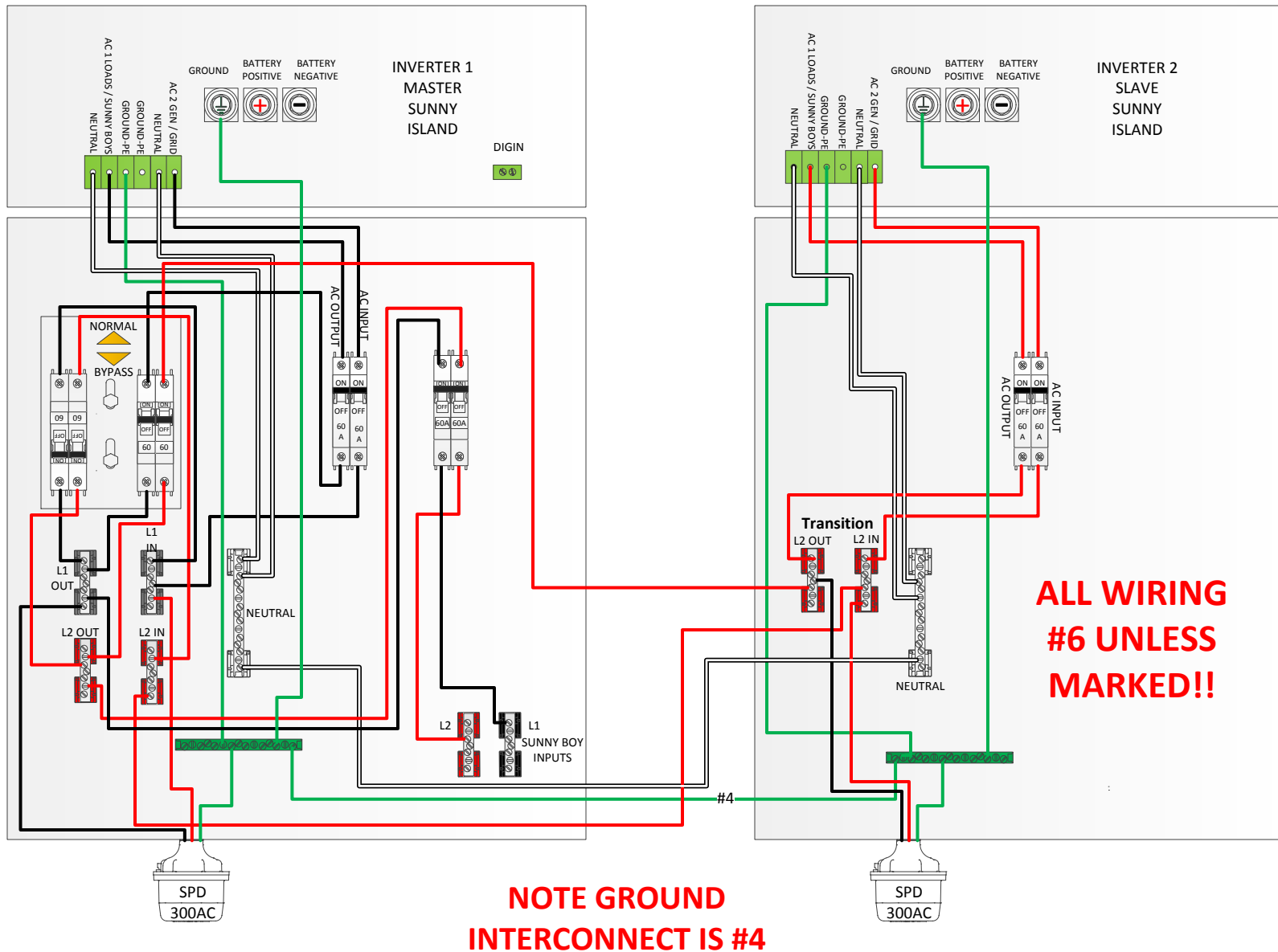


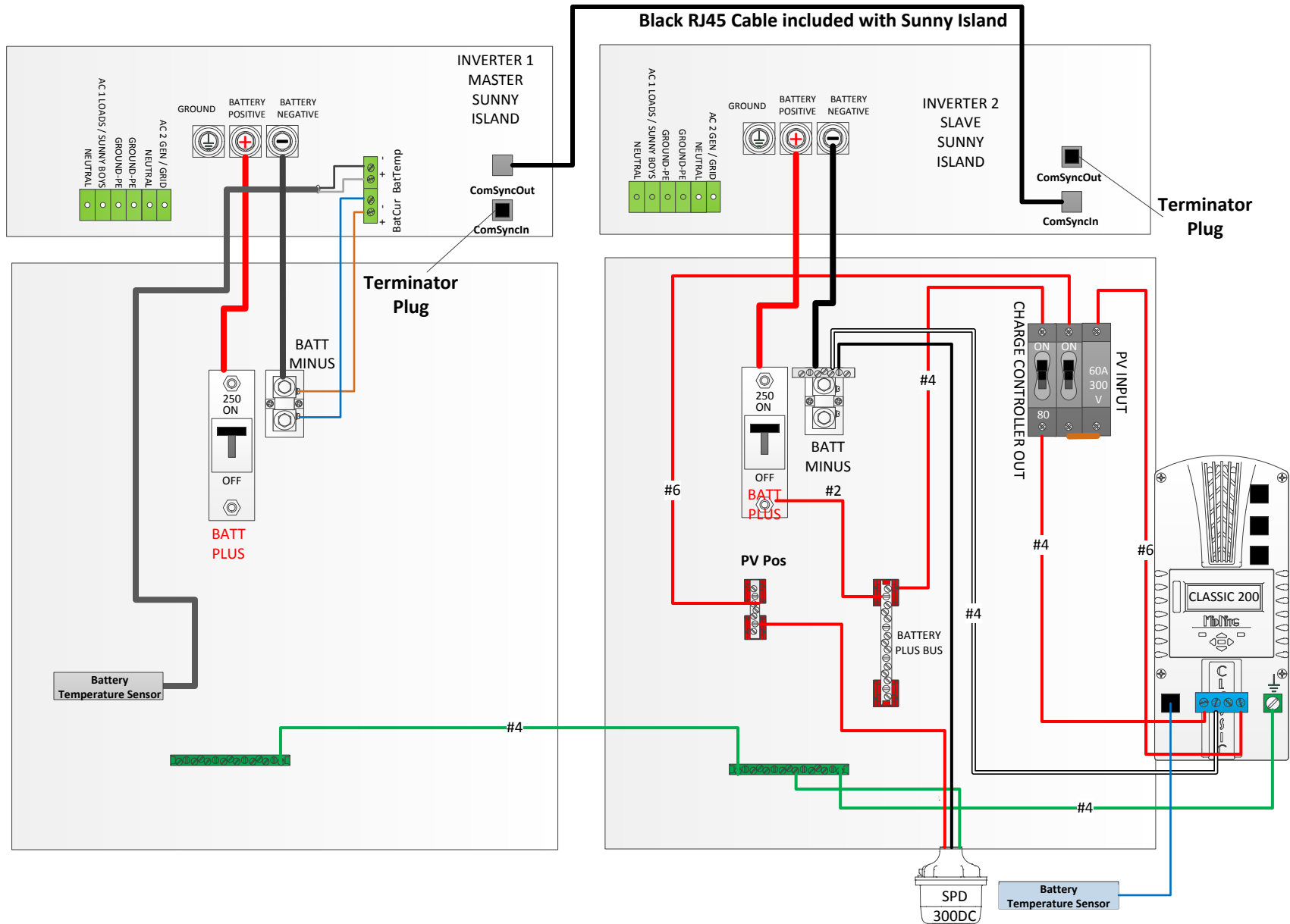
MNSI6048D-ACCPL-CL200 RevF – 1/25/2016

AC WIRING INSTALLED BY MIDNITE SOLAR



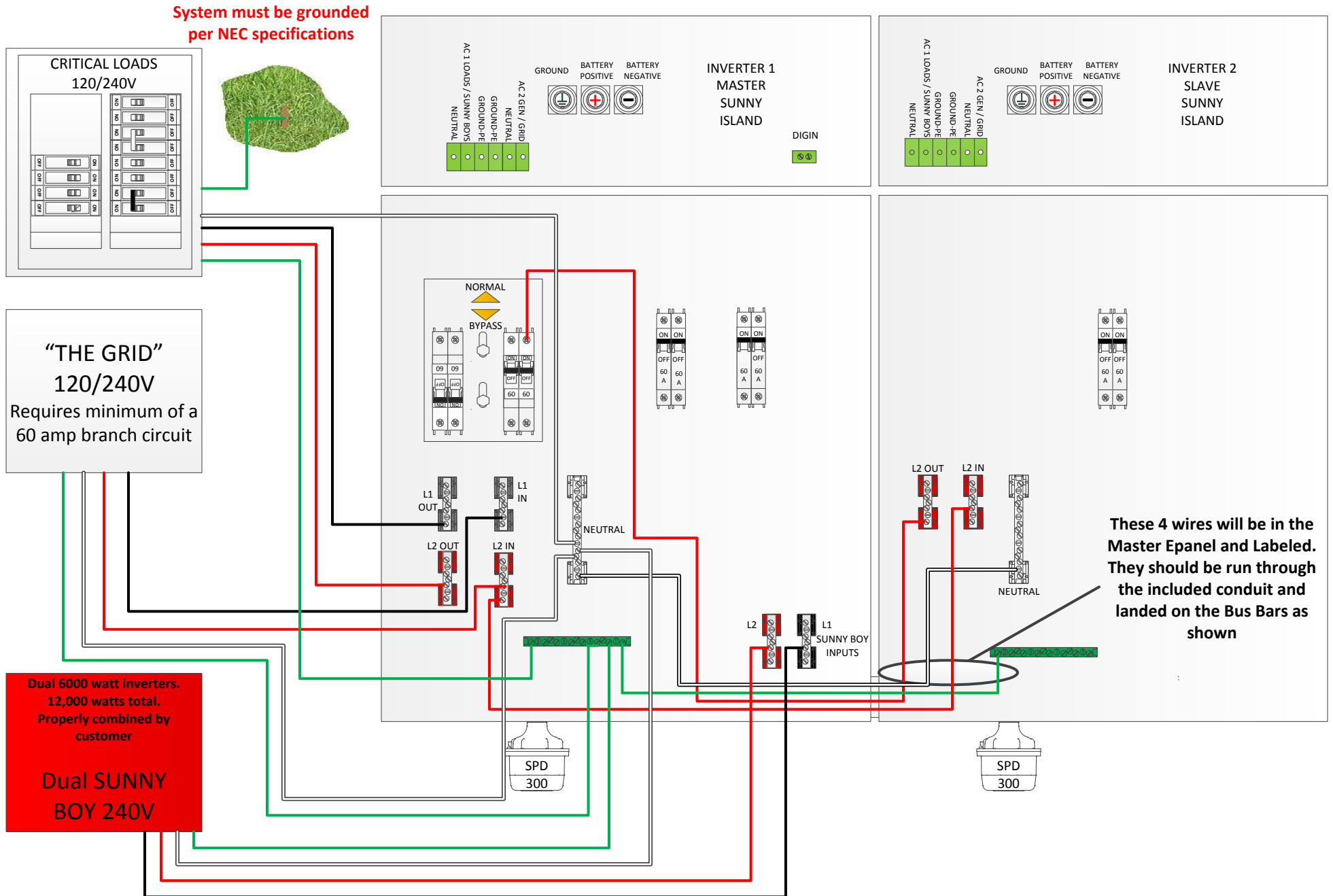
MNSI6048D-ACCPL-CL200 RevF – 1/25/2016

DC AND COMMUNICATION CABLES FACTORY INSTALLED BY MIDNITE SOLAR



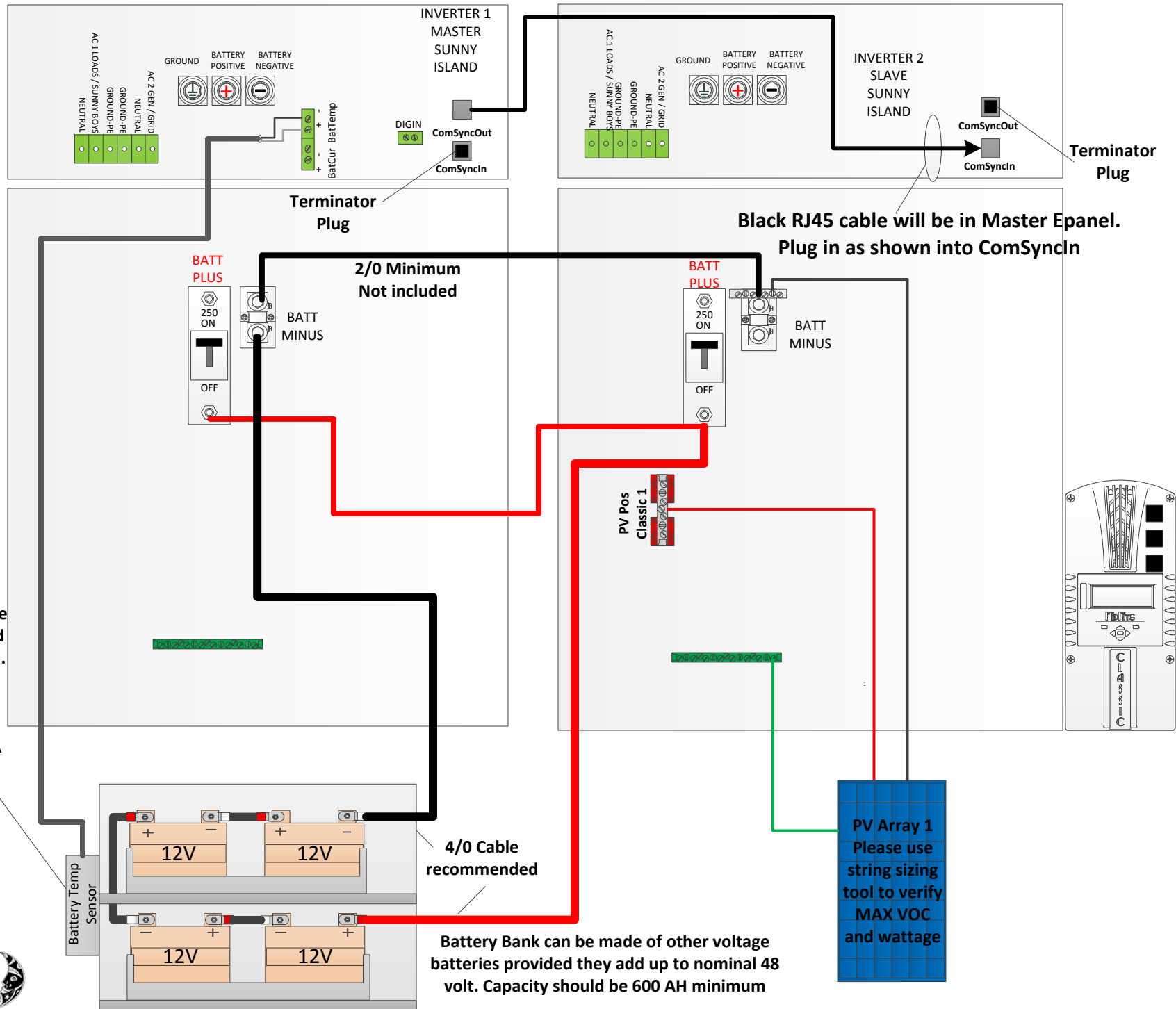
MNSI6048D-ACCPL-CL200-RevF – 1/25/2016

AC WIRING TO BE DONE BY CUSTOMER



MNSI6048D-ACCPL-CL200-RevF – 1/25/2016

CUSTOMER DC AND COMMUNICATIONS WIRING



Battery Temperature sensor will be coiled up in Master Epanel. Attach to battery bank per SMA's Specifications on Page 51 of the SMA Manual

Battery Bank can be made of other voltage batteries provided they add up to nominal 48 volt. Capacity should be 600 AH minimum



Build Notes

- 1- Use 1 Classic 200 charge controllers.
- 2- Use 3 SPD300's 2 for AC 1 for DC
- 3- Requires 1 MNE250SMA-OG/AC-DM and 1 MNE250SMA-Slave E-Panel
- 4- Use 2 MNE SMAXW-Short BP Back Plates
- 5- Use 1 MNEDC80 breaker for Battery side of Classics
- 6- Use 2 MNEDC60-300 breaker for the PV side of Classics
- 7- Classic breakers on Right side of Epanel
- 8- Install the Black RJ45 (Included with SMA) for Com Sync as shown
- 9- Use a MNEAC60-2P breaker for the Sunny Boy input breaker (Black breaker)
- 10- Use a single pole MNEAC60 for the AC In and AC out on the Master E-Panel
- 11- Use a single pole MNEAC60QZD for the AC in on the Slave E-Panel
- 12- Use a single pole MNEAC60QZD for the AC out on the Slave E-Panel
- 13- DC Wiring for Classics to be #4
- 14- Verify all Labels are correct and match the drawing
- 15- Verify all loose AC and Comm cables in the Master are labeled for customer
- 16- Follow proper test procedures to confirm SI, Classics
- 17- Make sure to set the Sunny Island back to default battery chemistry after test
- 18- Send all Pages to the Customer.

Signed by Builder _____