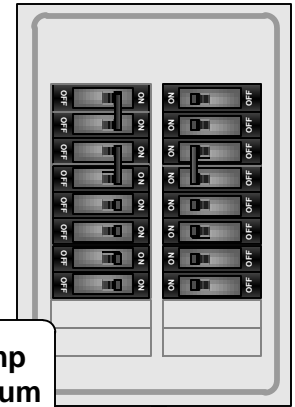
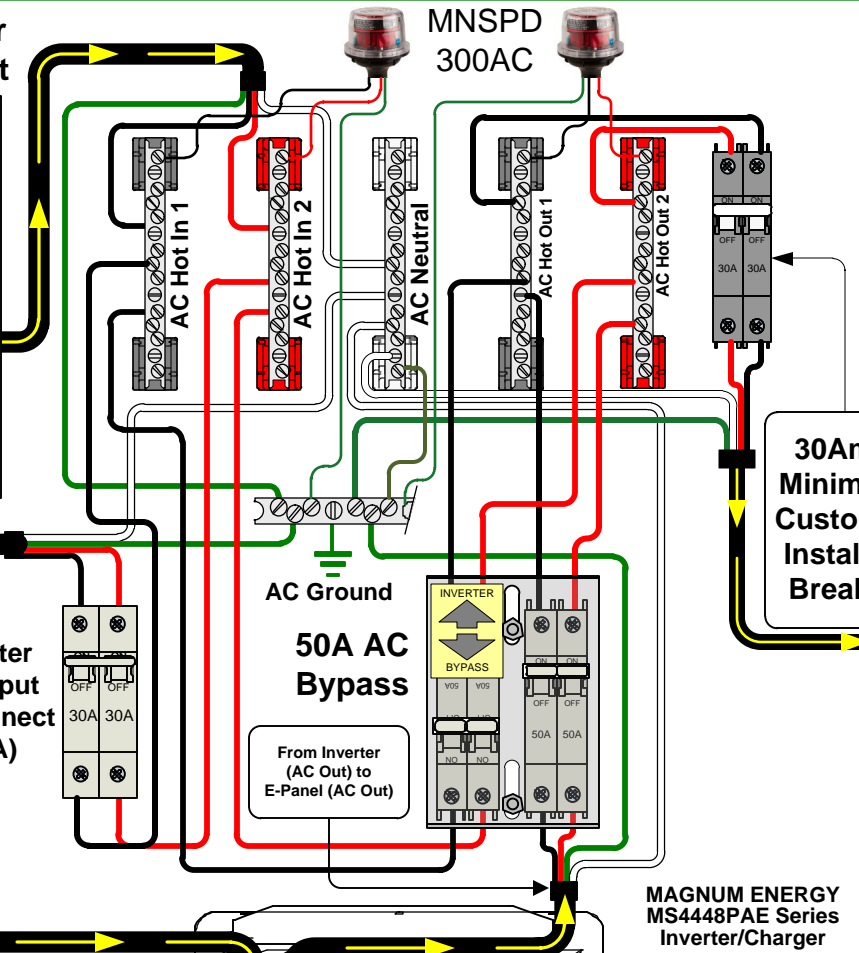
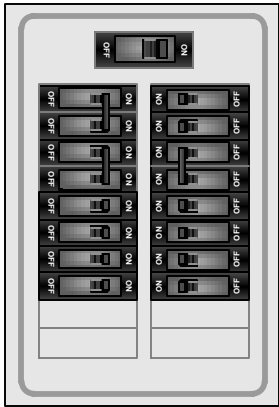


Utility or Generator
120/240VAC Output

MNSPD
300AC

120/240VAC
Load Panel



30Amp
Minimum
Customer
Installed
Breaker

From
E-Panel
(AC In)
to
Inverter
(AC In)

AC Ground
50A AC
Bypass

From
E-Panel
(AC out)
to
Load
Center

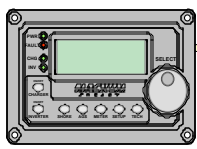
MAGNUM ENERGY
MS4448PAE Series
Inverter/Charger

Optional Breakers/Disconnects
(6 spaces max @ 13mm)

AC WIRING

DC WIRING

Remote Control RC-50,
ARC50 or Magnum Router



Battery
Temperature
Sensor

DC -
Buss

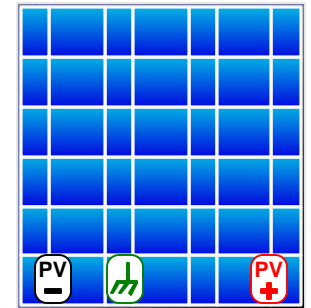
DC
Shunt

Main Battery
Shutoff 175A

DC +
Buss

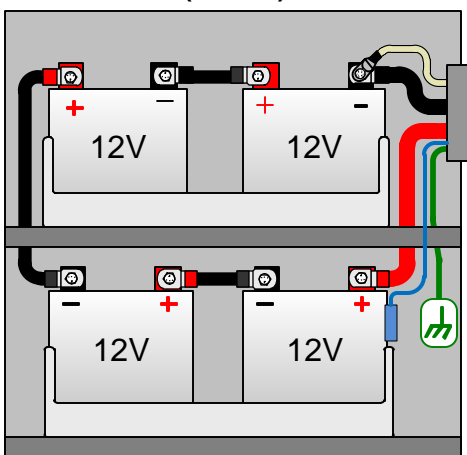
MIDNITE SOLAR
Classic 150
Controller

PV Panels



PV +
Buss

Battery Bank
(48VDC)



DC
Ground

PV Output MNEDC100

PV + Input
MNEDC70

MNSPD
300DC

Note AC and DC Grounds go to the Same
BusBar, Drawn Separate for clarity