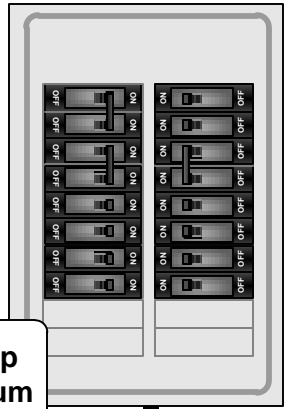
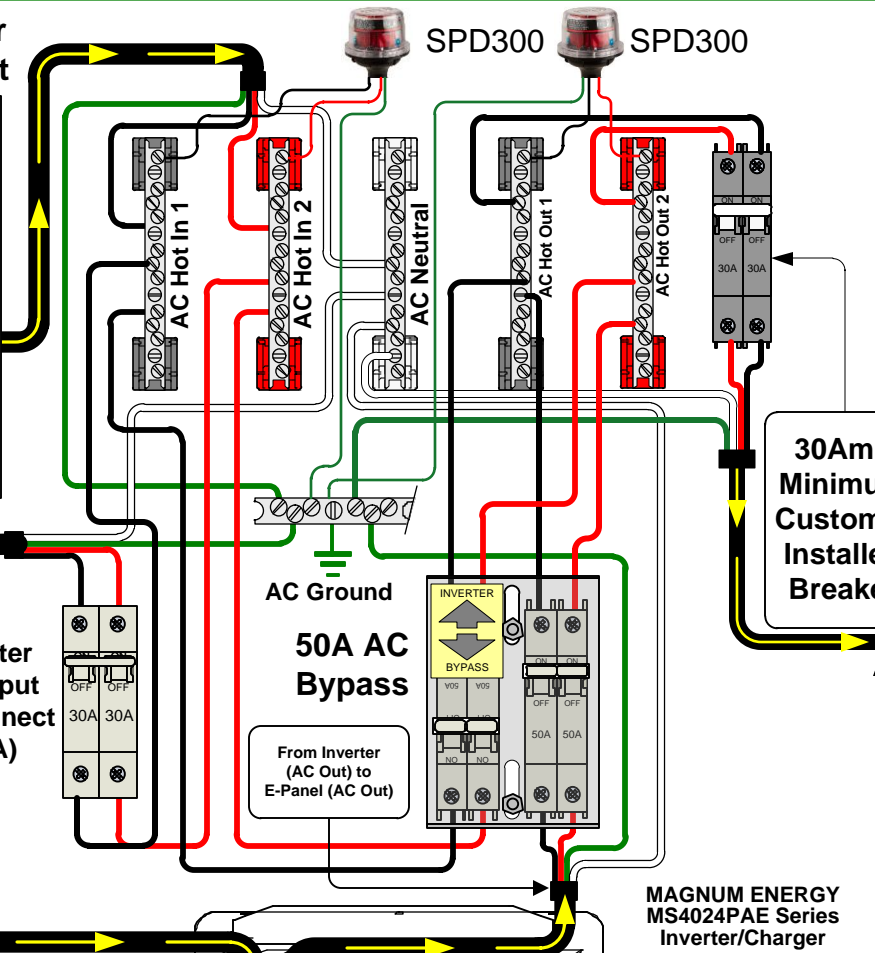
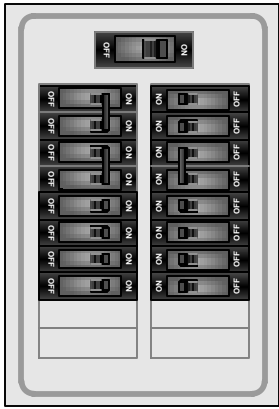


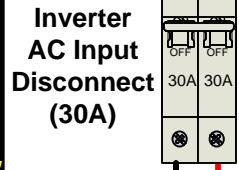
Utility or Generator
120/240VAC Output

SPD300 SPD300

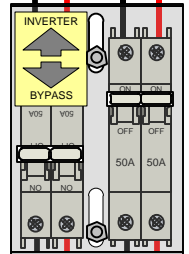
120/240VAC
Load Panel



From E-Panel (AC In) to Inverter (AC In)



AC Ground
50A AC Bypass



30Amp Minimum Customer Installed Breaker

From E-Panel (AC out) to Load Center

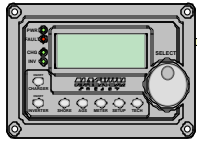
MAGNUM ENERGY MS4024PAE Series Inverter/Charger

Optional Breakers/Disconnects (6 spaces max @ 13mm)

AC WIRING

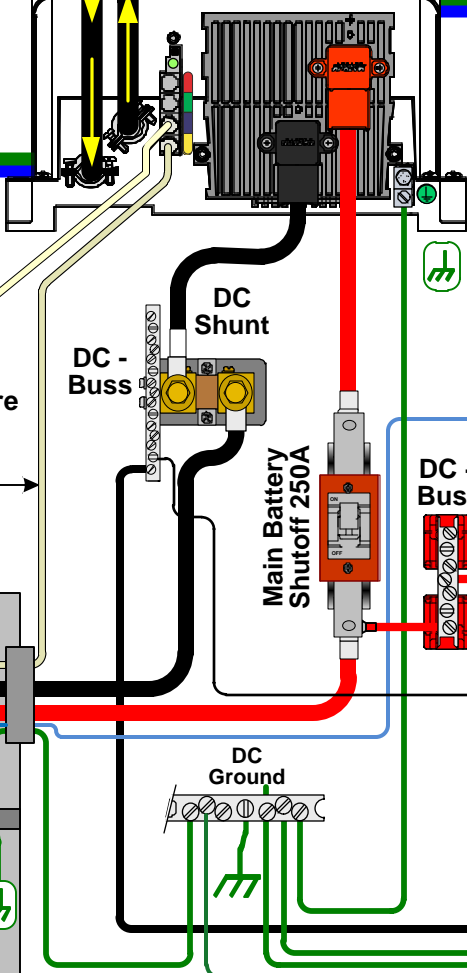
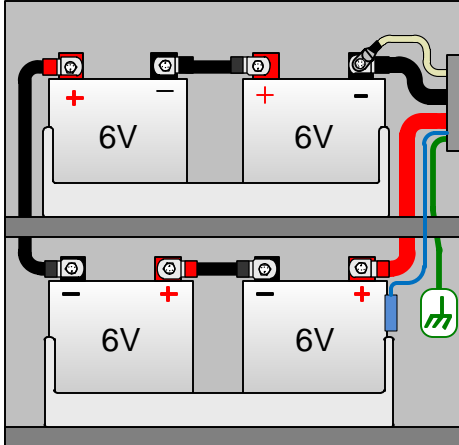
DC WIRING

Remote Control RC-50, ARC50 or Magnum Router



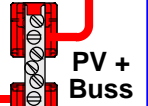
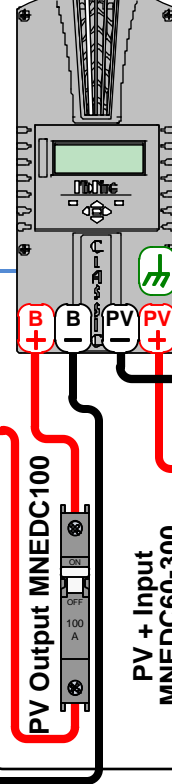
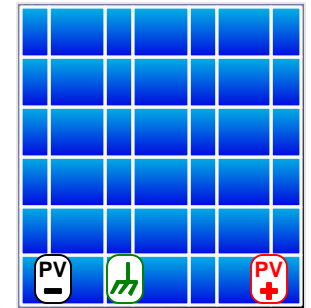
Battery Temperature Sensor

Battery Bank (24VDC)



MIDNITE SOLAR Classic 200 Controller

PV Panels



SPD300

Note AC and DC Grounds go to the Same BusBar, Drawn Separate for clarity