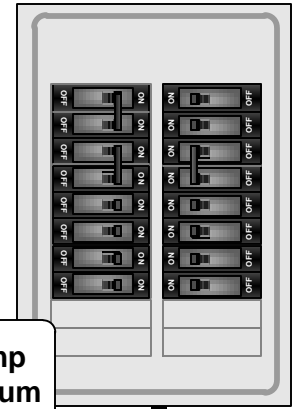
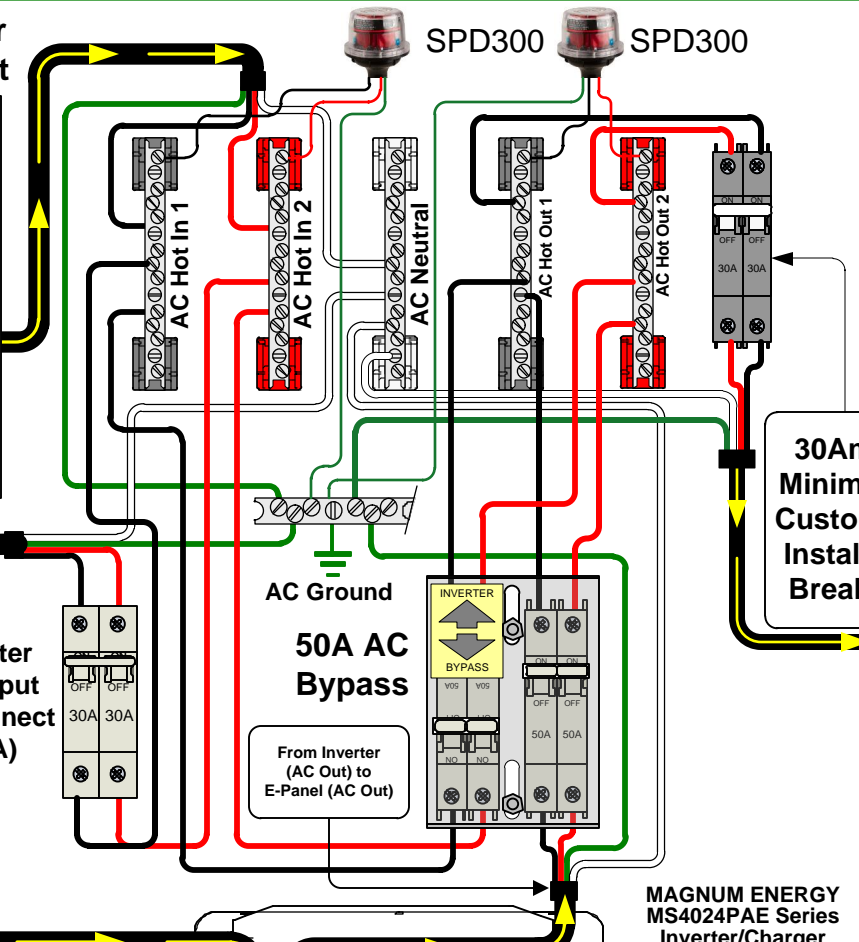
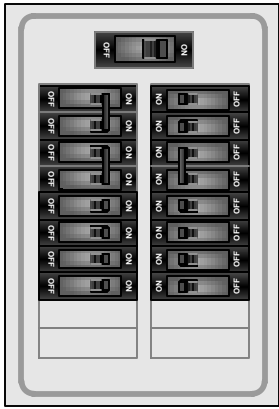


Utility or Generator
120/240VAC Output

SPD300 SPD300

120/240VAC
Load Panel



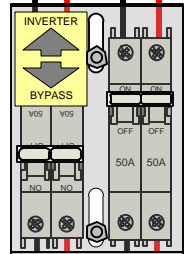
30Amp
Minimum
Customer
Installed
Breaker

From
E-Panel
(AC In)
to
Inverter
(AC In)

Inverter
AC Input
Disconnect
(30A)

AC Ground
50A AC
Bypass

From Inverter
(AC Out) to
E-Panel (AC Out)



MAGNUM ENERGY
MS4024PAE Series
Inverter/Charger

From
E-Panel
(AC out)
to
Load
Center

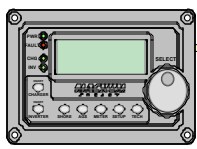
Optional Breakers/Disconnects
(6 spaces max @ 13mm)

AC WIRING

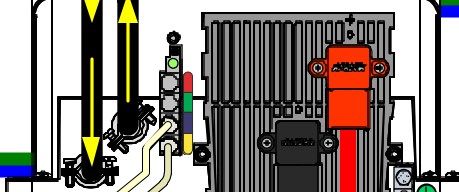
DC WIRING

Classic 200's

Remote Control RC-50,
ARC50 or Magnum Router



Battery
Temperature
Sensor

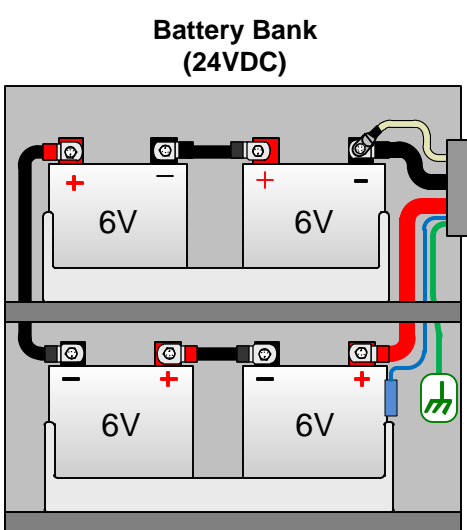


DC- and
PV-
Buss

DC
Shunt

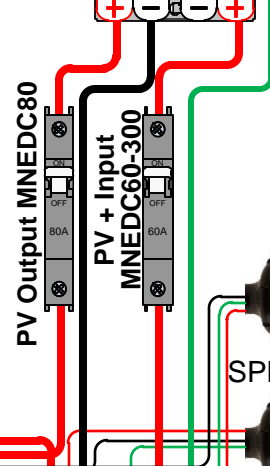
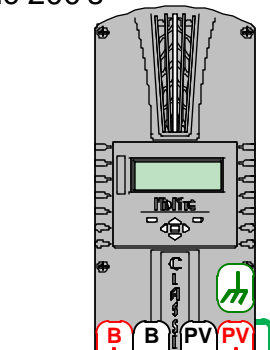
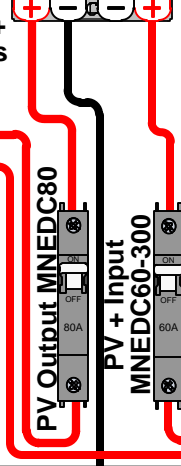
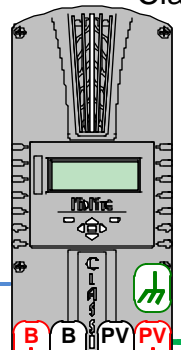
Main Battery
Shutoff 250A

DC +
Buss



Battery Bank
(24VDC)

DC
Ground



SPD-300

SPD-300

Note AC and DC Grounds go to the Same
BusBar, Drawn Separate for clarity

