



Programmable Low Voltage Shutdown

Overload Protected

Short Circuit Protected

DSP Controlled



Programmable Frequency

Over Temperature Protected

Hardwire AC Output Connection

Programmable Output Voltage

**3 YEAR WARRANTY**



**IPSi1200 INTELLIGENT PURE SINE INVERTER**

Digital Signal Processor controlled high power MosFet technology creates a low voltage Sine-Wave that is fed into a compact toroidal step-up transformer to create a very clean low EMI AC output.

Using the free to download 'Power Wizard' software, the user can select output frequency, output voltage, output frequency and low voltage shutdown parameters from any laptop through the standard micro-usb interface.

Safety features include current limiting, short circuit protection, inrush protection (during connection to the DC source), overtemperature de-rating and shutdown and low input voltage warning and shutdown.

An Off-Line UPS options allows external AC to be routed through the inverter for high power UPS function if the external AC fails.

**Available models**

**Input**

- 12 VDC
- 24, 28, 32, or 36 VDC
- 48 or 72 VDC

**Output**

- 110 VAC, 50 or 60 Hz
- 220 VAC, 50 or 60 Hz

**Applications**



# IPSi1200 | INTELLIGENT PURESINE INVERTER

## INPUT

Nominal (ip)	12 VDC	24, 28, 32 or 36 VDC	48 or 72 VDC
Actual (VDC)	11 - 15	20 - 50	40 - 90
Input Fuse (external user supplied)	120	60	30

## OUTPUT

Output Nominal (op)	110	220
Output Volts (AC)	110 ± 10 VAC (user adjustable)	220 ± 20 VAC (user adjustable)
Output Amps	10 A (cont) / 12 A (peak)	5 A (cont) / 6 A (peak)
Output Frequency	50.00 or 60.00 Hz ± 0.01 Hz (user selectable)	
Output Distortion	< 2% at 1200 Watts into resistive load	
Regulation (Line & Load)	< +/- 2.0%	
Duty Cycle	Continuous 100% for 24 hours per day	
Efficiency	> 90% @ Maximum Output	

## MECHANICAL

Dimensions	13.4 in +/- 0.1 in / 33.9 cm +/- 0.3 cm Long 9.4 in +/- 0.1 in / 23.8 cm +/- 0.3 cm Wide (including mounting flanges) 7.7 in +/- 0.1 in / 19.6 cm +/- 0.3 cm High
Clearance	1.0 in / 2.5 cm all around
Weight	30 lb / 13.6 kg
Material and Finish	Marine Grade Black Anodized Aluminum with 18-8 Stainless Fasteners
Mounting	Shelf Mount
Connections	DC In – Marathon ST722B2502UH, 175 Amp, 300V Rating c/w Protective Snap On Cover AC Out – 1 x NEMA 5-15 receptacle or 1 x 16A 250V CEE 7/7 receptacle with circuit breaker protection, plus one 30A hardwire connection AC In – one 30A hardwire connection (with Off-Line UPS Option)

## ENVIRONMENTAL AND SAFETY

Operating Temperature Range	-25°C to +40°C @ maximum output. Derate Linearly 2.5% per °C from 40°C (Optional -40°C wide temperature range available)
Humidity	0 - 95% Relative Humidity (non-condensing) with standard conformal coating
Audible Noise	Fan Speed Dependent (34.5 dB @ 3ft @ max fan speed)
Isolation	Input-Case, Input-Output and Output-Case 1500 VDC
Warranty	Three years parts and labor
Safety	Built to CSA 22.2.107.1 & UL458 standards

## OPTIONS

AC Detect and Auto-switch  
(Off-line UPS)

COTS - MIL-STD-461F and  
MIL-STD-810G In-house test & report

MIL-STD-461F  
Stand alone test & report

MIL-STD-810G  
Stand alone test & report

European ROHS compliant  
(Lead Free Manufactured)

Military Rugged Package  
with MIL Connectors

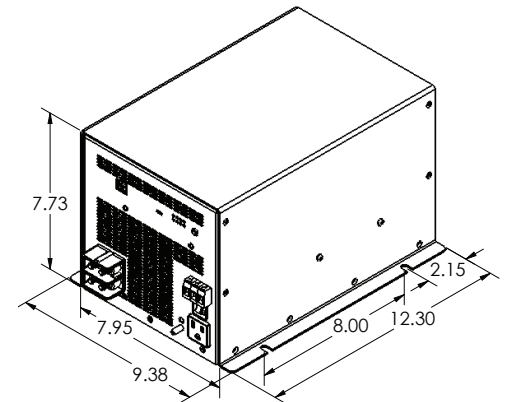
Safety Special Inspection (CSA/UL)

Integrated Digital Volt/Ammeter

IP66 or IP67 Water Resistant Chassis

Heavy duty ruggedization with wide  
temperature range

## DIMENSIONS



**ANALYTIC SYSTEMS**  
Power Conversion Solutions



AnalyticSystems.com



sales@analyticsystems.com



604.946.9981 800.668.3884



8128 River Way  
Delta BC V4G 1K5